
**TECHNICAL BULLETIN
INSTALLATION INSTRUCTIONS
FOR GATEWAY VEHICLE WITH AMTECH TOP**

FOR SYSTEMS

**SINGLE CHANNEL GROUND AND AIRBORNE
RADIO SYSTEM (SINGARS)
AN/VRC-88F, AN/VRC-90F**

**FORCE XXI BATTLE COMMAND, BRIGADE-AND-BELOW (FBCB2)
AN/UYK-128 (V)4**

**PRECISION LIGHTWEIGHT GPS RECEIVER (PLGR)
AN/PSN-11**

**ENHANCED POSITION LOCATION REPORTING SYSTEM (EPLRS)
AN/VSQ-2 (V)**

**NEAR TERM DIGITAL RADIO (NTDR)
RT-1812**

QUICK-ERECT ANTENNA MASTS (QEAM)

SUPPLEMENTAL BATTERIES

FOR VEHICLES

**TRUCK, UTILITY, 2/4-DOOR: CARGO/TROOP CARRIER, 1-1/4 TON, 4X4,
M998 (2320-01-107-7155) (EIC: BBD); M998A1 (2320-01-371-9577) (EIC: BBN);**

**TRUCK, UTILITY, 2/4-DOOR: HEAVY VARIANT, 1-1/4 TON, 4X4,
M1097 (2320-01-346-9317) (EIC: BBM); M1097A1 (2320-01-371-9583) (EIC: BBU)
M1097A2 (2320-01-380-8604) (EIC: BB6).**

Approved for public release; distribution is unlimited.

HEADQUARTERS, DEPARTMENT OF THE ARMY

SEPTEMBER 2005

LIST OF EFFECTIVE PAGES

NOTE

A vertical line in the outer margins of the page indicates the portion of text affected by the change.

Dates of issue for original and change pages are:

Original 0 17 September 2005

TOTAL NUMBER OF PAGES IN THIS PUBLICATION IS 125 PAGES.

Page No.	*Change No.
i-iii/iv (blank)	0
1-1 – 5-101/(5-102 blank)	0

*Zero in this column indicates original page.

TECHNICAL BULLETIN
NO. 9-2320-280-35-11

HEADQUARTERS,
DEPARTMENT OF THE ARMY
WASHINGTON, D.C., 17 SEPTEMBER 2005

**TECHNICAL BULLETIN
INSTALLATION INSTRUCTIONS
FOR GATEWAY VEHICLE WITH AMTECH TOP**

FOR SYSTEMS

**SINGLE CHANNEL GROUND AND AIRBORNE
RADIO SYSTEM (SINCGARS)
AN/VRC-88F, AN/VRC-90F**

**FORCE XXI BATTLE COMMAND, BRIGADE-AND-BELOW (FBCB2)
AN/UYK-128 (V)4**

**PRECISION LIGHTWEIGHT GPS RECEIVER (PLGR)
AN/PSN-11**

**ENHANCED POSITION LOCATION REPORTING SYSTEM (EPLRS)
AN/VSQ-2 (V)**

**NEAR TERM DIGITAL RADIO (NTDR)
RT-1812**

QUICK-ERECT ANTENNA MASTS (QEAM)

**SUPPLEMENTAL BATTERIES
FOR VEHICLES**

**TRUCK, UTILITY, 2/4-DOOR: CARGO/TROOP CARRIER, 1-1/4 TON, 4X4,
M998 (2320-01-107-7155) (EIC: BBD); M998A1 (2320-01-371-9577) (EIC: BBN);**

**TRUCK, UTILITY, 2/4-DOOR: HEAVY VARIANT, 1-1/4 TON, 4X4,
M1097 (2320-01-346-9317) (EIC: BBM); M1097A1 (2320-01-371-9583) (EIC: BBU)
M1097A2 (2320-01-380-8604) (EIC: BB6).**

REPORTING ERRORS AND RECOMMENDING IMPROVEMENTS

You can help improve this publication. If you find any mistakes or if you know of a way to improve the procedures, please let us know. Submit your DA Form 2028 (Recommended Changes to Equipment Technical Publications), through the Internet, on the Army Electronic Product Support (AEPS) website. The Internet address is <https://aeps.ria.army.mil>. The DA Form 2028 is located under the Public Applications section in the AEPS Public Home Page. Fill out the form and click on SUBMIT. Using this form on the AEPS will enable us to respond quicker to your comments and better manage the DA Form 2028 program. You may also mail, fax or E-mail your letter or DA Form 2028 direct to: AMSTA-LC-LMIT / TECH PUBS, TACOM-RI, 1 Rock Island Arsenal, Rock Island, IL 61299-7630. The email address is TACOM-TECH-PUBS@ria.army.mil. The fax number is DSN 793-0726 or Commercial (309) 782-0726.

Approved for public release; distribution is unlimited.

TABLE OF CONTENTS

	Page
LIST OF TABLES	iii
CHAPTER 1. INTRODUCTION	1-1
Section I. Scope	1-1
Section II. Notes	1-1
Section III. General Information	1-1
Section IV. Maintenance Forms, Records, and Reports	1-1
Section V. Consolidated Index of Army Publications	1-1
CHAPTER 2. PURPOSE OF INSTALLATION	2-1
CHAPTER 3. COMPLETION TIME FOR INSTALLATION	3-1
CHAPTER 4. PREPARATION FOR INSTALLATION	4-1
Section I. Preparation of Vehicle	4-1
Section II. Items to be Removed	4-1
Section III. List of Items to be Retained	4-1
Section IV. Preparation of C4ISR Equipment	4-1
Section V. Precautions During Handling	4-1
Section VI. Unpack and Inspect Equipment	4-1
Section VII. Inventory C4ISR Equipment	4-1
Section VIII. Examine Each Item for Damage	4-2
Section IX. C4ISR Equipment, Distribution, and Consumables	4-2
Section X. Distribution and Issue Instructions	4-2
Section XI. Parts List	4-2
CHAPTER 5. INSTALLATION PROCEDURES	5-1
Section I. Scope	5-1
Section II. Installation of Terminal Boards	5-1
Section III. Panel Modifications	5-1
Section IV. Terminal Board, Cover, and Link Modification	5-3
Section V. B-Beam Preparation	5-4
Section VI. Assembly of Cab Enclosure Panel	5-5
Section VII. Final Assembly, Terminal Board Wiring, and Terminal Link	5-6
Section VIII. Integrated Rack Installation	5-11
Section IX. Installation of SINCGARS Mounting Tray and Amp Guard	5-13
Section X. Power Amplifier Installation	5-14
Section XI. FBCB2 Components Installation	5-16
Section XII. Loudspeaker and Multi-Net Rack Installation	5-18

TABLE OF CONTENTS (Contd)

		Page
Section XIII.	Left-Side EPLRS Antenna Installation	5-23
Section XIV.	Right-Side EPLRS Antenna Installation	5-24
Section XV.	Left-Side SINGARS Antenna Installation	5-25
Section XVI.	Right-Side SINGARS Antenna Installation	5-29
Section XVII.	Charge Control Box Installation	5-33
Section XVIII.	Right-Side EPLRS Mount Installation	5-34
Section XIX.	Left-Side EPLRS Mount Installation	5-35
Section XX.	NTDR Mount Installation	5-36
Section XXI.	EPLRS User Readout (URO) on Multi-net Rack Installation	5-37
Section XXII.	EPLRS Mounting Bracket on Right Wheelwell Installation	5-38
Section XXIII.	EPLRS User Readout (URO) on Right Wheelwell Installation	5-40
Section XXIV.	Charger Installation	5-41
Section XXV.	QEAM Mounting: Antennas and Brackets	5-43
Section XXVI.	SINGARS Antenna Cables Installation	5-47
Section XXVII.	PLGR Bracket Installation	5-51
Section XXVIII.	PLGR Antenna and Cable Installation	5-52
Section XXIX.	Loudspeaker Cables Installation	5-58
Section XXX.	NTDR Power and UHF Cable Installation	5-60
Section XXXI.	Right EPLRS Antenna Cable Installation	5-62
Section XXXII.	Left-Side EPLRS Antenna Cable and NTDR Antenna Cable Installation	5-64
Section XXXIII.	EPLRS on Wheelwell Antenna Cable Installation	5-66
Section XXXIV.	EPLRS Power Cable and INC-EPUU Cable Installation	5-68
Section XXXV.	C4ISR Power Cables Installation	5-75

LIST OF TABLES

Table	Title	Page
4-1.	Kits Parts List for Installation of C4ISR Equipment	4-3
4-2.	Non-Kit Parts List for Installation of C4ISR Equipment	4-5

CHAPTER 1

INTRODUCTION

Section I. SCOPE

- 1-1.** This technical bulletin provides installation instructions for Command, Control, Communications, Computers, Intelligence, Surveillance, and Reconnaissance (C4ISR) equipment. The C4ISR equipment shall be installed in the following vehicles:
- a. Truck, Utility, 2/4-Door: Cargo/Troop Carrier, 1-1/4 Ton, 4x4, M998, M998A1
 - b. Truck, Utility, 2/4-Door: Heavy Variant, 1-1/4 Ton, 4x4, M1097, M1097A1, M1097A2
- 1-2.** The information contained in this technical bulletin is the official authorization to perform the installation of the C4ISR equipment at the direct support maintenance level through contract maintenance teams.

Section II. NOTES

- 2-1.** This technical bulletin is not an authorization for requisition or turn-in of vehicles.
- 2-2.** This technical bulletin does not establish quantity or types of vehicles assigned to using units.

Section III. GENERAL INFORMATION

- 3-1.** Included in the C4ISR equipment are:
- a. Single Channel Ground and Airborne Radio System (SINCGARS), AN/VRC-88F, AN/VRC-90F.
 - b. Force XXI Battle Command, Brigade-and-Below (FBCB2), AN/UYK-128 (V)4
 - c. Precision Lightweight Global Positioning System Receiver (PLGR), AN/PSN-11
 - d. Enhanced Position Location Reporting System (EPLRS), AN/VSQ-2 (V)
 - e. Near Term Digital Radio (NTDR) RT-1812
 - f. Quick-Erect Antenna Mount (QEAM)
 - g. Supplemental Batteries
 - h. Additional terminal boards
- 3-2.** The C4ISR equipment becomes operable when all the components are installed in the vehicle and correct power is supplied.

Section IV. MAINTENANCE FORMS, RECORDS, AND REPORTS

Use the following to report any discrepancies:

- a. Reports of Maintenance and Unsatisfactory Equipment. See chapter 4, sections VI through VIII for information.
- b. Reports of Packaging and Handling Deficiencies. See chapter 4, sections VI through VIII for information.

Section V. CONSOLIDATED INDEX OF ARMY PUBLICATIONS

Refer to the latest issue of DA PAM 25-30 to determine whether there are new changes or additional publications pertaining to the C4ISR equipment.

CHAPTER 2

PURPOSE OF INSTALLATION

The purpose of installing the C4ISR equipment is to provide the primary means of integrating command and control capability.

CHAPTER 3

COMPLETION TIME FOR INSTALLATION

A total of 20 man hours are required for two personnel to install the C4ISR equipment. Typical vehicle downtime is 12 hours.

CHAPTER 4

PREPARATION FOR INSTALLATION

Section I. PREPARATION OF VEHICLE

Ensure that the site includes adequate lighting and a power source when drilling is required. Inspect the vehicle for damage that could affect installation. Have any such damage repaired before installing the C4ISR equipment.

Section II. ITEMS TO BE REMOVED

- 2-1. Remove batteries. (Refer to TM 9-2320-280-20.)
- 2-2. Remove left- and right-hand rear door, as applicable. (Refer to TM 9-2320-280-20.)
- 2-3. Remove left- and right-hand rear cab enclosure panel, as applicable. (Refer to TM 9-2320-280-20.)
- 2-4. Remove center tunnel insulation, as applicable. (Refer to TM 9-2320-280-20.)
- 2-5. Remove standard radio rack. (Refer to TM 9-2320-280-20.)

Section III. LIST OF ITEMS TO BE RETAINED

- 3-1. Batteries.
- 3-2. Left- and right-hand rear cab enclosure panel (if applicable).
- 3-3. Left- and right-hand rear fixed door (if applicable).

Section IV. PREPARATION OF C4ISR EQUIPMENT

Unpack, inspect, and check inventory.

Section V. PRECAUTIONS DURING HANDLING

Observe the following precautions to prevent equipment damage.

- a. Keep dust covers in place on connectors.
- b. Do not disassemble or modify parts in the C4ISR equipment unless authorized to do so.
- c. Keep mounting hardware covered and protected until needed.

Section VI. UNPACK AND INSPECT EQUIPMENT

- 6-1. Unpack and inspect packaging for evidence of damage.
- 6-2. Report any shipping damage on SF 364 Report of Discrepancy (ROD) as prescribed in AR 735-11-2/DLAR 4140.55/NAVMATINST 4355.73A/AFR 400-64/MCO 4430.F.

Section VII. INVENTORY C4ISR EQUIPMENT

If any item is missing, fill out and forward Transportation Discrepancy Report (TDR) (SF 361) as described in AR 55-38/NAVSUPINST 4610.33C/AFR 75-18/MCO P4610.19D/DLAR 450015.

Section VIII. EXAMINE EACH ITEM FOR DAMAGE

If any item is damaged, fill out and forward SF 364 Report of Discrepancy (ROD) as prescribed in AR 735-11-2/DLAR 4140.55/NAVMATINST 4355.73A/AFR 400-64/MCO 4430.F. All damage should be reported as prescribed by DA PAM 738-750, as contained in the Maintenance Management Update.

Section IX. C4ISR EQUIPMENT, DISTRIBUTION, AND CONSUMABLES

- 9-1. Items supplied in C4ISR equipment and/or required for installation.
- 9-2. Use table 4-1 to identify and inventory C4ISR equipment parts required to perform installation. Refer to table 4-2 to identify additional materials required to install C4ISR equipment.

Section X. DISTRIBUTION AND ISSUE INSTRUCTIONS

- 10-1. U.S. Forces: Do not requisition C4ISR equipment. It will be shipped automatically.
- 10-2. U.S. Army Depots: Requisition C4ISR equipment through supply channels.
- 10-3. Multiservice: Instructions shall be included for multiservice modifications.
- 10-4. MAP/MAS countries: Instructions shall be provided for MAP/MAS countries.

Section XI. PARTS LIST

KITS REQUIRED FOR THIS INSTALLATION:

NOTE

- Not all material in kits is required for this installation. Material not used during installation will be returned to stock for disposition in accordance with AR 725-50.
- If maintenance is to be performed on a vehicle with an existing kit, do not order entire kit for necessary reinstallation.

SINGARS:

- (A): MK-2325
- (B): MK-2328

NTDR:

(G): No kits available

PLGR:

- (C): 57K4400

QEAM:

(H): No kits available

EPLRS:

- (D): MK-2467A/VSQ-1
- (E): MK-2753/VSQ

SUPPLEMENTAL BATTERIES:

(I): No kits available

FBCB2:

- (F): No kits available

MATERIAL REQUIRED FROM KITS:*Table 4-1. Kit Parts List for Installation of CAISR Equipment.*

ITEM NO.	NOMENCLATURE	PART NUMBER	NSN	KIT	QTY.
1.	Antenna	A3005031	5820-01-183-9462	(C)	2
2.	Bracket, Antenna	A3014546-1	5340-01-391-2742	(A)	2
3.	Bracket, Double-Angle	A3046237	5340-01-262-9566	(D)	2
4.	Bracket, PLGR Mount	12480578	N/A	(B)	1
5.	Bracket, Radio Rack Mounting	A3046235	5340-01-262-9563	(D)	2
6.	Bracket, User Readout (URO)	A3006206-2	5340-01-386-7841	(C)	3
7.	Cable Assembly, Antenna	A3014031-17	5995-01-225-1660	(A)	1
8.	Cable Assembly, Antenna, EPLRS	SM-C-911480	5995-01-167-1269	(C)	3
9.	Cable Assembly, Power, EPLRS	A3004939	5995-01-198-0538	(C),(D)	3
10.	Cable Assembly, Radio Frequency	A3014031-8	5995-01-219-7035	(A)	1
11.	Clamp, Loop	MS21333-71	5340-00-057-2904	(A)	2
12.	Clamp, Loop	MS21333-75	5340-00-050-2740	(A)	2
13.	Clamp, Loop	MS21333-96	5340-00-088-1255	(B)	3
14.	Grommet, Nonmetallic	MS21266-4N	5325-00-923-9512	(A)	2
15.	Grommet, Nonmetallic	MS35489-143	5325-00-292-7558	(B)	2
16.	Insert	12446871-2	5310-01-411-3422	(B)	3
17.	Loudspeaker	A3014065-1	5965-01-222-1420	(A)	2
18.	Mounting Base, Electrical Equipment	A3013367-1	5975-01-188-8873	(A), (D)	1
19.	Nut	271169	5310-00-124-9265	(B)	2
20.	Nut	9419143	5310-01-148-0240	(B)	2
21.	Nut	MS35650-302	5310-00-934-9751	(A),(C),(D)	7
22.	Nut	MS51967-2	5310-00-761-6882	(A),(C)	6
23.	Nut	MS51968-5	5310-00-880-7746	(A), (D)	6
24.	Screw, Cap	B1821BH025C100N	5305-00-225-3843	(B)	3
25.	Screw, Cap	B1821BH025C125N	5305-00-068-0509	(B)	2
26.	Screw, Cap	MS35307-365	5305-00-847-1159	(A), (D)	8
27.	Screw, Cap	MS90725-8	5305-00-225-3839	(A), (D)	2
28.	Screw, Cap	MS90726-36	5305-00-225-9091	(A)	2
29.	Screw, Externally Relieved	A3018701-2	5965-01-222-1420	(A)	4
30.	Screw, Machine	MS35206-217	5305-00-889-2999	(C)	3
31.	Screw, Machine, Flat-Head	MS35206-263	5305-00-984-6210	(B)	4
32.	Screw, Self-Tapping	9421073	5305-01-162-8512	(B)	6
33.	Strap, Tiedown	MS3367-1-0	5975-00-984-6582	(B)	2
34.	Terminal Lug	7728777	5940-00-983-4067	(B)	1
35.	Terminal Lug	7728780	5940-01-035-4212	(B)	2
36.	Washer	2436161	5310-01-102-3270	(B)	6
37.	Washer	MS27183-10	5310-00-809-4058	(A)	18

MATERIAL REQUIRED FROM KITS (Contd):

Table 4-1. Kit Parts List for Installation of C4ISR Equipment (Contd).

ITEM NO.	NOMENCLATURE	PART NUMBER	NSN	KIT	QTY.
38.	Washer, Lock	MS35338-43	5310-00-045-3296	(A),(C)	5
39.	Washer, Lock	MS35338-44	5310-00-582-5965	(A)	20
40.	Washer, Lock	MS35338-46	5310-00-637-9541	(A),(C),(D)	7
41.	Washer, Lock	MS35338-48	5310-00-584-5272	(A)	2
42.	Washer, Lock	MS45904-68	5310-00-889-2528	(A)	12
43.	Washer, Lock	MS45904-72	5310-00-889-2527	(A),(C),(D)	89
44.	Washer, Lock	MS45904-76	5310-00-061-1258	(A), (D)	6
45.	Wellnut	12339397-3	5310-01-231-7455	(B)	1
46.	Wellnut	12339397-6	5310-01-388-6205	(B)	1

MATERIAL REQUIRED BUT NOT INCLUDED IN KITS:*Table 4-2. Non-Kit Parts List for Installation of C4ISR Equipment.*

ITEM NO.	NOMENCLATURE	PART NUMBER	NSN	QTY.
1.	Angle, Steel	p/o PKMM 000-016	N/A	1
2.	Antenna AS-3900/VRC	A3017899-2	5985-01-308-8988	2
3.	Antenna, Element (lower)	A3018230-1	5985-01-201-1498	2
4.	Antenna, Element (upper)	A3017901-2	5985-01-306-4622	2
5.	Antenna Support	A3103782	5985-01-312-3028	2
6.	Antenna, NTDR	8173964-1	N/A	1
7.	Antenna, PLGR	AT575-030	5985-01-375-4660	1
8.	Assembly, Display Lock	872843-01	N/A	1
9.	Bracket, C-Mount	A3046202	5340-01-237-8102	1
10.	Backing Plate	p/o PKMM 000-006	N/A	2
11.	Backing Plate	A3046222	5975-01-264-1720	2
12.	Bar, Aluminum Flat	p/o PKMM 000-017	N/A	1
13.	Battery, Deep Cycle	PKMM 000-010	N/A	2
14.	Bolt	MS35751-18	5306-00-108-9988	4
15.	Bracket, PLGR	986-0645-001	5975-01-375-1302	1
16.	Cable (battery to battery)	RCSK 19639	N/A	1
17.	Cable (shunt to rear battery)	RCSK 19643	N/A	1
18.	Cable (solenoid to rear battery)	RCSK 19644	N/A	1
19.	Cable Assembly, Antenna, NTDR	8174921-7	5995-01-512-7547	1
20.	Cable Assembly, Antenna, PLGR	426-0141-050	6150-01-375-8662	1
21.	Cable Assembly, Ground	12480567-1	N/A	1
22.	Cable Assembly, Power	12480567-2	N/A	1
23.	Cable Assembly, Power	8174912-2	N/A	1
24.	Cable Assembly, Power	A3014039-2	5995-01-219-1843	2
25.	Cable Assembly, Power	A3014039-7	5995-01-336-6933	1
26.	Cable Assembly, INC-EPUU	A3279383-3	5995-01-453-9171	3
27.	Cable Assembly, Power	PKMM-0004	N/A	2
28.	Cable Assembly, Power, Electrical	A3154857-1	5995-01-438-7822	1
29.	Cable Assembly, Power, PLGR	9728558-10	6150-01-375-8661	1
30.	Cable Assembly, Radio Frequency	A3014032-3	5995-01-219-7025	1
31.	Cable Assembly, Special Purpose	A3210672-1	5995-01-444-7933	1
32.	Cable Assembly, UHF	8174914-7	5995-01-512-7526	1
33.	Cable (shunt)	RCSK-19638	N/A	1
34.	Cable (solenoid)	RCSK-19637	N/A	1
35.	Cable, Control Box (GREEN)	N/A	N/A	1
36.	Cable, Control Box (ORANGE)	N/A	N/A	1
37.	Cable, Control Box (RED)	N/A	N/A	1
38.	Cable, Speaker	A3014038-3	5995-01-219-4704	2
39.	Charge Control Box	PKMM 000-002	N/A	1
40.	Clamp, Loop	A3209994	5340-01-424-1516	4

MATERIAL REQUIRED BUT NOT INCLUDED IN KITS (Contd):*Table 4-2. Non-Kit Parts List for Installation of C4ISR Equipment (Contd).*

ITEM NO.	NOMENCLATURE	PART NUMBER	NSN	QTY.
41.	Clamp, Loop	MS21333-65	5340-00-905-0790	12
42.	Clamp, Loop	MS21333-69	5340-00-764-7051	7
43.	Clamp, Loop	MS21333-71	5340-00-057-2904	4
44.	Clamp, Loop	MS21333-77	5340-00-922-6300	9
45.	CPU (Central Processing Unit)	881292-1	7021-01-474-3793	1
46.	Decal	12339060	7690-01-265-1135	1
47.	Decal	861868-2	N/A	1
48.	Display	881293-1	7025-01-475-0229	1
49.	Folding Step	p/o PKMM 000-006	N/A	2
50.	Frame	A3210675-1	N/A	1
51.	Gasket	A3013655-1	5330-01-205-2864	5
52.	Grommet, Nonmetallic	2400	5325-01-289-7859	1
53.	Grommet, Nonmetallic	12338098	5325-01-308-5424	2
54.	Grommet, Nonmetallic	MS21266-4N	5325-00-923-9512	A/R
55.	Grommet, Nonmetallic	MS21266-6N	5325-00-783-4753	A/R
56.	Grommet, Nonmetallic	12341628	N/A	A/R
57.	Grommet, Nonmetallic	MS35489-7	5325-00-174-5315	2
58.	Guard, Amp	872842-1	5935-01-487-2172	1
59.	Insert	12446871-2	5310-01-411-3422	9
60.	Isolation Kit, CPU	872826-2	5340-01-481-5741	1
61.	Isolation Kit, Display	872870-1	5340-01-481-5757	1
62.	Lanyard	8925T5-7X19	4010-01-497-2675	1
63.	Mount, Ramball	RAM-D-111U	5975-01-485-3615	1
64.	Mount, Resilient	MT-6146/VSQ-1	5340-01-167-8297	3
65.	Mounting Base, Electrical Equipment	A3014053-1	5975-01-235-1962	1
66.	Mounting Tray	8174934G1	N/A	1
67.	Nut	p/o PKMM 000-016	N/A	2
68.	Nut	9418892	5310-01-157-9819	14
69.	Nut	13218E0320-293	5310-00-913-8881	8
70.	Nut	MS35649-2252	5310-00-997-1888	3
71.	Nut	MS35649-2382	5310-00-056-3395	2
72.	Nut	MS35649-63	5310-00-804-3859	5
73.	Nut	MS51967-9	5310-00-761-0654	1
74.	Nut	271169	5310-00-124-9265	3
75.	Nut	9419143	5310-01-148-0240	7
76.	Nut	9422771	5310-01-211-0691	1
77.	Nut	MS51967-5	5310-00-880-7744	18
78.	Nut	MS35690-610	5310-00-655-6457	29
79.	Nut	MS51967-6	5310-00-931-8167	4
80.	Nut	9417954	5310-00-931-8167	4

MATERIAL REQUIRED BUT NOT INCLUDED IN KITS (Contd):*Table 4-2. Non-Kit Parts List for Installation of C4ISR Equipment (Contd).*

ITEM NO.	NOMENCLATURE	PART NUMBER	NSN	QTY.
81.	Nut, Lock	271175	5310-01-333-5245	4
82.	Nut, Self-Locking	p/o PKMM 000-016	N/A	2
83.	Nut, Self-Locking	MS17829-5C	5310-00-245-3424	4
84.	Nut, Self-Locking	MS17829-4C	5310-00-483-8792	6
85.	Nut, Self-Locking	MS21044-NO4	5310-00-088-0551	3
86.	Nut, Self-Locking	MS21044-NO8	5310-00-811-3494	2
87.	Nut Strip	A3014064-1	N/A	1
88.	Panel, Enclosure	12447141	2510-01-413-5993	1
89.	Plate	A3103784	N/A	2
90.	Plate, Angled	A3103740	5340-01-302-0068	2
91.	Plate, Mounting	A3014550-1	N/A	2
92.	Rack, Integrated	A3276903	N/A	1
93.	Rack, QEAM	PKMM 000-006	N/A	1
94.	Rivet, Blind	12339355-1	5320-01-271-6357	2
95.	Rivet, Blind	M24243/1A403	5320-00-083-5009	4
96.	RTV	12346193	6850-01-159-4844	A/R
97.	Screw	N/A	N/A	2
98.	Screw	MS35224-65	5305-00-543-5743	1
99.	Screw	MS90725-30	5306-00-225-8495	8
100.	Screw, Cap	8599267-531	5305-00-847-1159	4
101.	Screw, Cap	B1821AH038C225N	5305-01-434-2947	2
102.	Screw, Cap	B1821BH025C075N	5305-00-068-0508	8
103.	Screw, Cap	B1821BH025C150N	5305-00-071-2509	6
104.	Screw, Cap	B1821BH031C125N	2306-00-226-4829	4
105.	Screw, Cap	B1821BH031F075N	5306-00-050-1238	2
106.	Screw, Cap	B1821BH031F100N	5305-00-051-4076	2
107.	Screw, Cap	B1821BH031F125N	5305-00-051-4078	22
108.	Screw, Cap	B1821BH038F100N	5305-00-269-3236	6
109.	Screw, Cap	B1821BH050C400N	5305-00-071-2079	3
110.	Screw, Cap	B1821BH050C450N	5305-00-071-2081	2
111.	Screw, Cap	B1821BH025C100N	5305-00-225-3843	14
112.	Screw, Cap	B1821BH025C125N	5305-00-068-0509	7
113.	Screw, Cap	MS35307-365	5305-00-847-1159	8
112.	Screw, Cap	MS90726-36	5305-00-225-9091	16
114.	Screw, Cap	MS90725-64	5305-01-325-8387	21
115.	Screw, Cap	MS90725-62	5305-00-269-3213	8
116.	Screw, Cap	B1821BH031C300N	5306-00-226-4837	4
117.	Screw, Machine	160035	5305-00-016-0035	1
118.	Screw, Machine	MS35206-230	5305-00-889-3000	5
119.	Screw, Machine	MS35206-247	5305-00-984-6195	2

MATERIAL REQUIRED BUT NOT INCLUDED IN KITS (Contd):*Table 4-2. Non-Kit Parts List for Installation of C4ISR Equipment (Contd).*

ITEM NO.	NOMENCLATURE	PART NUMBER	NSN	QTY.
120.	Screw, Machine	MS35206-265	5305-00-984-6212	1
121.	Screw, Machine	MS35207-265	5305-00-993-1848	4
122.	Screw, Machine	MS35207-263	5305-00-989-7434	2
123.	Screw, Machine, Flat-Head	MS35190-291	5305-00-958-5247	2
124.	Screw, Self-Tapping	9421073	5305-01-162-8512	27
125.	Screw, Self-Tapping	9426634	N/A	8
126.	Screw, Self-Tapping	9426241	5305-01-206-7219	1
127.	Screw, Self-Tapping	12342499-2	5305-01-264-5809	7
128.	Shelf, Electrical Equipment	A3046236	5975-01-262-9575	2
129.	Shunt	PKMM 000-013	N/A	1
130.	Solenoid	586-905	5945-01-411-7621	1
131.	Spacer	92510A318	N/A	12
132.	Spacer	10705AL315C	5365-01-487-3145	4
133.	Strap, Tiedown	MS3367-1-0	5975-00-984-6582	A/R
134.	Terminal Block	MS27212-1-23	N/A	1
135.	Terminal Board	105A	5940-01-208-4713	1
136.	Terminal Board	MS27212-3-8	5940-00-950-7782	1
137.	Terminal Board Cover	12480569-1	N/A	1
138.	Terminal Board Cover	12480569-2	N/A	1
139.	Terminal Board Cover	MS18029-3S-2	5940-01-280-9304	1
140.	Terminal Cover	MS18029-1L-16	N/A	1
141.	Terminal Link	MS25226-6N-2	6150-01-167-9267	1
142.	Terminal Lug	7728777	5940-00-983-4067	1
143.	Terminal Lug	MS20659-129	5940-00-114-1314	2
144.	Terminal Lug	MS20659-141	5940-00-113-9825	4
145.	Tubing, Shrink	MS23053/4-302-0	5970-01-161-6796	A/R
146.	Washer, Fender	p/o PKMM 000-016	N/A	2
147.	Washer	2436163	5310-01-412-4013	18
148.	Washer	9414920	5310-01-476-8589	2
149.	Washer	9417373	5310-01-361-1163	1
150.	Washer	11500256	5310-00-080-6004	1
151.	Washer	MS27183-14	5310-00-080-6004	4
152.	Washer	MS27183-4	5310-00-950-1310	3
153.	Washer	MS27183-41	5310-00-765-3197	2
154.	Washer	MS51412-23	5310-01-333-0060	2
155.	Washer	2436161	5310-01-102-3270	25
156.	Washer	MS27183-12	5310-00-081-4219	14
157.	Washer	120393	5310-00-012-0393	8
158.	Washer	MS15795-814	5310-00-773-7618	52
159.	Washer, Lock	120380	5310-00-543-2705	5

MATERIAL REQUIRED BUT NOT INCLUDED IN KITS (Contd):*Table 4-2. Non-Kit Parts List for Installation of C4ISR Equipment (Contd).*

ITEM NO.	NOMENCLATURE	PART NUMBER	NSN	QTY.
160.	Washer	p/o PKMM 000-016	N/A	2
161.	Washer, Lock	MS45904-84	5310-00-935-8984	5
162.	Washer, Lock	MS35338-48	5310-00-584-5272	1
163.	Washer, Lock	MS45904-72	5310-00-889-2527	37
164.	Washer, Lock	MS35338-41	5310-00-045-4007	5
165.	Washer, Lock	MS35338-141	5310-01-422-3906	26
166.	Wingnut	MS35425-75	5310-01-078-5996	1
167.	Wingnut	MS51553-420	5310-01-384-2546	4
168.	Wire Assembly, Fuse (12V)	12480568-2	N/A	1
169.	Wire Assembly, Fuse (24V)	12480568-1	N/A	3
170.	Wire, Braided	AA59569F30T0375	6145-00-191-8402	A/R
171.	Wire, Lock	MS20995C32	9505-00-293-4208	A/R

CHAPTER 5 INSTALLATION PROCEDURES

Section I. SCOPE

This chapter provides instructions for installation of C4ISR items in the vehicle. When installing C4ISR equipment, be sure to read and follow instructions and illustrations carefully.

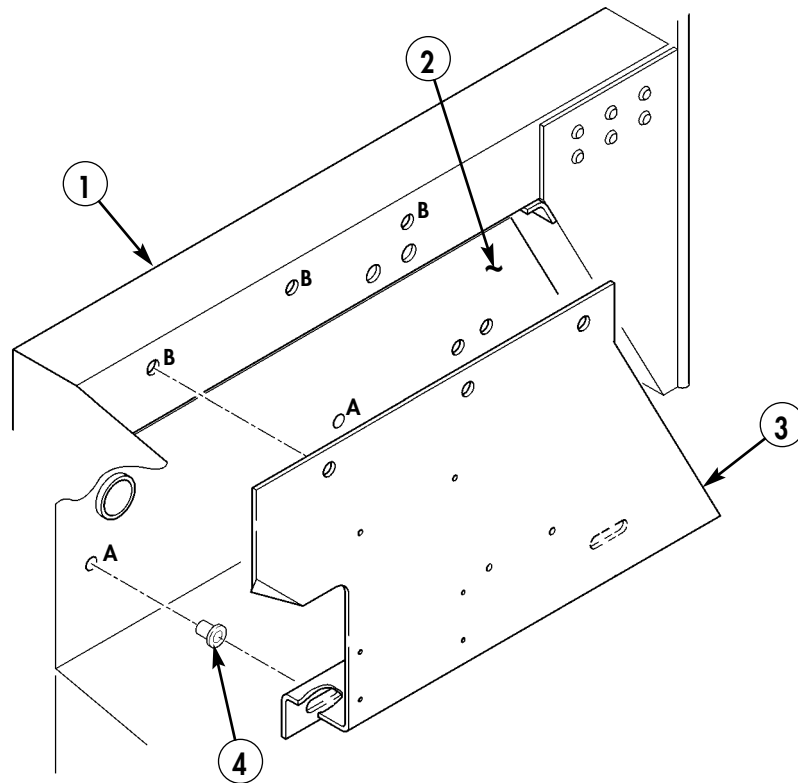
Section II. INSTALLATION OF TERMINAL BOARDS

Use the following procedure to install additional terminal boards to provide adequate power connections.

Section III. PANEL MODIFICATIONS

NOTE

- For vehicles without cab enclosure panel, begin with step 3-1 and use cab enclosure panel NSN 2510-01-413-5993.
 - For vehicles with cab enclosure panel, begin with step 3-3.
 - All dimensions are in inches.
- 3-1.** Place cab enclosure panel (3) in position. Locate, mark, and drill five 0.159-in. diameter holes marked A and B in B-beam (1) and battery box (2).
 - 3-2.** Enlarge two lower mounting holes marked A to 0.390-in. diameter, and install two inserts (4) in battery box (2).



- 3. CAB ENCLOSURE PANEL – 12447141 – QTY. 1**
- 4. INSERT – 12446871-2 – QTY. 2**

Figure 5-1.

NOTE

Do not install cab enclosure panel.

- 3-3. Locate, mark, and drill three 0.156-in. diameter holes marked A in cab enclosure panel (3).
- 3-4. Locate, mark, and drill two 0.156-in. diameter holes marked C in cab enclosure panel (3).
- 3-5. Locate, mark, and drill two 0.196-in. diameter holes marked B in cab enclosure panel (3).

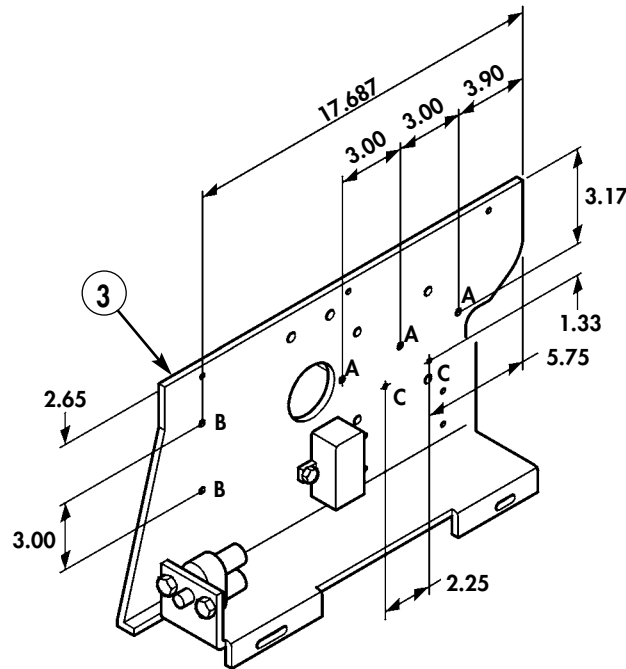


Figure 5-2.

Section IV. TERMINAL BOARD, COVER, AND LINK MODIFICATION

CAUTION

Do not cut raised sections of terminal board. Terminal board is not usable if cut on raised section.

- 4-1. Measure and cut terminal board (1) in two places (2). Remove burrs and sharp edges.
- 4-2. Install five nut sleeves (5) in terminal board covers (3), (4), and (6) and secure with snaprings (7).

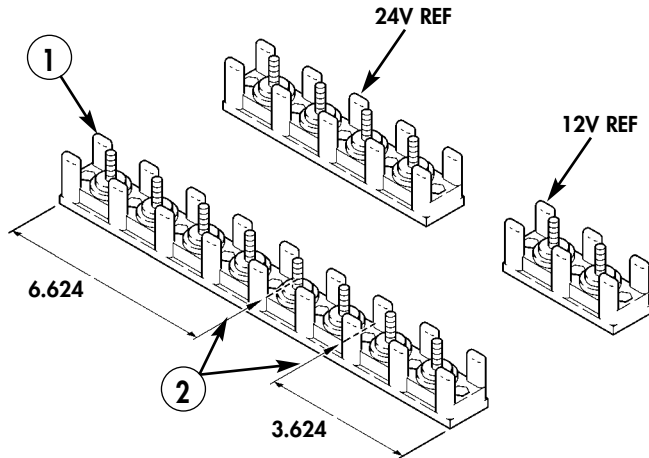


Figure 5-3.

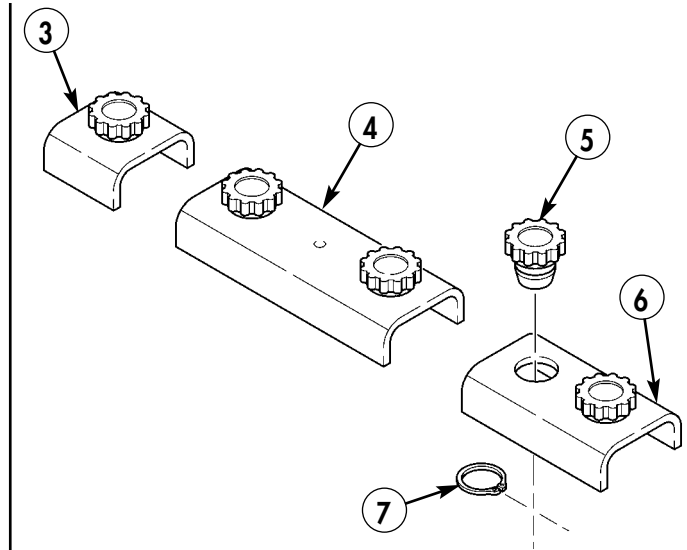


Figure 5-4.

- 1. TERMINAL BOARD – MS27212-3-8 – QTY. 1
- 3. TERMINAL BOARD COVER – 12480569-1 – QTY. 1
- 4. TERMINAL BOARD COVER – 12480569-2 – QTY. 1
- 6. TERMINAL BOARD COVER – MS18029-3S-2 – QTY. 1

Section V. B-BEAM PREPARATION

5-1. Locate, mark, and drill four 0.159-in. diameter holes (2) in B-beam (1).

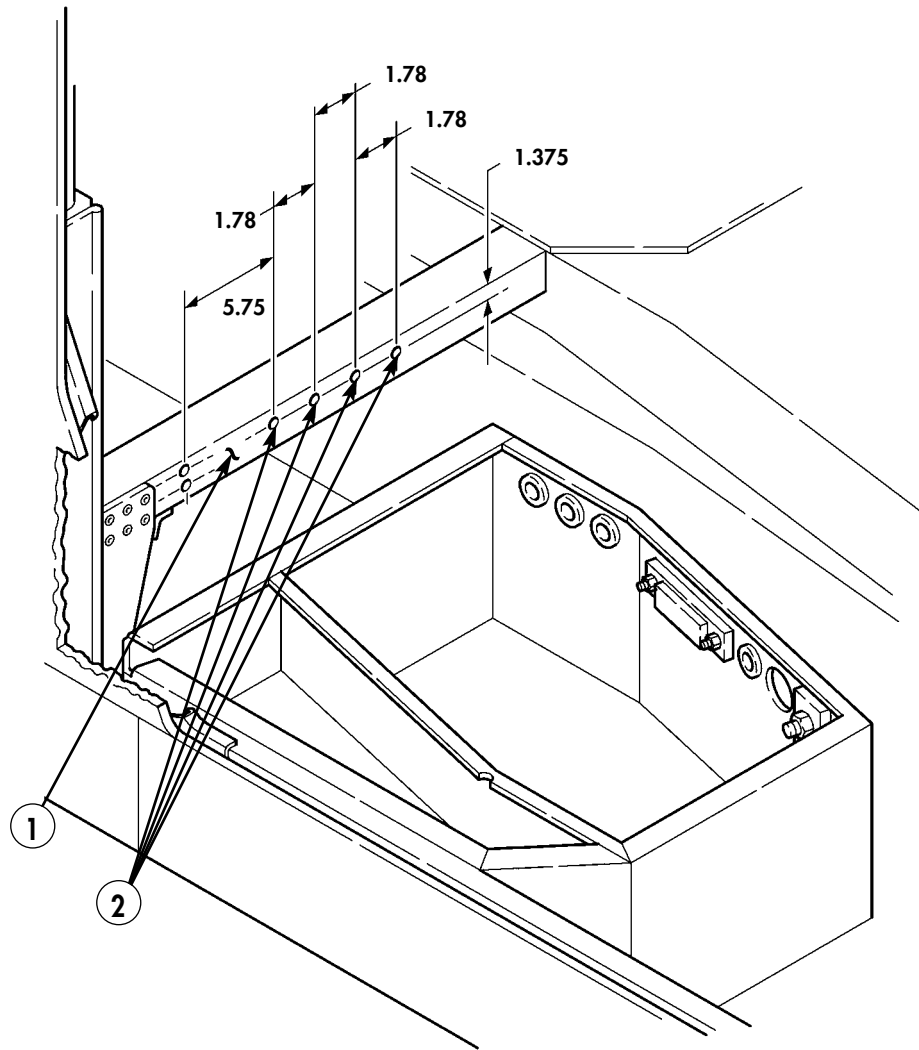
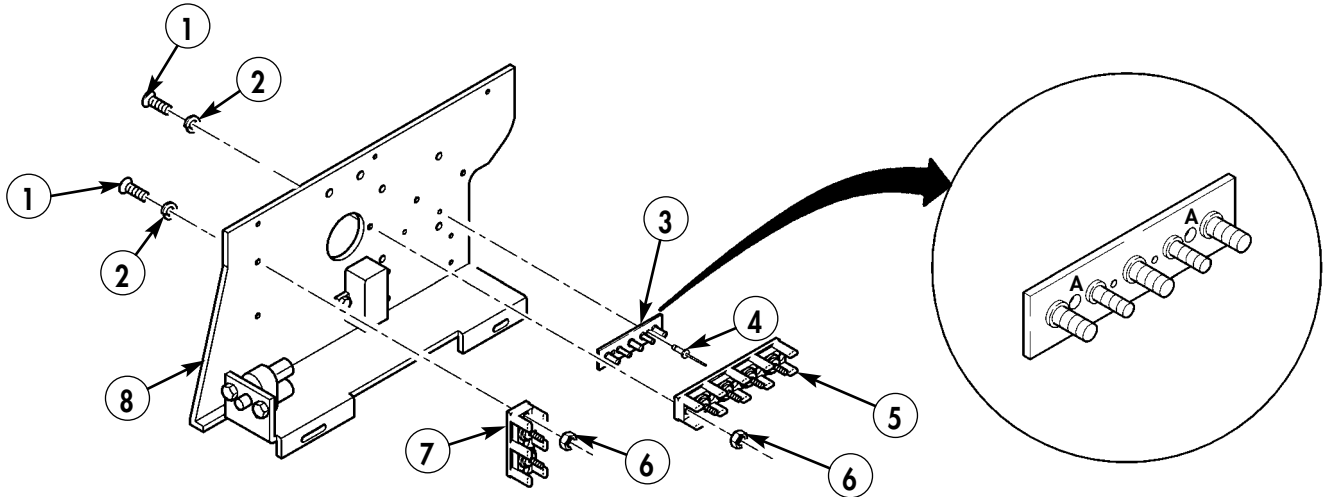


Figure 5-5.

Section VI. ASSEMBLY OF CAB ENCLOSURE PANEL

- 6-1.** Install 12V terminal board (7) on enclosure panel (8) with two screws (1), lockwashers (2), and nuts (6).
- 6-2.** Install 24V terminal board (5) on enclosure panel (8) with three screws (1), lockwashers (2), and nuts (6).
- 6-3.** Enlarge two holes marked A in terminal board (3) to 0.196 in., and secure terminal board (3) to cab enclosure panel (8) with two rivets (4).



- 1.** SCREW – MS35206-230 – QTY. 5
- 2.** LOCKWASHER – MS35338-41 – QTY. 5
- 3.** TERMINAL BOARD – 105A – QTY. 1
- 4.** BLIND RIVET – 12339355-1 – QTY. 2
- 6.** NUT – MS35649-63 – QTY. 5

Figure 5-6.

Section VII. FINAL ASSEMBLY, TERMINAL BOARD WIRING, AND TERMINAL LINK

NOTE

Perform steps 7-1 and 7-2 if hole in battery box does not exist.

- 7-1. Locate, mark, and drill one 2.00-in. diameter hole (6) in upper right corner of rear wall of battery box (9).
- 7-2. Install rubber grommet (7) in hole (6).
- 7-3. Secure terminal link (2) and fuse wire (3) to 12V terminal board (1) with two locknuts (4), and install terminal board cover (5).
- 7-4. Route 11.00-in. wire (8) through battery box hole (6).

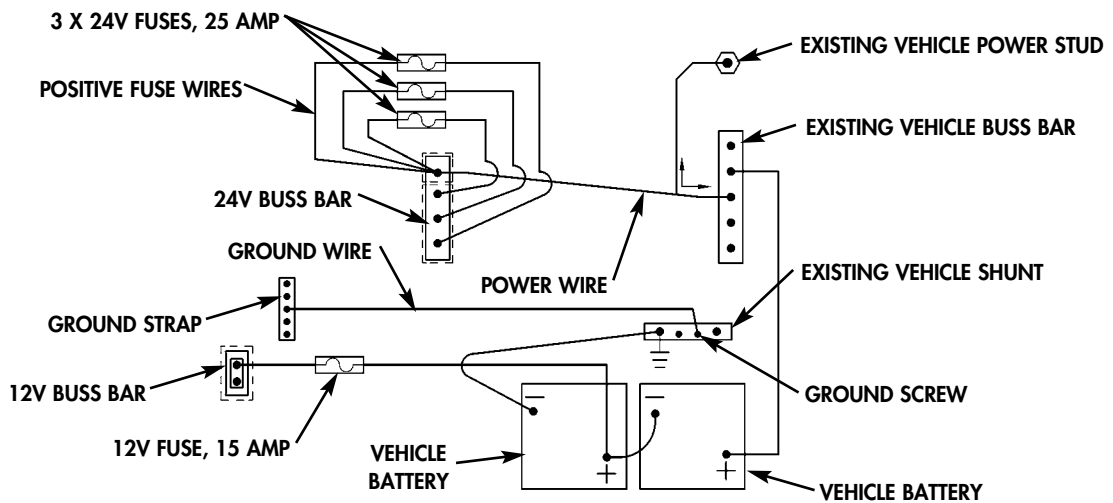
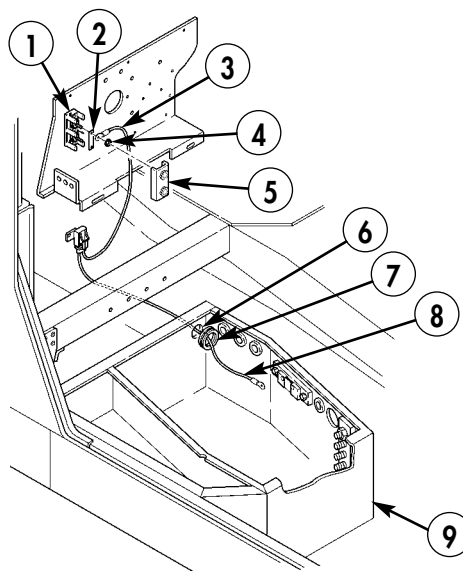


Figure 5-7.



2. TERMINAL LINK - MS25226-6N-2 - QTY. 1
3. FUSE WIRE ASSEMBLY (12V) - 12480568-2 - QTY. 1
4. LOCKNUT - 271175 - QTY. 2
5. TERMINAL BOARD COVER - MS18029-3S-2 - QTY. 1
7. GROMMET - 2400 - QTY. 1

Figure 5-8.

- 7-5. Connect wire (8) to existing positive 12V battery terminal end (11) with existing screw (10) and nut (12).

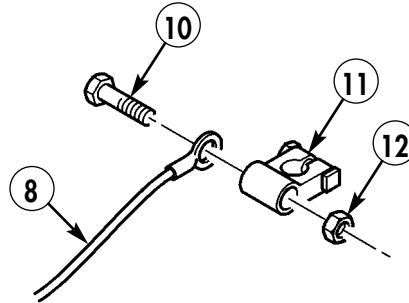
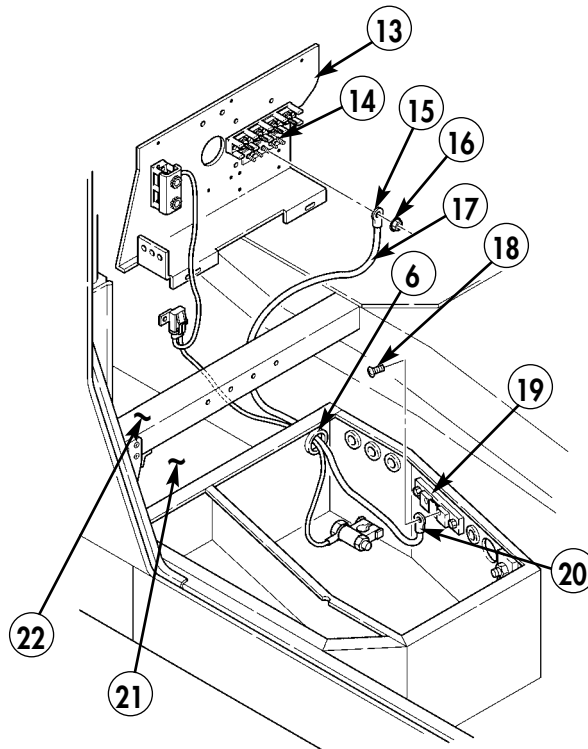


Figure 5-9.

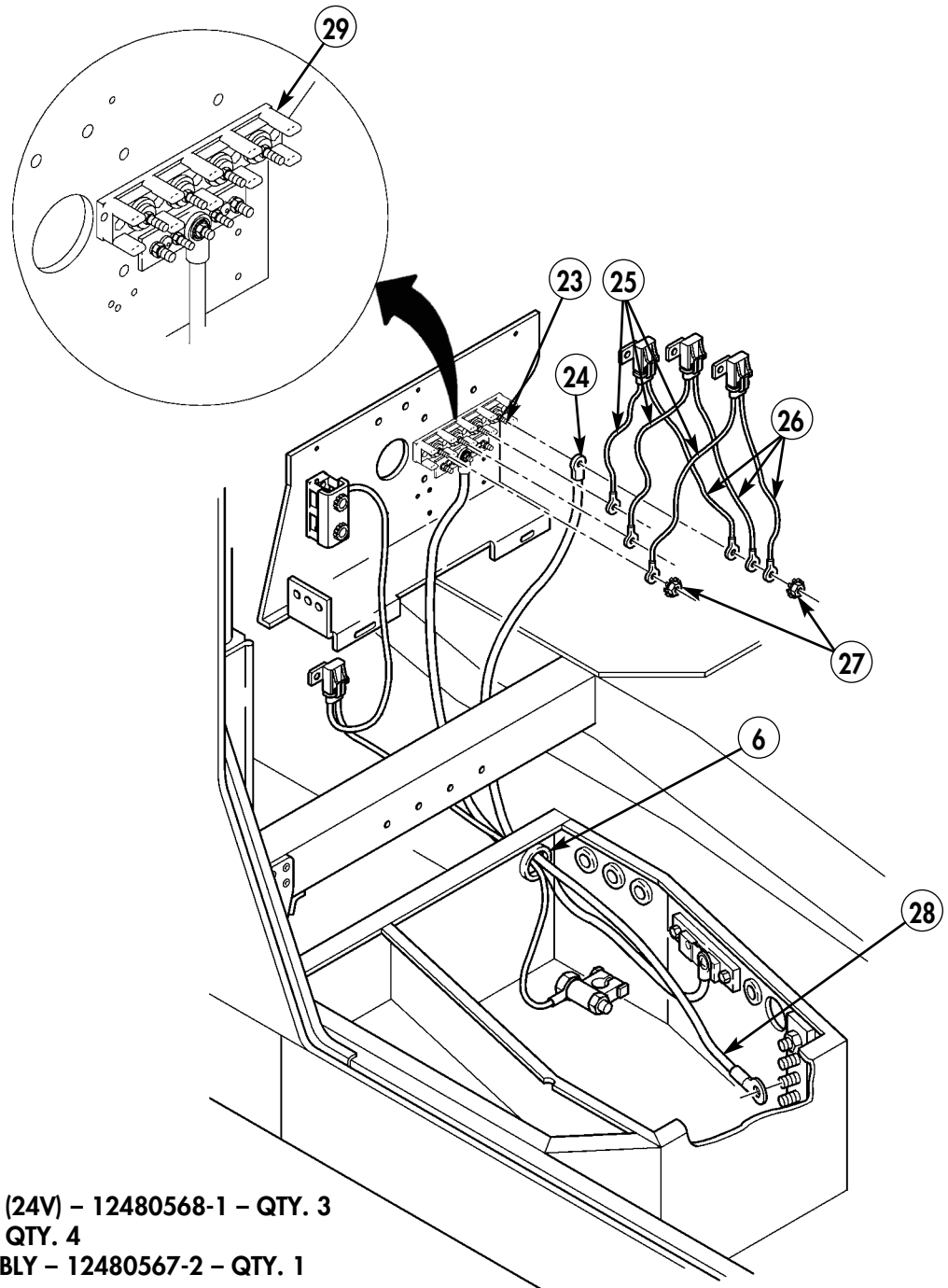
- 7-6. Position cab enclosure panel (13) in rear floor pan (21) and rear of B-beam (22). Do not secure cab enclosure panel (13) at this time.
- 7-7. Route ground cable (17) through battery box hole (6).
- 7-8. Secure terminal lug (15) to center terminal of terminal board (14) with nut (16), and secure terminal lug (20) to shunt (19) with existing screw (18).
- 7-9. Install four additional nuts (16) on terminal board (14).



16. PLAIN-ASSEMBLED NUT – 271169 – QTY. 5
 17. GROUND CABLE ASSEMBLY – 12480567-1 – QTY. 1

Figure 5-10.

- 7-10. Route 24V power cable (28) through hole (6) and install 24V power cable terminal lug (24) on inboard stud (23) of terminal board (29). Do not secure 24V power cable terminal lug (24) at this time.
- 7-11. Secure three fuse wires (26) and 24V power cable terminal lug (24) to inboard terminal board stud (23) with locknut (27).
- 7-12. Secure three remaining fuse wires (25) to corresponding studs on 24V terminal board (29) with three locknuts (27).



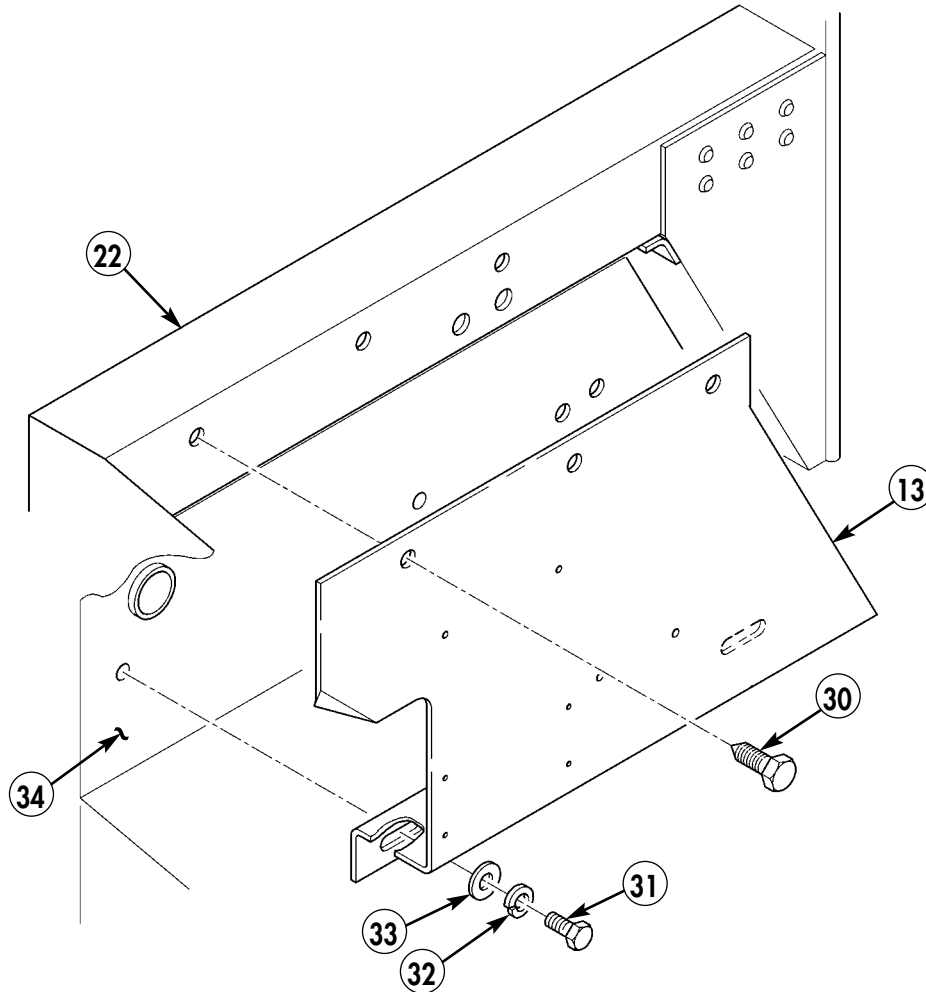
- 25. FUSE WIRE ASSEMBLY (24V) - 12480568-1 - QTY. 3
- 27. LOCKNUT - 271175 - QTY. 4
- 28. POWER CABLE ASSEMBLY - 12480567-2 - QTY. 1

Figure 5-11.

NOTE

For vehicles with new cab enclosure panel, begin with step 7-14.

- 7-13.** Install cab enclosure panel (13). (Refer to TM 9-2320-280-20.)
- 7-14.** Secure cab enclosure panel (13) to B-beam (22) with three self-tapping screws (30).
- 7-15.** Secure cab enclosure panel (13) to battery box (34) with two capscrews (31), lockwashers (32), and washers (33).



- 30. SELF-TAPPING SCREW – 12342499-2 – QTY. 3**
- 31. CAPSCREW – B1821BH025C075N – QTY. 2**
- 32. LOCKWASHER – MS35338-48 – QTY. 2**
- 33. FLAT WASHER – MS51412-23 – QTY. 2**

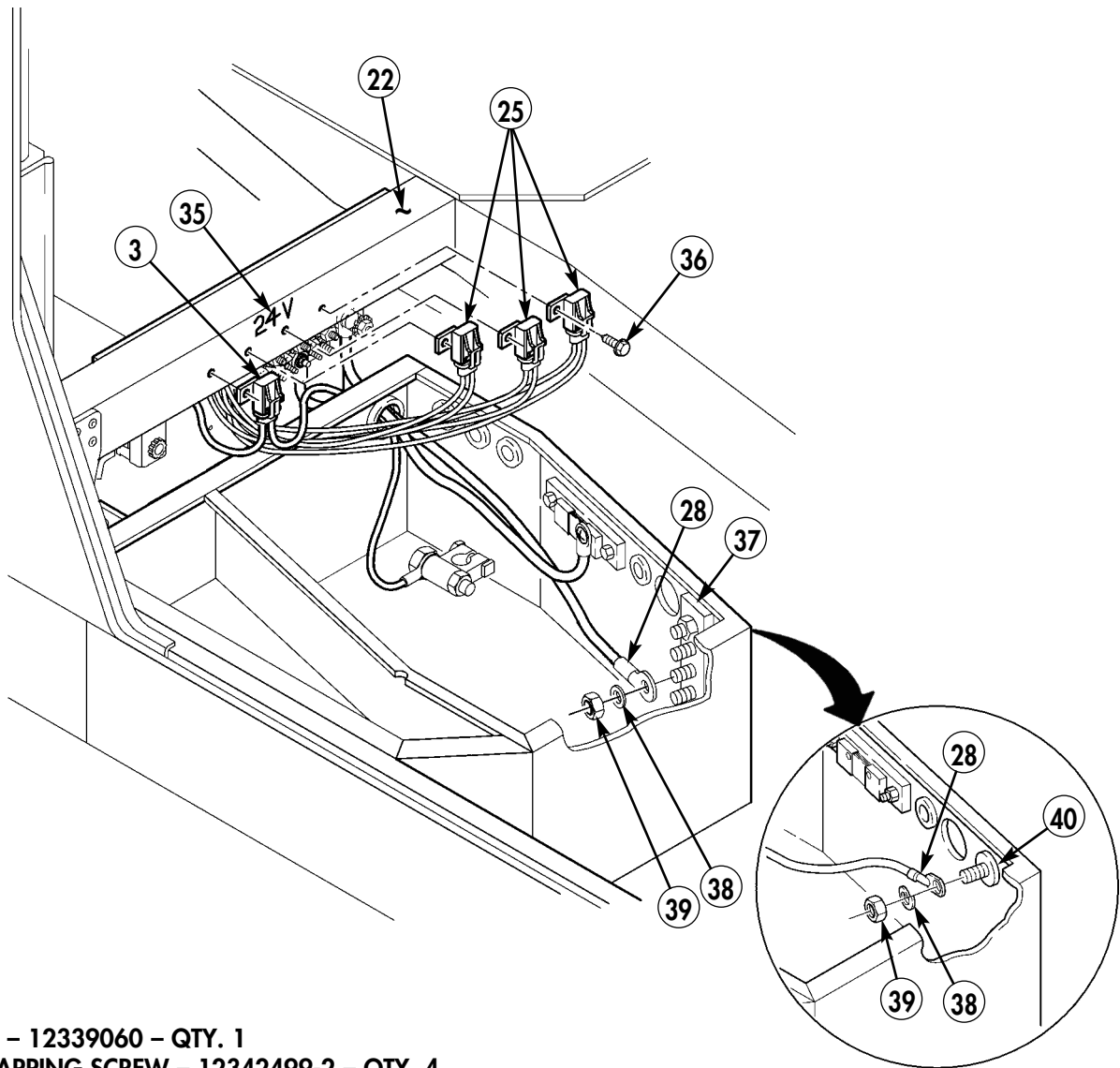
Figure 5-12.

- 7-16. Secure three 24V fuse wire assemblies (25) and one 12V fuse wire assembly (3) to B-beam (22) with four self-tapping screws (36).

NOTE

For models equipped with power stud, perform step 7-17.
Otherwise, proceed to step 7-18.

- 7-17. Secure 24V terminal board power wire terminal lug (28) to power stud (40) with lockwasher (38) and existing nut (39).
- 7-18. Secure 24V terminal board power wire terminal lug (28) to terminal board (37) with lockwasher (38) and existing nut (39).
- 7-19. Install decal (35) on B-beam (22).
- 7-20. If previously removed, install right-hand rear fixed door. (Refer to TM 9-2320-280-20.)
- 7-21. Install batteries. (Refer to TM 9-2320-280-20.)

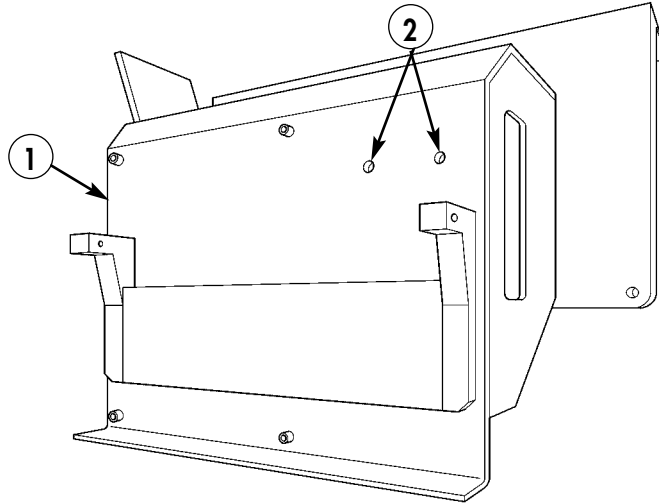


- 35. DECAL – 12339060 – QTY. 1
- 36. SELF-TAPPING SCREW – 12342499-2 – QTY. 4
- 38. LOCKWASHER – MS35338-48 – QTY. 1

Figure 5-13.

Section VIII. INTEGRATED RACK INSTALLATION

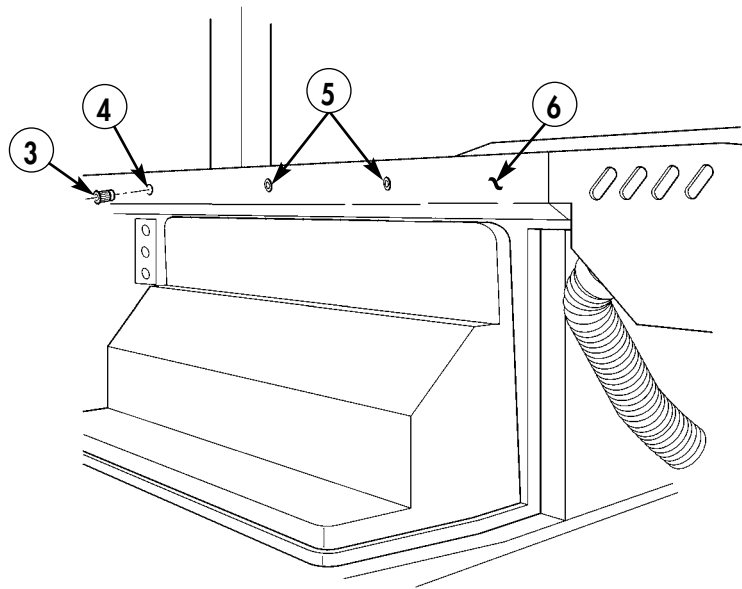
- 8-1. Remove two inserts (2) from bottom of integrated rack (1).



1. RACK, INTEGRATED – A3276903 – QTY. 1

Figure 5-14.

- 8-2. Using integrated rack (1) as template, locate, mark, and drill 0.390-in. diameter hole (4) in dash (6).
- 8-3. Remove paint from vicinity of hole (4) and two existing inserts (5).
- 8-4. Install insert (3) in hole (4).
- 8-5. Apply anti-seize compound to vicinity of inserts (3) and (5) as required.



3. INSERT – 12446871-2 – QTY. 1

Figure 5-15.

- 8-6. Remove paint from vicinity of three mounting slots (8) on integrated rack (1).
- 8-7. Apply anti-seize compound to vicinity of three mounting slots (8) and hole (7) on integrated rack (1) as required.

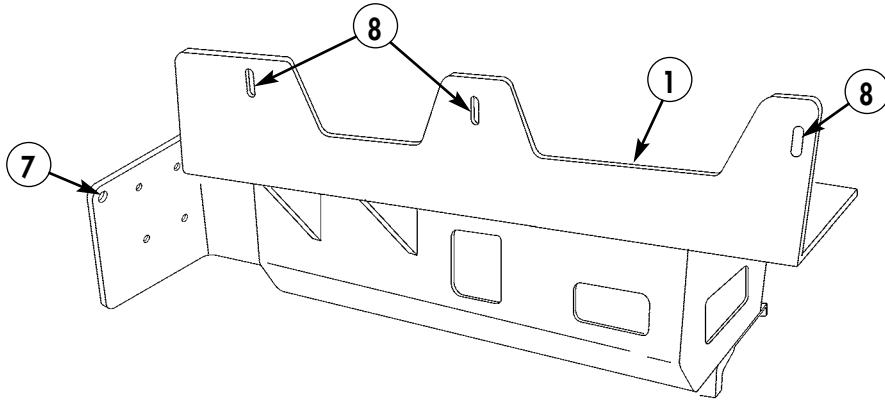
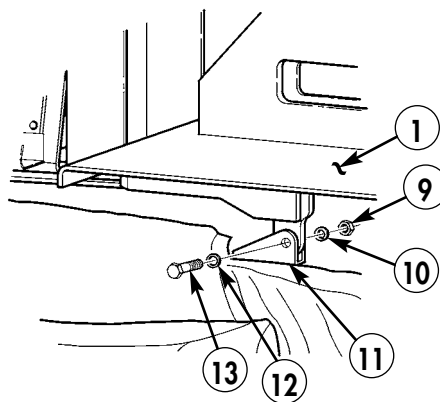


Figure 5-16.

NOTE

Do not install mounting hardware on top of integrated rack at this time. Not installing this hardware leaves the integrated rack free to pivot to assist in routing of cabling. Secure rack only after all cabling has been routed.

- 8-8. Mount integrated rack (1) to existing radio rack mount (11) using capscrew (13), washer (12), lockwasher (10), and nut (9). Repeat for opposite side. Do not tighten screws.



- 9. NUT – MS35649-2382 – QTY. 2
- 10. LOCKWASHER – MS35338-46 – QTY. 2
- 12. WASHER – 2436163 – QTY. 2
- 13. CAPSCREW – B1821AH038C225N – QTY. 2

Figure 5-17.

Section IX. INSTALLATION OF SINGARS MOUNTING TRAY AND AMP GUARD

- 9-1. Remove paint from vicinity of four mounting holes (6) on integrated rack (7) and vicinity of four mounting holes (5) on bottom of mounting base (4).
- 9-2. Apply anti-seize compound to vicinity of four mounting holes (6) on integrated rack and four mounting holes (5) on bottom of mounting base as required.

NOTE

Two lockwashers and one nut are used on driver-side screws only.

- 9-3. Install mounting base (4) and amp guard (9) on integrated rack (7) with two capscrews (2), four lockwashers (1), and two nuts (8). Secure MT-6352/VRC mounting base (4) to integrated rack (7) with two capscrews (3) and two lockwashers (1).
- 9-4. Place warning decal (10) on amp guard (9).

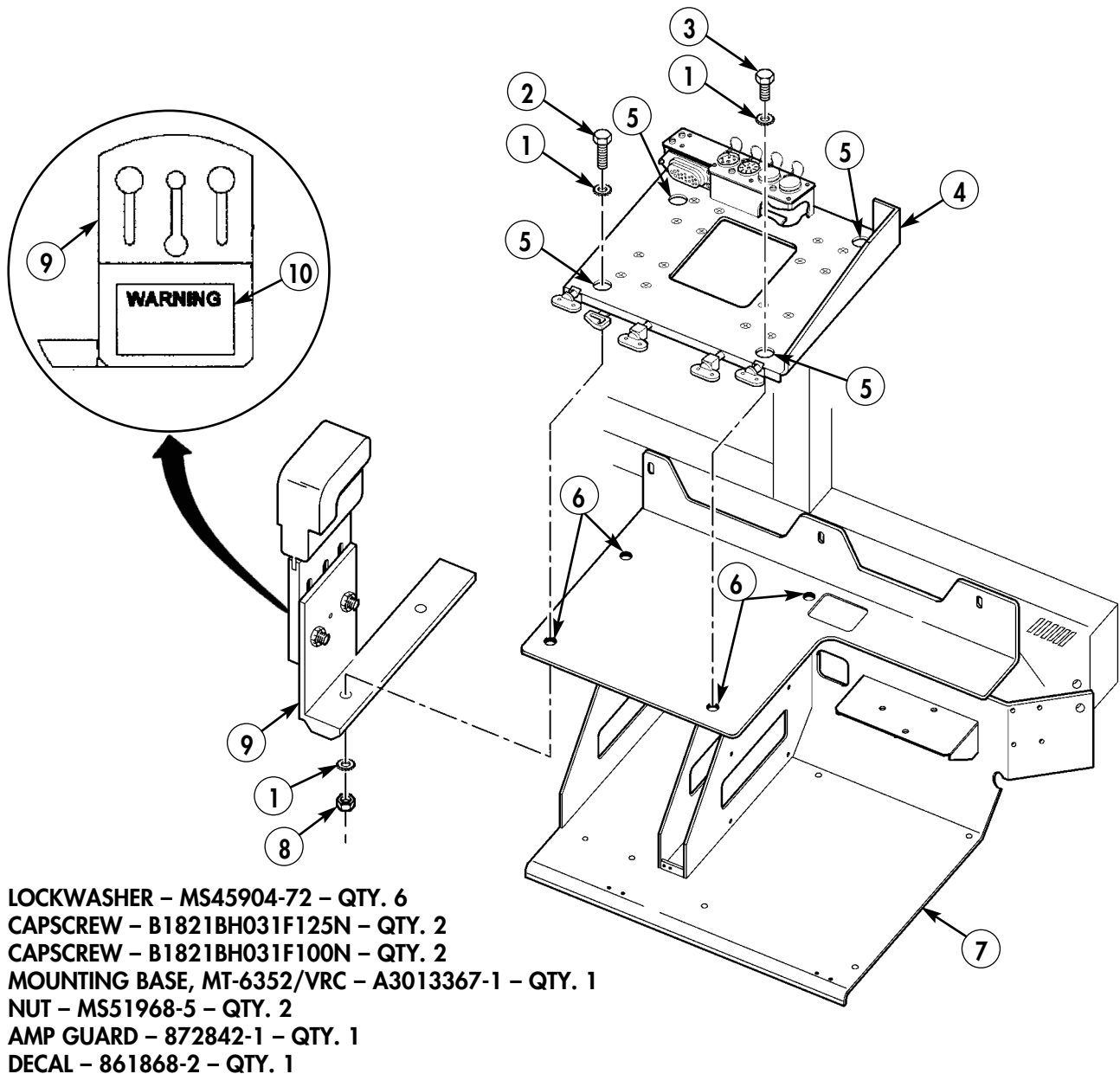
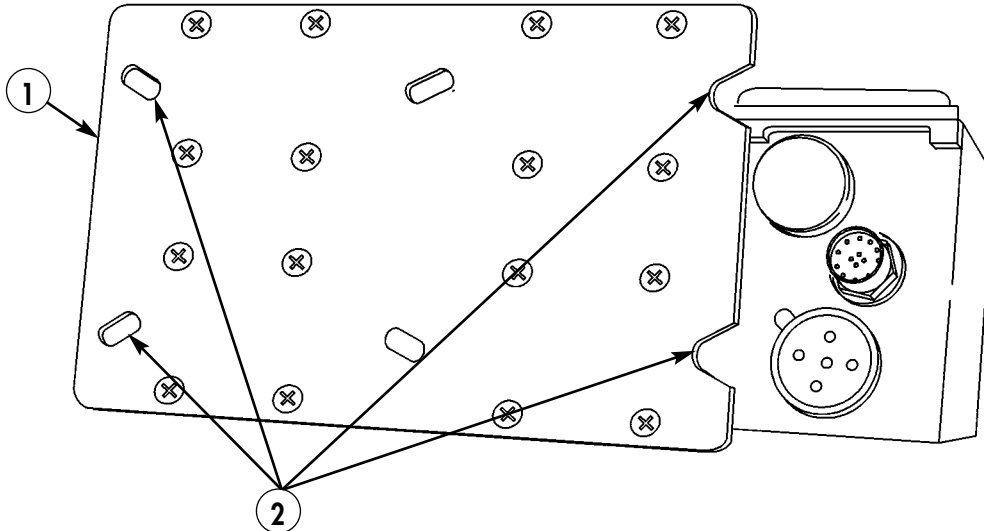


Figure 5-18.

Section X. POWER AMPLIFIER INSTALLATION

- 10-1. Remove paint from vicinity of four mounting areas (2) on MT-6353/VRC mounting base (1) and apply anti-seize compound as required.



1. MOUNTING BASE, MT-6353/VRC - A3014053-1 - QTY. 1

Figure 5-19.

- 10-2. Remove paint from vicinity of four mounting holes (4) on integrated rack (3) and apply anti-seize compound as required.

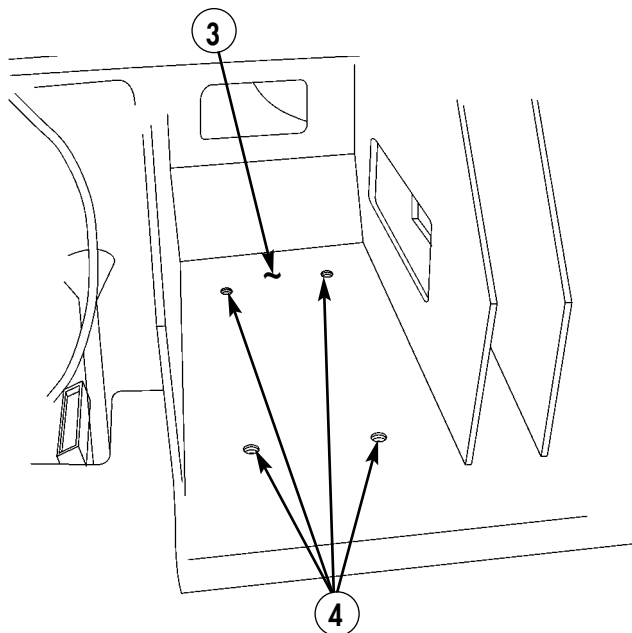
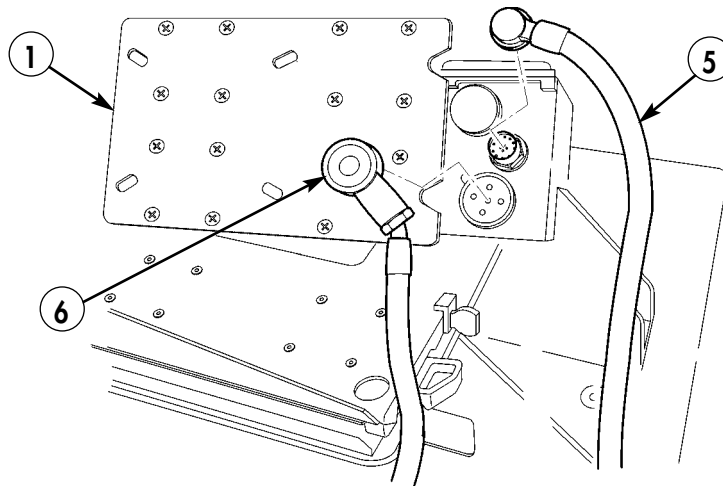


Figure 5-20.

- 10-3. Attach control cable (5) to MT-6353/VRC mounting base (1).
- 10-4. Attach power cable (6) to MT-6353/VRC mounting base (1).
- 10-5. Route cables (5) and (6) through hole in back of integrated rack (3).



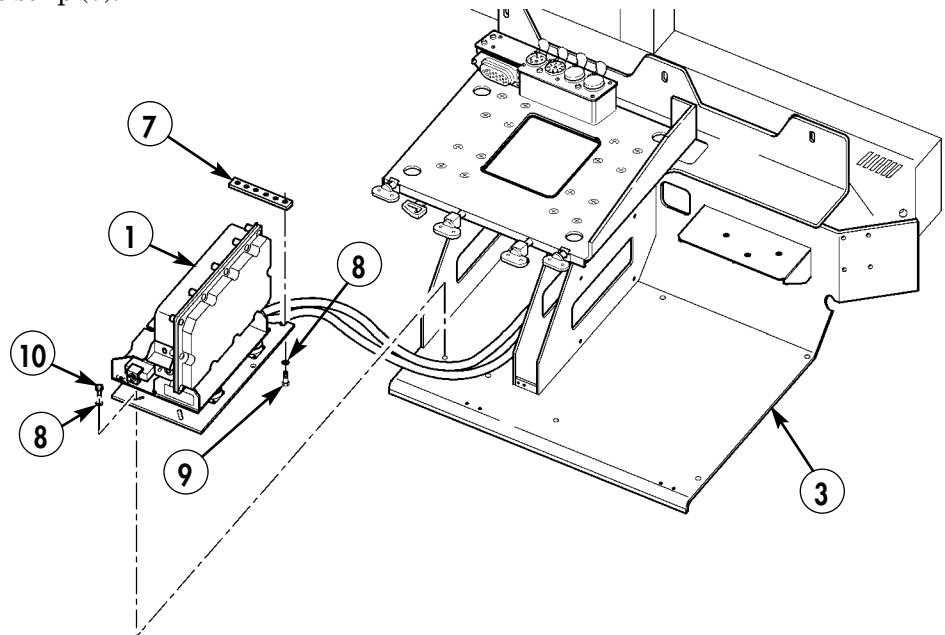
- 5. CONTROL CABLE – A3210672-1 – QTY. 1
- 6. POWER CABLE – A3154857-1 – QTY. 1

Figure 5-21.

NOTE

Ensure control cable and power cable are routed through hole in back of integrated rack before installing MT-6353/VRC mounting base.

- 10-6. Attach MT-6353/VRC mounting base (1) to integrated rack (3) with four capscrews (9) and (10), four lockwashers (8), and nut strip (7).

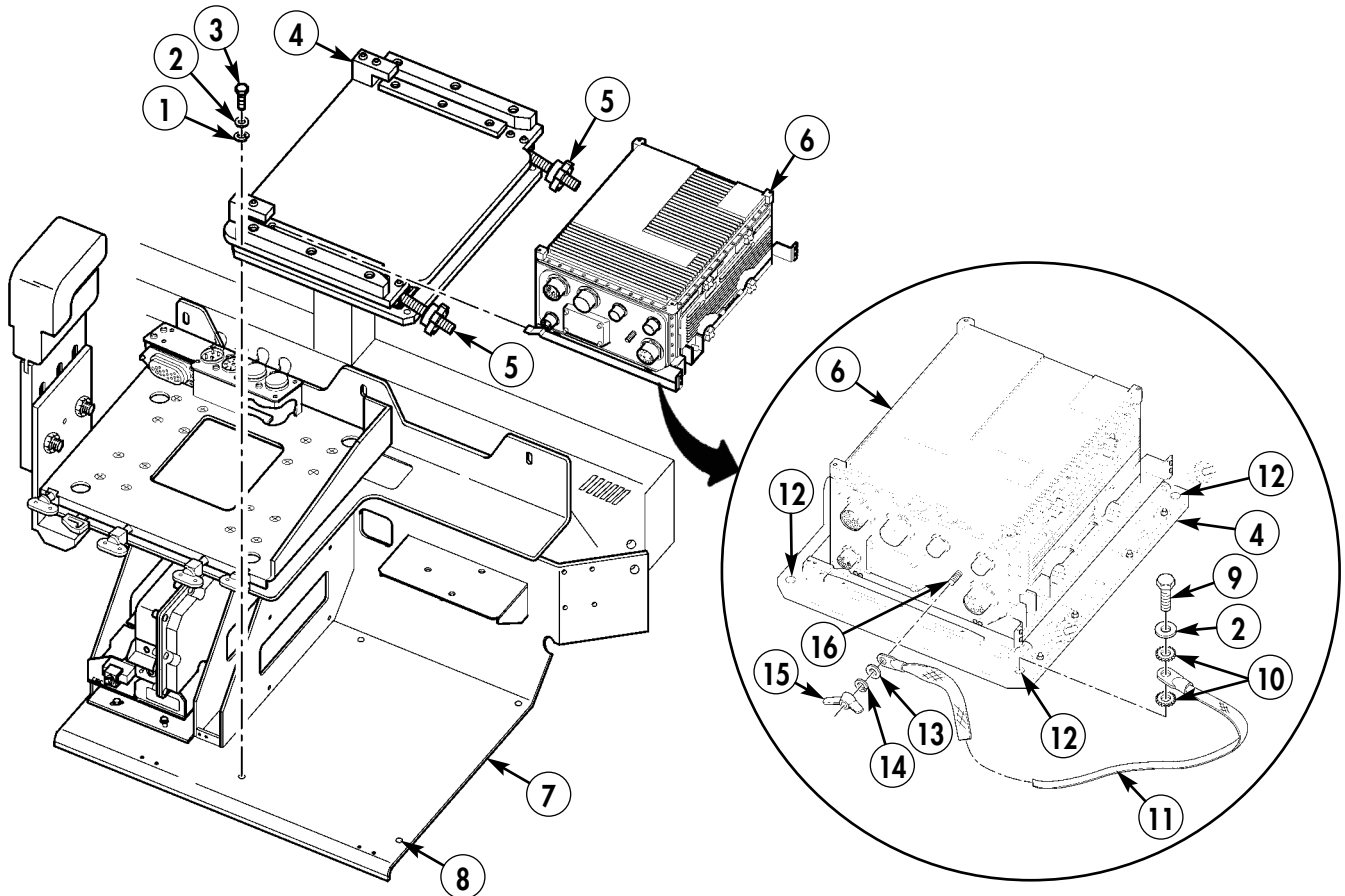


- 7. NUT STRIP – A3014064-1 – QTY. 1
- 8. LOCKWASHER – MS45904-72 – QTY. 4
- 9. CAPSCREW – B1821BH031F125N – QTY. 2
- 10. CAPSCREW – B1821BH031F075N – QTY. 2

Figure 5-22.

Section XI. FFCB2 COMPONENTS INSTALLATION

- 11-1. Remove paint from vicinity of hole (8) on integrated rack (7) and on both sides from vicinity of corresponding hole (12) on CPU isolation kit (4). Apply anti-seize compound as required.
- 11-2. Install CPU isolation kit (4) on integrated rack (7) with three capscrews (3), washers (2), and lockwashers (1), leaving open holes (8) and (12).
- 11-3. Install CPU (6) on CPU isolation kit (4) with two existing fastener guards (5).
- 11-4. Fabricate ground strap (11) from 8.00-in. length of braided wire and two terminal lugs.
- 11-5. Install ground strap (11) on CPU ground stud (16) with existing washer (13), lockwasher (14), and wingnut (15).
- 11-6. Install ground strap (11) on CPU isolation kit (4) and integrated rack (7) with capscrew (9), washer (2), and two lockwashers (10).



1. LOCKWASHER – MS35338-44 – QTY. 3
2. WASHER – 2436161 – QTY. 4
3. CAPSCREW – B1821BH025C100N – QTY. 3
4. CPU ISOLATION KIT – 872826-2 – QTY. 1
6. CPU – 881292-1 – QTY. 1
9. CAPSCREW – B1821BH025C125N – QTY. 1
10. LOCKWASHER – MS45904-68 – QTY. 2
11. CPU GROUND STRAP
 - BRAIDED WIRE – AA59569F30T0375 – QTY. A/R
 - TERMINAL LUG – MS20659-141 – QTY. 2

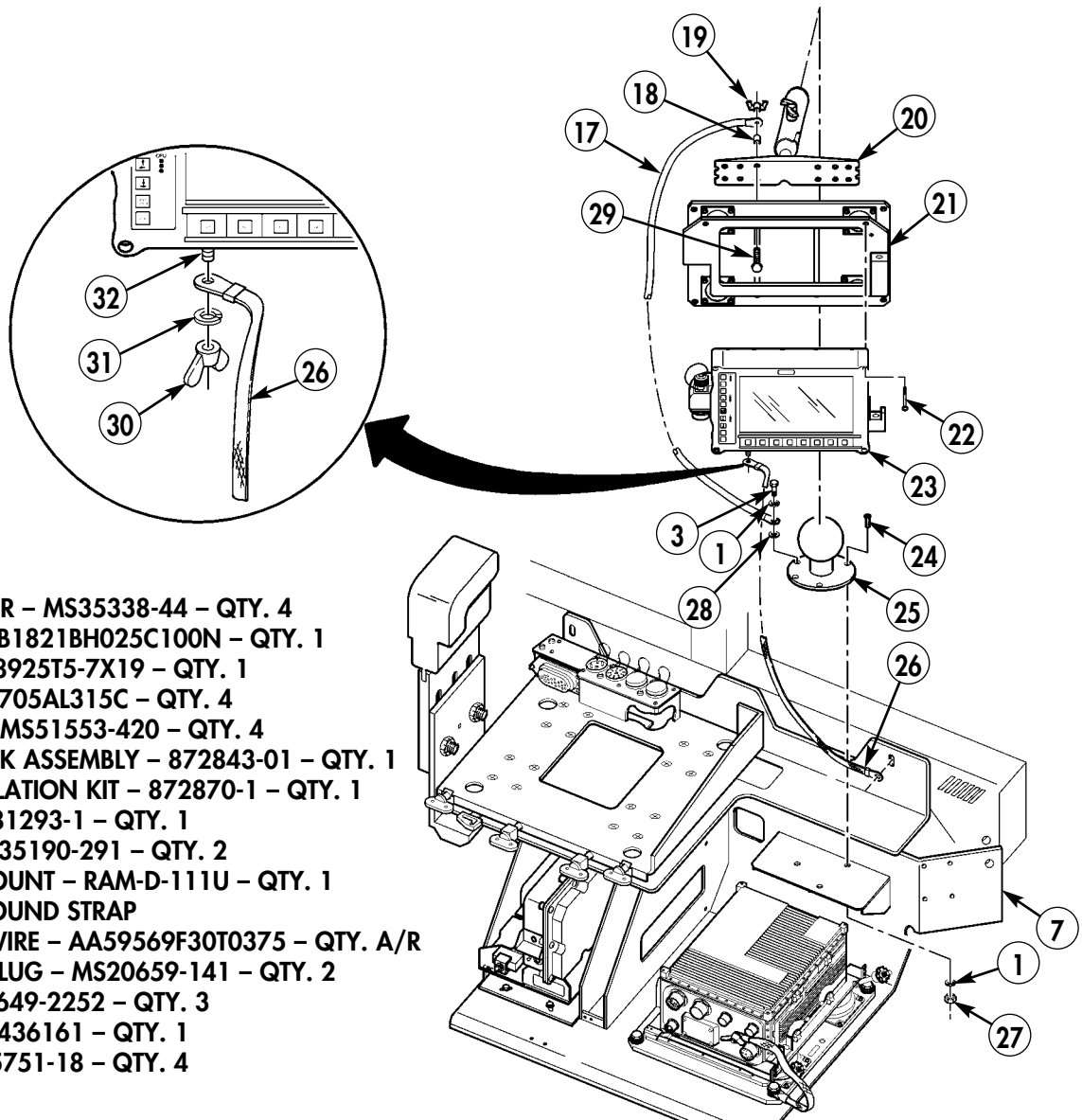
Figure 5-23.

- 11-7. Install ramball mount (25) on integrated rack (7) with two screws (24), screw (3), lockwasher (1), lanyard (17), washer (28), three lockwashers (1), and nuts (27).
- 11-8. Install display isolation kit (21) on display lock assembly (20) with four bolts (29), spacers (18), lanyard (17), and four wingnuts (19).
- 11-9. Install display unit (23) on display isolation kit (21) with four screws (22).
- 11-10. Install display lock assembly (20) on ramball mount (25).
- 11-11. Fabricate display ground strap (26) from 8-in. length of braided wire and two terminal lugs.

NOTE

Remove paint from vicinity of integrated rack mounting hole before performing step 11-12. Apply anti-seize compound as required. Ground strap will be installed on integrated rack only when integrated rack is fully secured in vehicle.

- 11-12. Install display ground strap (26) on display ground stud (32) with existing lockwasher (31) and wingnut (30).



- 1. LOCKWASHER – MS35338-44 – QTY. 4
- 3. CAPSCREW B1821BH025C100N – QTY. 1
- 17. LANYARD – 8925T5-7X19 – QTY. 1
- 18. SPACER – 10705AL315C – QTY. 4
- 19. WINGNUT – MS51553-420 – QTY. 4
- 20. DISPLAY LOCK ASSEMBLY – 872843-01 – QTY. 1
- 21. DISPLAY ISOLATION KIT – 872870-1 – QTY. 1
- 23. DISPLAY – 881293-1 – QTY. 1
- 24. SCREW – MS35190-291 – QTY. 2
- 25. RAMBALL MOUNT – RAM-D-111U – QTY. 1
- 26. DISPLAY GROUND STRAP
 - BRAIDED WIRE – AA59569F30T0375 – QTY. A/R
 - TERMINAL LUG – MS20659-141 – QTY. 2
- 27. NUT – MS35649-2252 – QTY. 3
- 28. WASHER – 2436161 – QTY. 1
- 29. BOLT – MS35751-18 – QTY. 4

Figure 5-24.

Section XII. LOUDSPEAKER AND MULTI-NET RACK INSTALLATION

NOTE

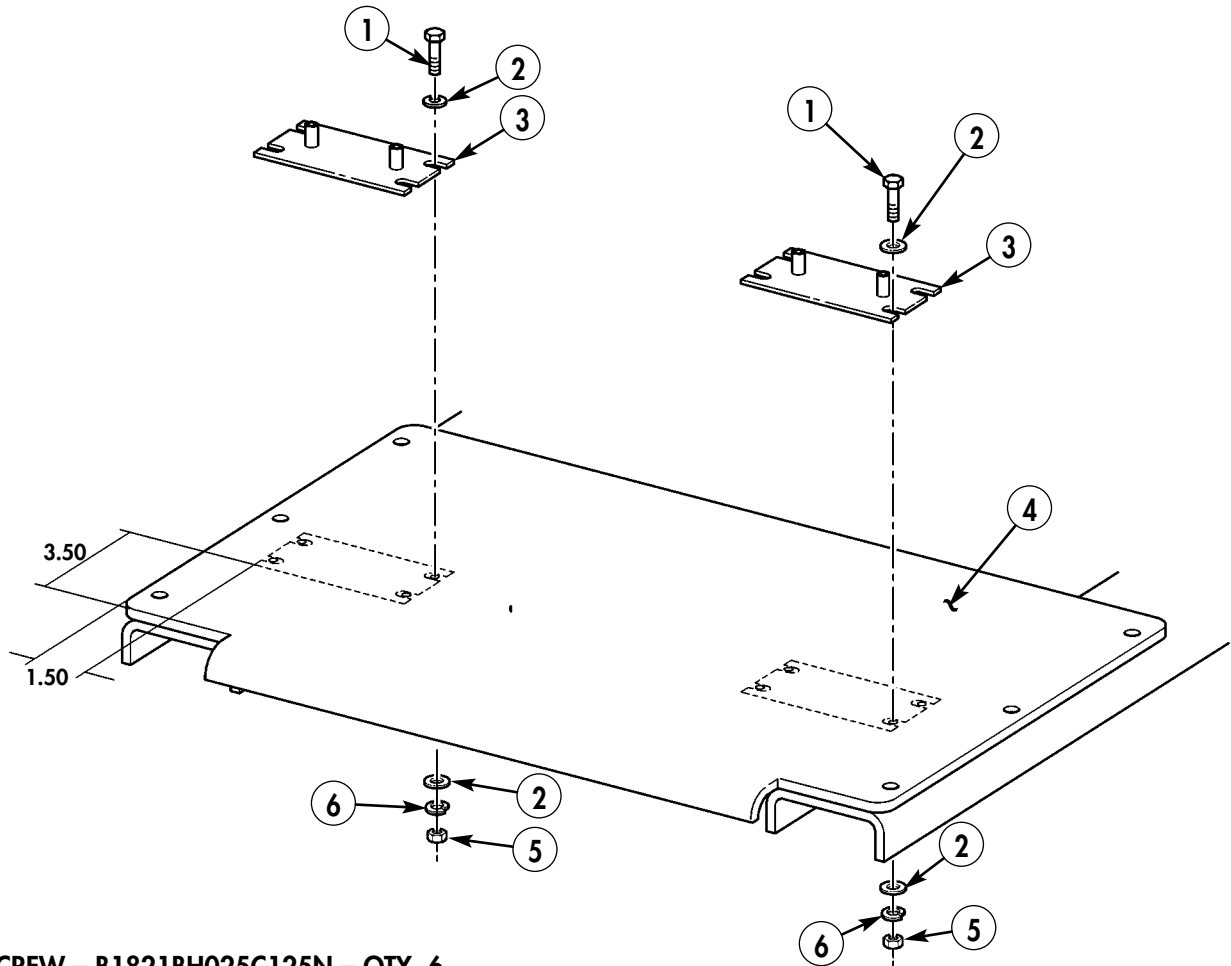
Remove paint from vicinity of all mounting holes.

- 12-1. Using four speaker mounting plates (3) as templates, locate, mark, and drill sixteen 0.281-in. diameter holes in lower shelf (4).

NOTE

- To ensure proper fit, keep mounting holes near outside edge of speaker mounting plate holes.
- Do not install screws in two far-left side mounting holes at this time. These holes align with the frame and require longer screws. These screws are installed in step 12-3.

- 12-2. Install four speaker mounting plates (3) on lower shelf (4) with fourteen capscrews (1), twenty-eight washers (2), fourteen lockwashers (6), and nuts (5).



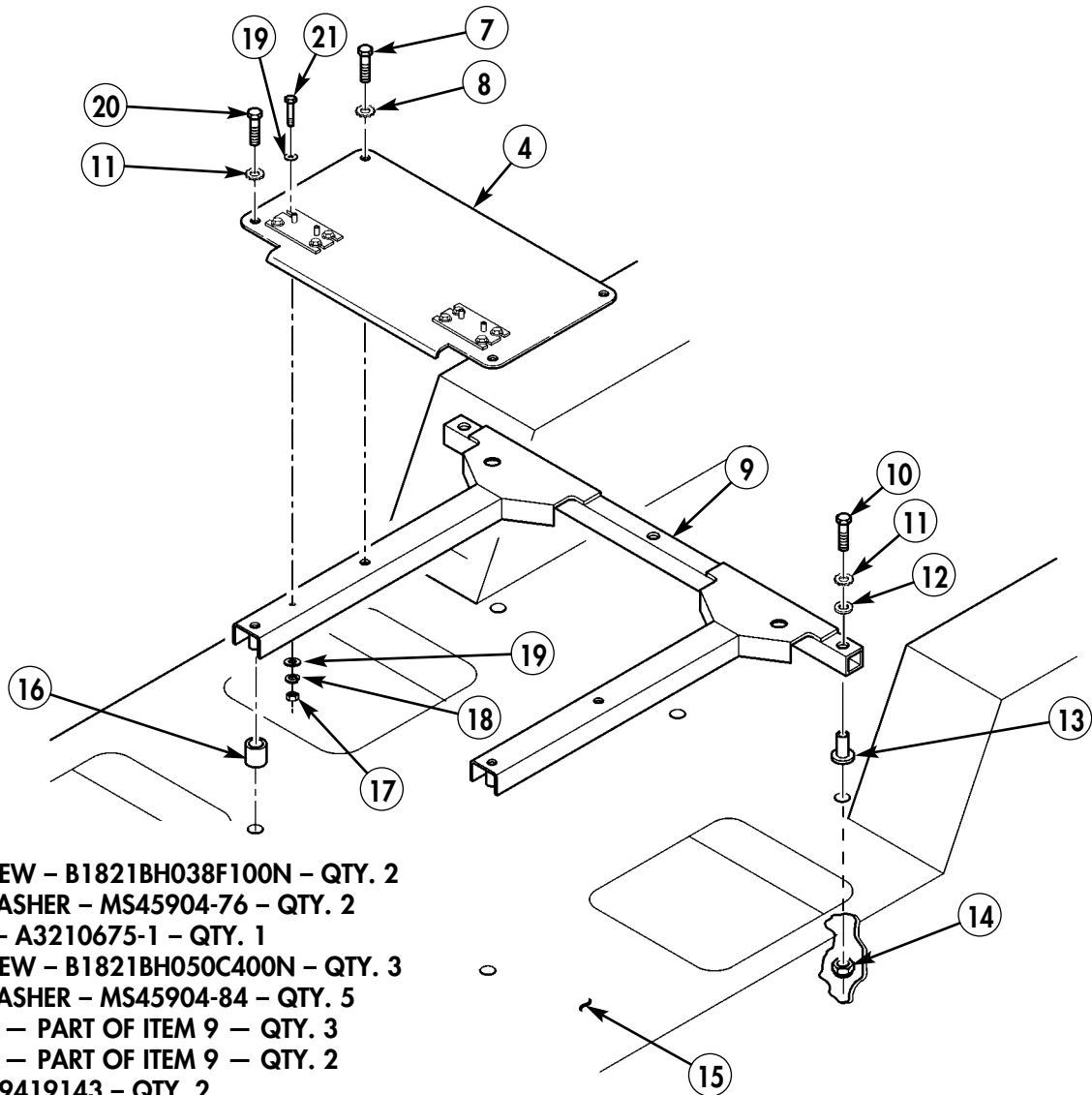
1. CAPSCREW - B1821BH025C125N - QTY. 6
2. WASHER - 2436161 - QTY. 12
3. MOUNTING PLATE - A3014550-1 - QTY. 2
5. NUT - 9419143 - QTY. 6
6. LOCKWASHER - MS35338-44 - QTY. 6

Figure 5-25.

NOTE

- Use existing D-ring holes to mount frame and shelf. Older model trucks have existing strux nuts. If installing multi-net rack on a newer model vehicle, use locknuts.
- Any missing strux nuts must be replaced by locknuts.

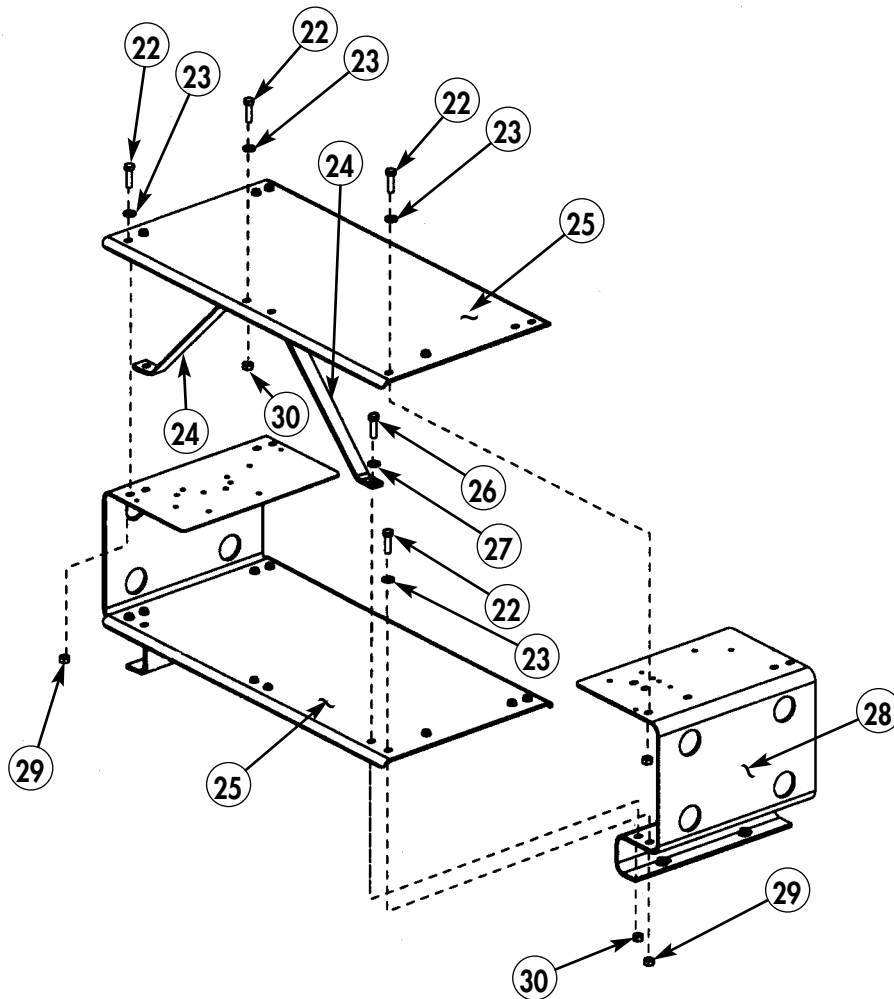
- 12-3.** Install lower shelf (4) on frame (9) with two capscrews (21), four washers (19), two lockwashers (18), and nuts (17).
- 12-4.** Install lower shelf (4) and frame (9) on cargo bed (15) with two capscrews (20), lockwashers (11), spacers (16), and locknuts (14) if necessary.
- 12-5.** Install lower shelf (4) on frame (9) and cargo bed (15) with two capscrews (7), lockwashers (8), and locknuts (14) if necessary.
- 12-6.** Install frame (9) on cargo bed (15) with three capscrews (10), lockwashers (11), washers (12), spacers (13), and locknuts (14) if necessary.



7. CAPSCREW - B1821BH038F100N - QTY. 2
 8. LOCKWASHER - MS45904-76 - QTY. 2
 9. FRAME - A3210675-1 - QTY. 1
 10. CAPSCREW - B1821BH050C400N - QTY. 3
 11. LOCKWASHER - MS45904-84 - QTY. 5
 13. SPACER - PART OF ITEM 9 - QTY. 3
 16. SPACER - PART OF ITEM 9 - QTY. 2
 17. NUT - 9419143 - QTY. 2
 18. LOCKWASHER - MS35338-44 - QTY. 2
 19. WASHER - 2436161 - QTY. 4
 20. CAPSCREW - B1821BH050C450N - QTY. 2
 21. CAPSCREW - B1821BH025C150N - QTY. 2

Figure 5-26.

- 12-7. Attach braces (24) to top shelf (25) with two screws (22), two lockwashers (23), and two nuts (29).
- 12-8. Attach side racks (28) to bottom shelf (25) with eight screws (22), eight lockwashers (23), and eight nuts (29).
- 12-9. Position top shelf (25) on side racks (28) and secure with eight screws (22), eight lockwashers (23), and eight nuts (29).
- 12-10. Secure braces (24) to lower shelf (25) with two screws (26), four washers (27), and two nuts (30).



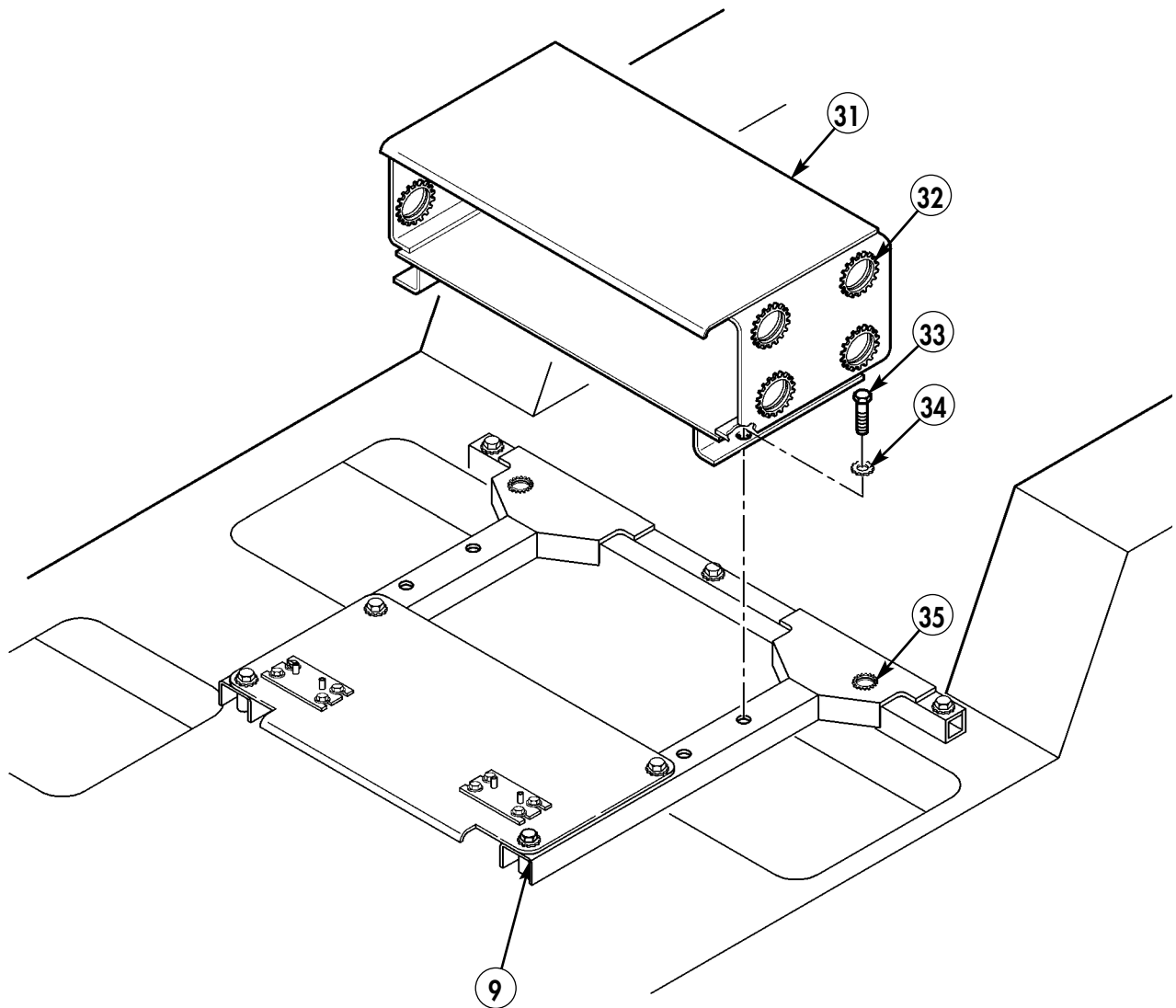
- 22. SCREW - MS90726-36 - QTY. 18
- 23. LOCKWASHER - MS45904-72 - QTY. 36
- 24. BRACKET, ANGLE - A3046237 - QTY. 2
- 25. SHELF, ELECTRICAL - A3046236 - QTY. 2
- 26. SCREW - MS90725-8 - QTY. 2
- 27. WASHER - 2436161 - QTY. 4
- 28. BRACKET, RADIO RACK - A3046235 - QTY. 2
- 29. NUT - MS51967-5 - QTY. 18
- 30. NUT - MS51967-2 - QTY. 2

Figure 5-27.

NOTE

Remove paint from vicinity of all mounting holes. Apply anti-seize compound as required.

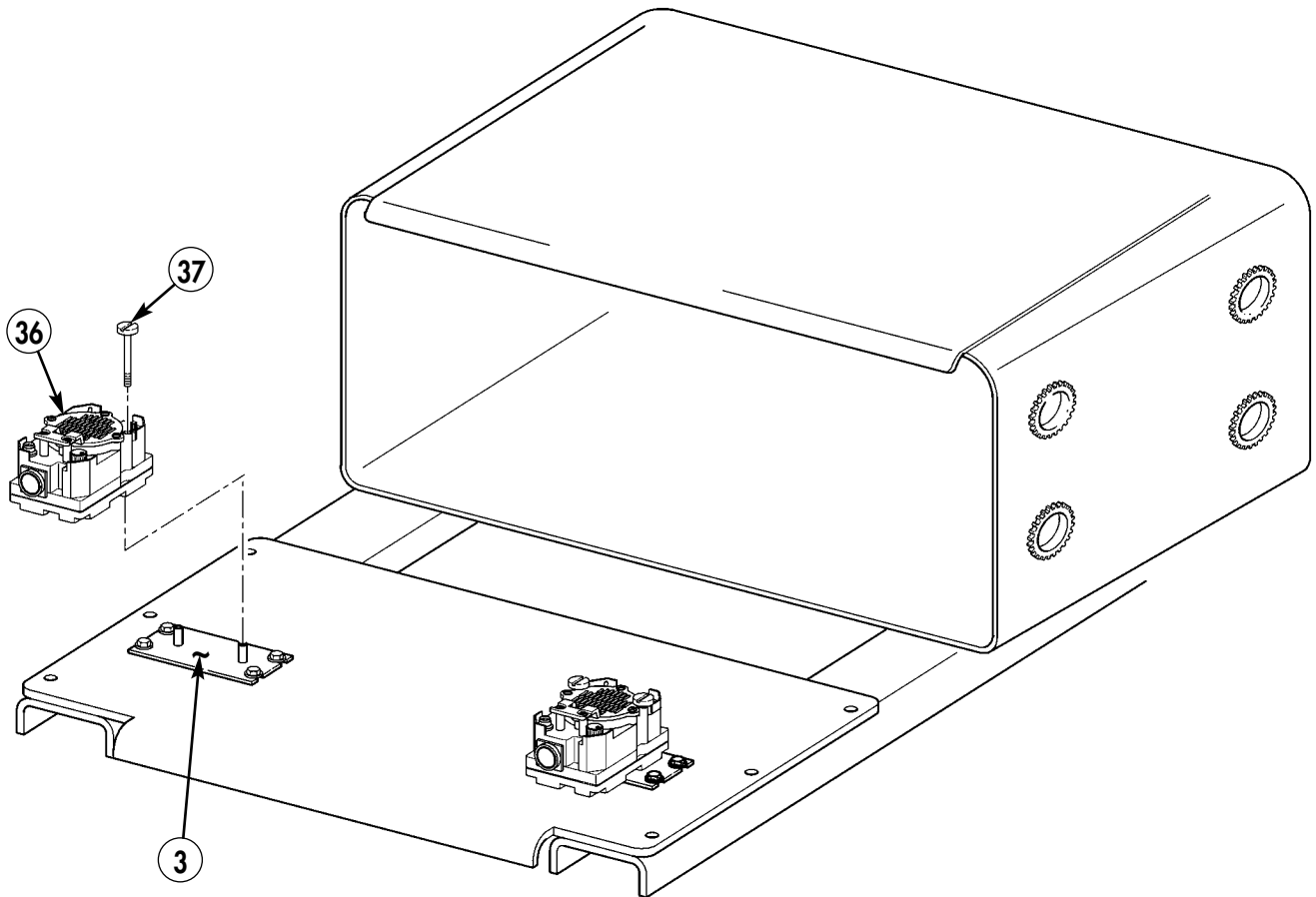
- 12-11. Install assembled multi-net rack (31) on frame (9) with four capscrews (33) and lockwashers (34).
- 12-12. Install grommet material (32) in eight holes of multi-net rack (31).
- 12-13. Install grommet material (35) in two holes of frame (9).



- 32. GROMMET MATERIAL – MS21266-6N – QTY. A/R
- 33. CAPSCREW – B1821BH038F100N – QTY. 4
- 34. LOCKWASHER – MS45904-76 – QTY. 4
- 35. GROMMET MATERIAL – MS21266-4N – QTY. A/R

Figure 5-28.

12-14. Install four loudspeakers (36) on speaker mounting plates (3) with eight existing externally relieved body screws (37).

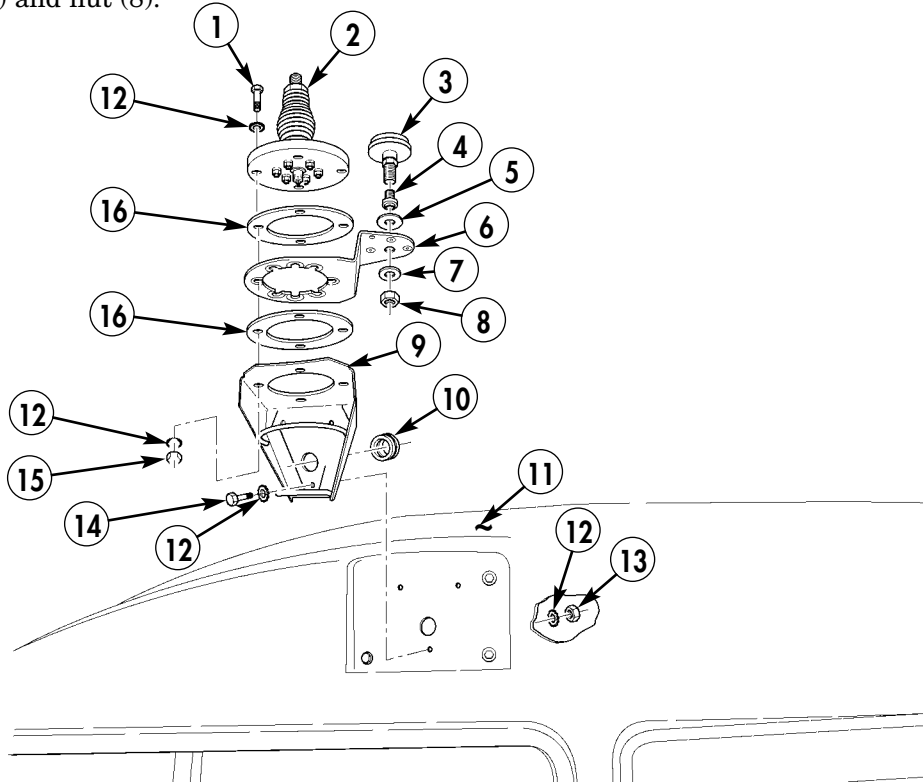


- 36. LOUDSPEAKER – A3014065-1 – QTY. 2
- 37. EXTERNALLY-RELIEVED BODY SCREW – A3018701-2 – QTY. 4

Figure 5-29.

Section XIII. LEFT-SIDE EPLRS ANTENNA INSTALLATION

- 13-1. Install grommet (10) on antenna bracket (9).
- 13-2. Position antenna (2), gasket (16), NTDR antenna bracket (6), and gasket (16) on antenna mounting bracket (9).
- 13-3. Install antenna (2) on antenna mounting bracket (9) with four capscrews (1), eight lockwashers (12), and four nuts (15).
- 13-4. Install antenna mounting bracket (9) on fiberglass body (11) with three capscrews (14), six lockwashers (12), and three nuts (13).
- 13-5. Install NTDR antenna (3), adapter (4), and gasket (5) to NTDR antenna bracket (6). Secure with washer (7) and nut (8).

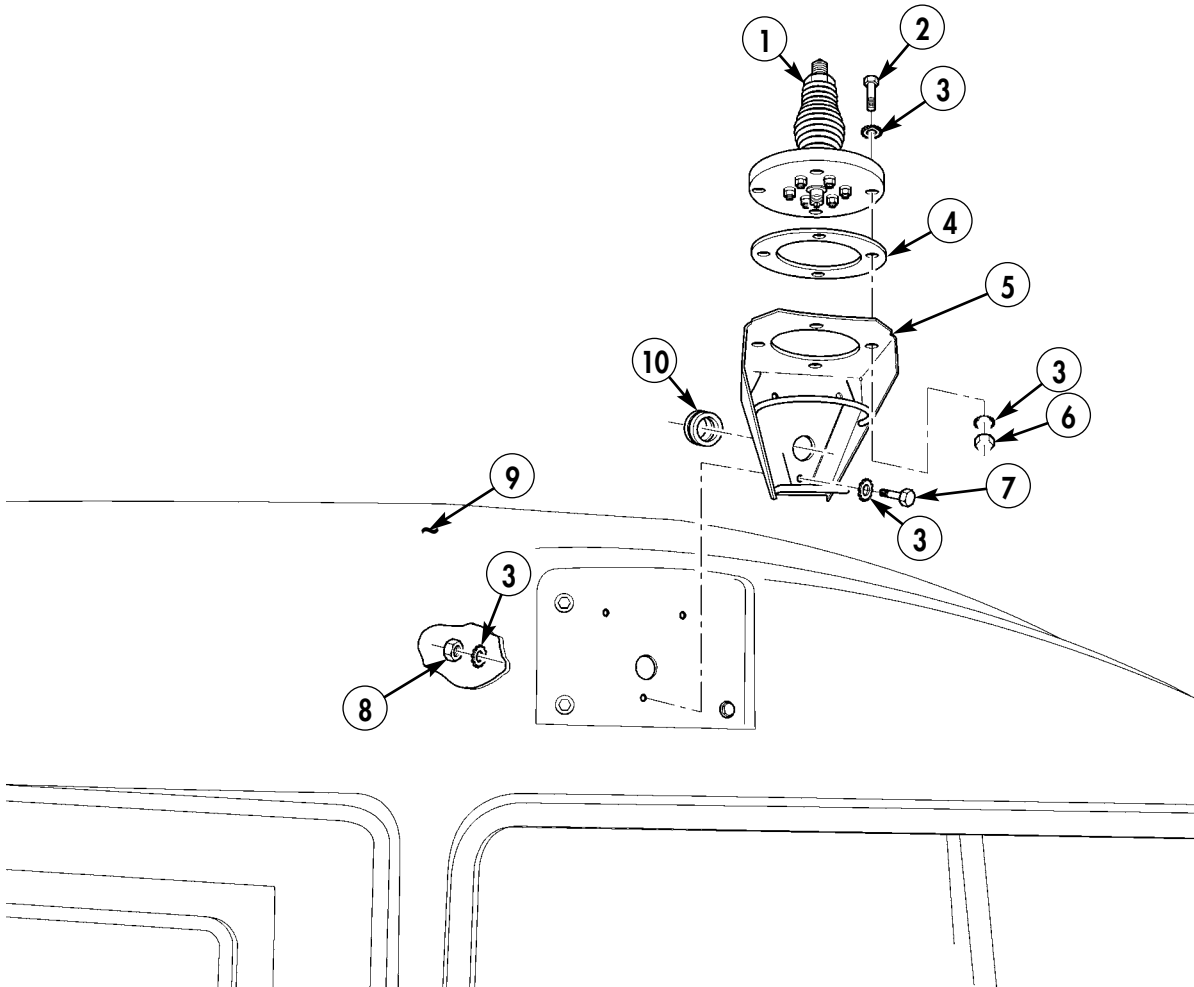


- 1. CAPSCREW – MS35307-365 – QTY. 4
- 2. ANTENNA – A3005031 – QTY. 1
- 3. ANTENNA (NTDR) – 8173964-1 – QTY. 1
- 4. ADAPTER – N/A – QTY. 1
- 5. GROMMET – N/A – QTY. 1
- 6. BRACKET – N/A – QTY. 1
- 7. WASHER – N/A – QTY. 1
- 8. NUT – N/A – QTY. 1
- 9. ANTENNA MOUNTING BRACKET – A3014546-1 – QTY. 1
- 10. GROMMET – 12338098 – QTY. 1
- 12. LOCKWASHER – MS45904-72 – QTY. 14
- 13. NUT – 9418892 – QTY. 3
- 14. CAPSCREW – B1821BH031F125N – QTY. 3
- 15. NUT – 13218E0320-293 – QTY. 4
- 16. GASKET – A3013655-1 – QTY. 2

Figure 5-30.

Section XIV. RIGHT-SIDE EPLRS ANTENNA INSTALLATION

- 14-1. Install grommet (10) on antenna bracket (5).
- 14-2. Position antenna (1) and gasket (4) on antenna mounting bracket (5).
- 14-3. Install antenna (1) on antenna mounting bracket (5) with four capscrews (2), eight lockwashers (3), and four nuts (6).
- 14-4. Install antenna mounting bracket (5) on fiberglass body (9) with three capscrews (7), six lockwashers (3), and three nuts (8).

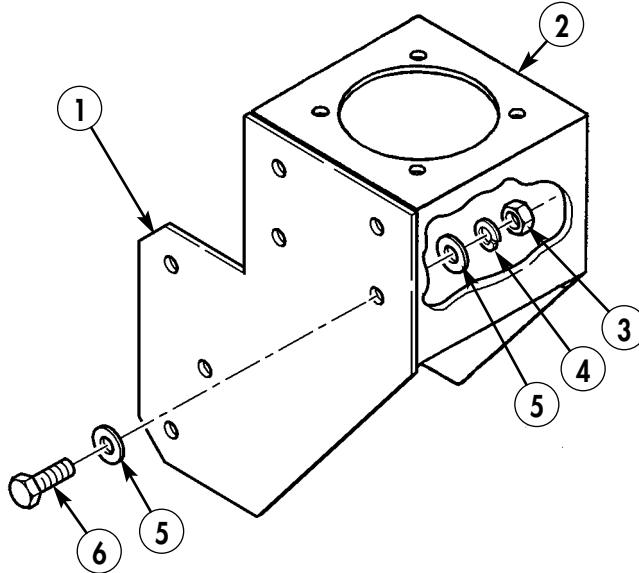


- 1. ANTENNA - A3005031 - QTY. 1
- 2. CAPSCREW - MS35307-365 - QTY. 4
- 3. LOCKWASHER - MS45904-72 - QTY. 14
- 4. GASKET - A3013655-1 - QTY. 1
- 5. ANTENNA MOUNTING BRACKET - A3014546-1 - QTY. 1
- 6. NUT - 13218E0320-293 - QTY. 4
- 7. CAPSCREW - B1821BH031F125N - QTY. 3
- 8. NUT - 9418892 - QTY. 3
- 10. GROMMET - 12338098 - QTY. 1

Figure 5-31.

SECTION XV. LEFT-SIDE SINGGARS ANTENNA INSTALLATION

15-1. Install angle plate (1) on antenna support (2) with four screws (6), eight washers (5), four lockwashers (4), and four nuts (3).



- 1. PLATE (ANGLED) – A3103740 – QTY. 1
- 2. ANTENNA SUPPORT – A3103782 – QTY. 1
- 3. NUT – MS35690-610 – QTY. 4
- 4. LOCKWASHER – MS35338-141 – QTY. 4
- 5. WASHER – MS15795-814 – QTY. 8
- 6. SCREW – MS90725-64 – QTY. 4

Figure 5-32.

15-2. Using angle plate (1) as template, locate, mark, and drill three 0.406-in. diameter holes on left-side rear wheelhouse (7).

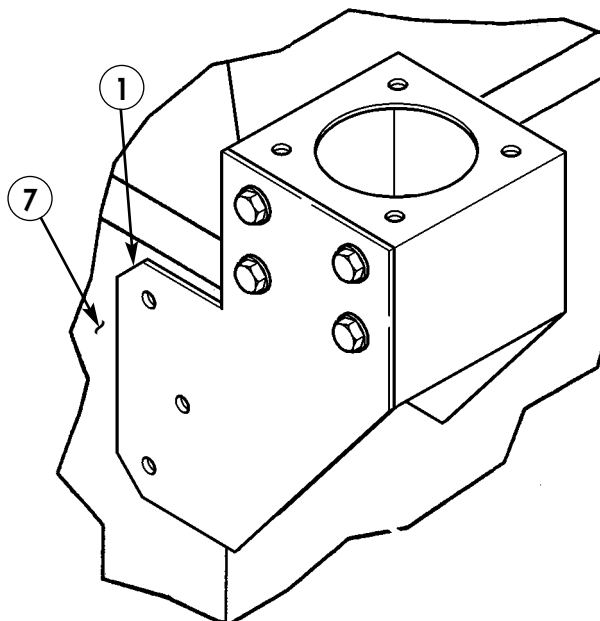
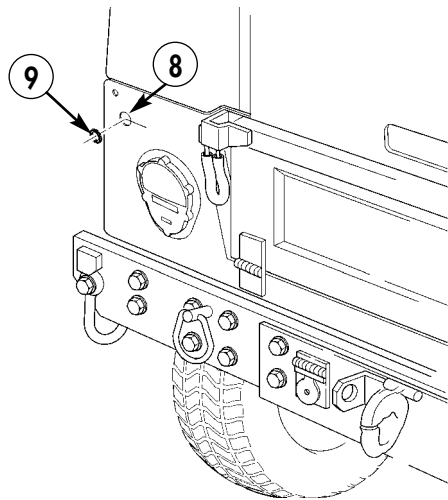


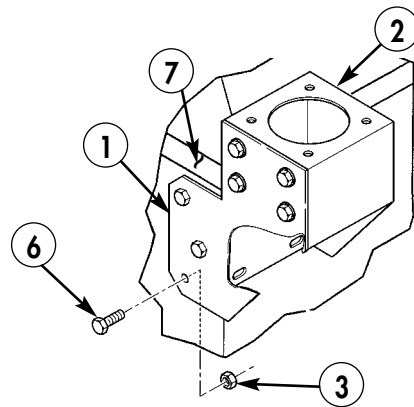
Figure 5-33.

15-3. Install 4.250-in. piece of plastic-edge grommet (9) in hole of fiberglass body (8).

15-4. Secure antenna support (2) and angle plate (1) to left side of fiberglass body (7) with screws (6) and nuts (3).



9. GROMMET - MS21266-4N - QTY. A/R
Figure 5-34.



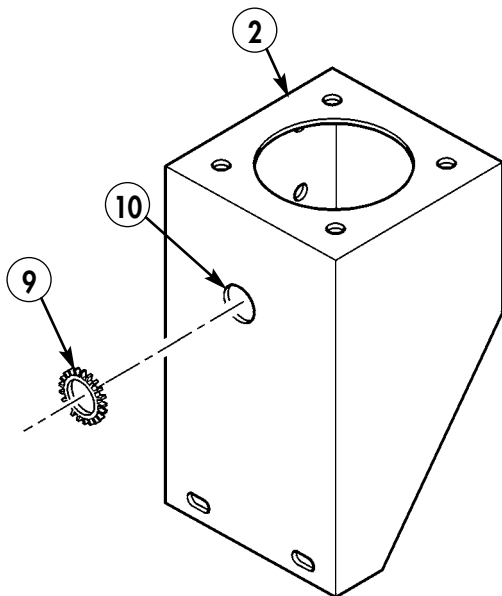
3. NUT - MS35690-610 - QTY. 3
6. SCREW - MS90725-64 - QTY. 3

Figure 5-35.

15-5. Install 4.250-in. piece of plastic-edge grommet (9) in hole (10) of antenna bracket (2).

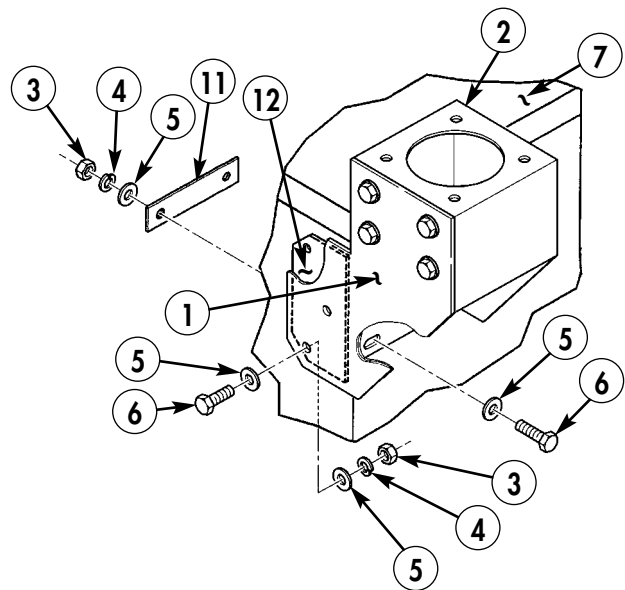
15-6. Secure angle plate (1) and antenna support (2) to left side of fiberglass body (7) with backing plate (12), three screws (6), six washers (5), three lockwashers (4), and three nuts (3).

15-7. Secure antenna support (2) to left side of fiberglass body (7) with plate (11), two screws (6), four washers (5), two lockwashers (4), and two nuts (3).



9. GROMMET - MS21266-4N - QTY. A/R

Figure 5-36.



3. NUT - MS35690-610 - QTY. 5
4. LOCKWASHER - MS35338-141 - QTY. 5
5. WASHER - MS15795-814 - QTY. 10
6. SCREW - MS90725-64 - QTY. 5
11. PLATE - A3103784 - QTY. 1
12. BACKING PLATE - A3046222 - QTY. 1

Figure 5-37.

- 15-8.** Install upper half of antenna mount (14) to lower half of antenna mount (17) with four screws (15), eight washers (5), four lockwashers (4), and nuts (3).

NOTE

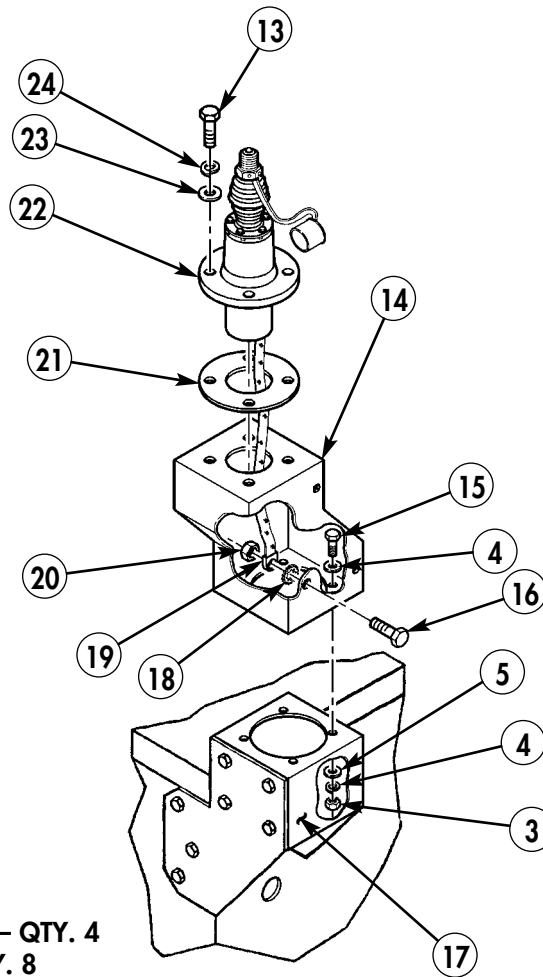
Ensure holes in antenna base and grommet are aligned with weldnut holes in mounting bracket.

- 15-9.** Install antenna (22) and gasket (21) on top of antenna offset mount (14) and secure with four screws (13), lockwashers (24), and washers (23).

NOTE

Prior to securing antenna ground lead, enlarge hole on offset mount with 9/32-in. drill bit to allow 1/4-in. screw to fit.

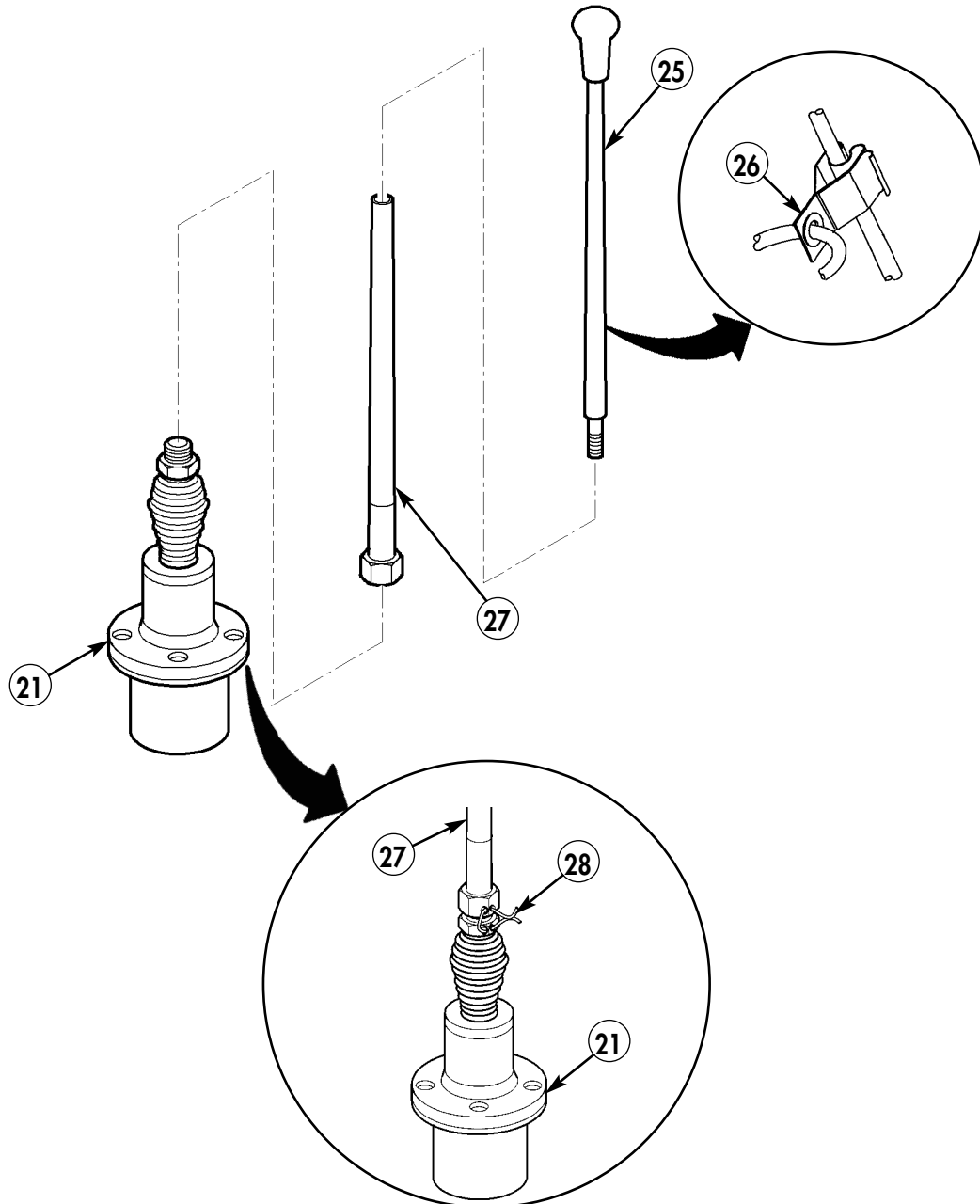
- 15-10.** Secure antenna ground lead (19) to antenna offset mount (14) with screw (16), lockwasher (18), and nut (20).



3. NUT – MS35690-610 – QTY. 4
 4. LOCKWASHER – MS35338-141 – QTY. 4
 5. WASHER – MS15795-814 – QTY. 8
 13. CAPSCREW – MS35307-365 – QTY. 4
 15. SCREW – MS90725-62 – QTY. 4
 16. SCREW – MS35207-263 – QTY. 1
 18. LOCKWASHER – MS45904-68 – QTY. 2
 20. NUT – MS35650-302 – QTY. 1
 21. GASKET – A3013655-1 – QTY. 1
 22. ANTENNA – A3017899-2 – QTY. 1
 23. WASHER – 2436163 – QTY. 8
 24. LOCKWASHER – MS45904-72 – QTY. 4

Figure 5-38.

- 15-11. Attach upper antenna element (25) to lower antenna element (27).
- 15-12. Attach antenna assembly to antenna base (21).
- 15-13. Attach fiber rope assembly (26) to upper antenna element (25).
- 15-14. Secure lower antenna element (27) to antenna base (21) with lockwire (28).

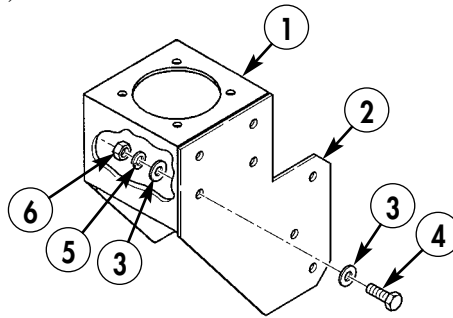


- 25. UPPER ANTENNA ELEMENT – A3017901-2 – QTY. 1
- 27. LOWER ANTENNA ELEMENT – A3018230-1 – QTY. 1
- 28. LOCKWIRE – MS20995C32 – QTY. A/R

Figure 5-39.

SECTION XVI. RIGHT-SIDE SINGARS ANTENNA INSTALLATION

16-1. Install angle plate (2) on antenna support (1) with four screws (4), eight washers (3), four lockwashers (5), and four nuts (6).



- | | |
|--|--------------------------------------|
| 1. ANTENNA SUPPORT – A3103782 – QTY. 1 | 4. SCREW – MS90725-64 – QTY. 4 |
| 2. PLATE (ANGLED) – A3103740 – QTY. 1 | 5. LOCKWASHER – MS35338-141 – QTY. 4 |
| 3. WASHER – MS15795-814 – QTY. 8 | 6. NUT – MS35690-610 – QTY. 4 |

Figure 5-40.

16-2. Using angle plate (2) as template, locate, mark, and drill three 0.406-in. diameter holes on right-side rear wheelhouse (7).

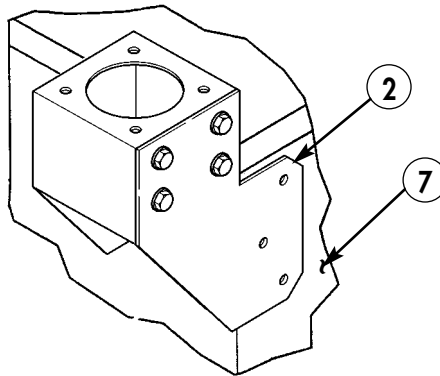
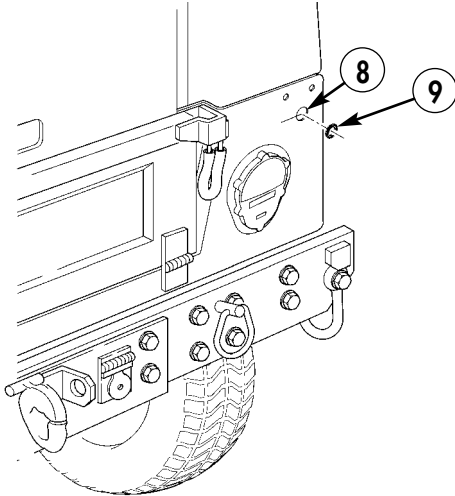


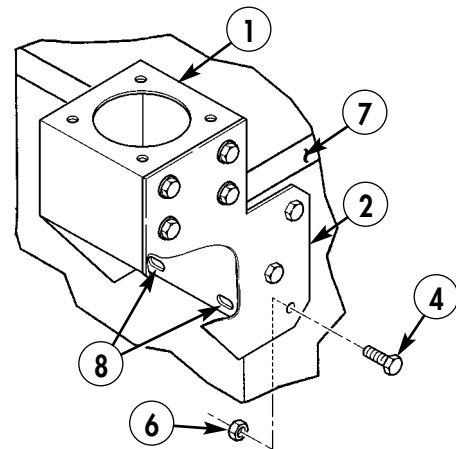
Figure 5-41.

- 16-3. Install 4.250-in. piece of plastic-edge grommet (9) in existing hole of fiberglass body (8).
- 16-4. Secure antenna support (1) and angle plate (2) to right side of fiberglass body (7) with three screws (4) and three nuts (6).
- 16-5. Using antenna support (1) as template, locate, mark, and drill two 0.406-in. diameter holes (8) on fiberglass body (7).



9. GROMMET - MS21266-4N - QTY. A/R

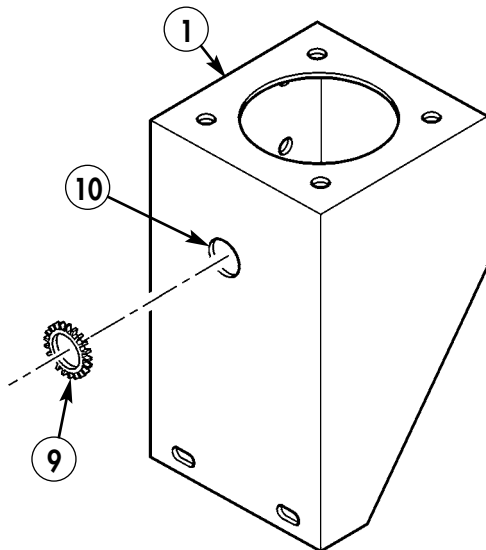
Figure 5-42.



4. SCREW - MS90725-64 - QTY. 3
6. NUT - MS35690-610 - QTY. 3

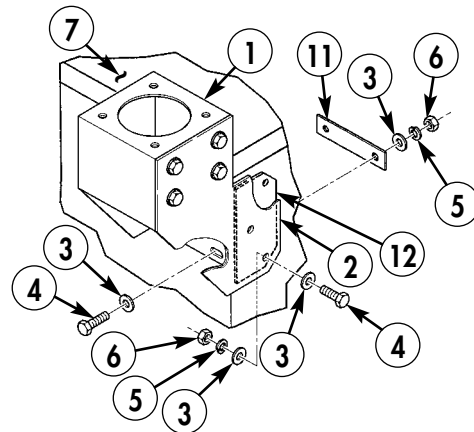
Figure 5-43.

- 16-6. Install 4.250-in. piece of plastic-edge grommet (9) in hole of antenna bracket (10).
- 16-7. Secure angle plate (2) and antenna support (1) to right side of fiberglass body (7) with backing plate (12), three screws (4), six washers (3), three lockwashers (5), and three nuts (6).
- 16-8. Secure antenna support (1) to right side of fiberglass body (7) with plate (11), two screws (4), four washers (3), two lockwashers (5), and two nuts (6).



9. GROMMET - MS21266-4N - QTY. A/R

Figure 5-44.



3. WASHER - MS15795-814 - QTY. 10
4. SCREW - MS90725-64 - QTY. 5
5. LOCKWASHER - MS35338-141 - QTY. 5
6. NUT - MS35690-610 - QTY. 5
11. PLATE - A3103784 - QTY. 1
12. BACKING PLATE - A3046222 - QTY. 1

Figure 5-45.

- 16-9.** Install upper half of antenna mount (17) to lower half of antenna mount (21) with four screws (23), eight washers (3), four lockwashers (5), and nuts (6).

NOTE

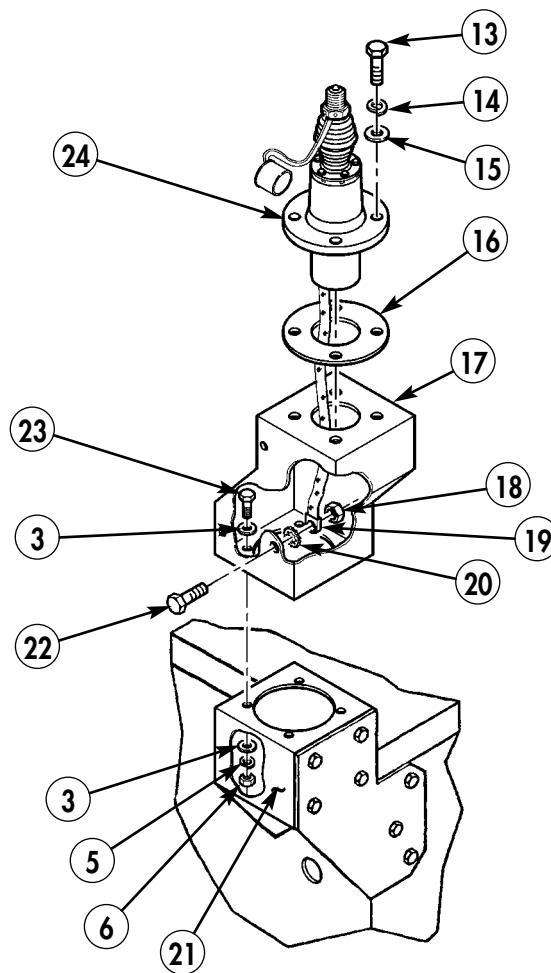
Ensure holes in antenna base are aligned with weldnut holes in mounting bracket.

- 16-10.** Install antenna (24) and gasket (16) on top of antenna offset mount (17) and secure with four screws (13), four lockwashers (14), and four washers (15).

NOTE

Prior to securing antenna ground lead, enlarge hole on offset mount with 9/32-in. drill bit to allow 1/4-in. screw to fit.

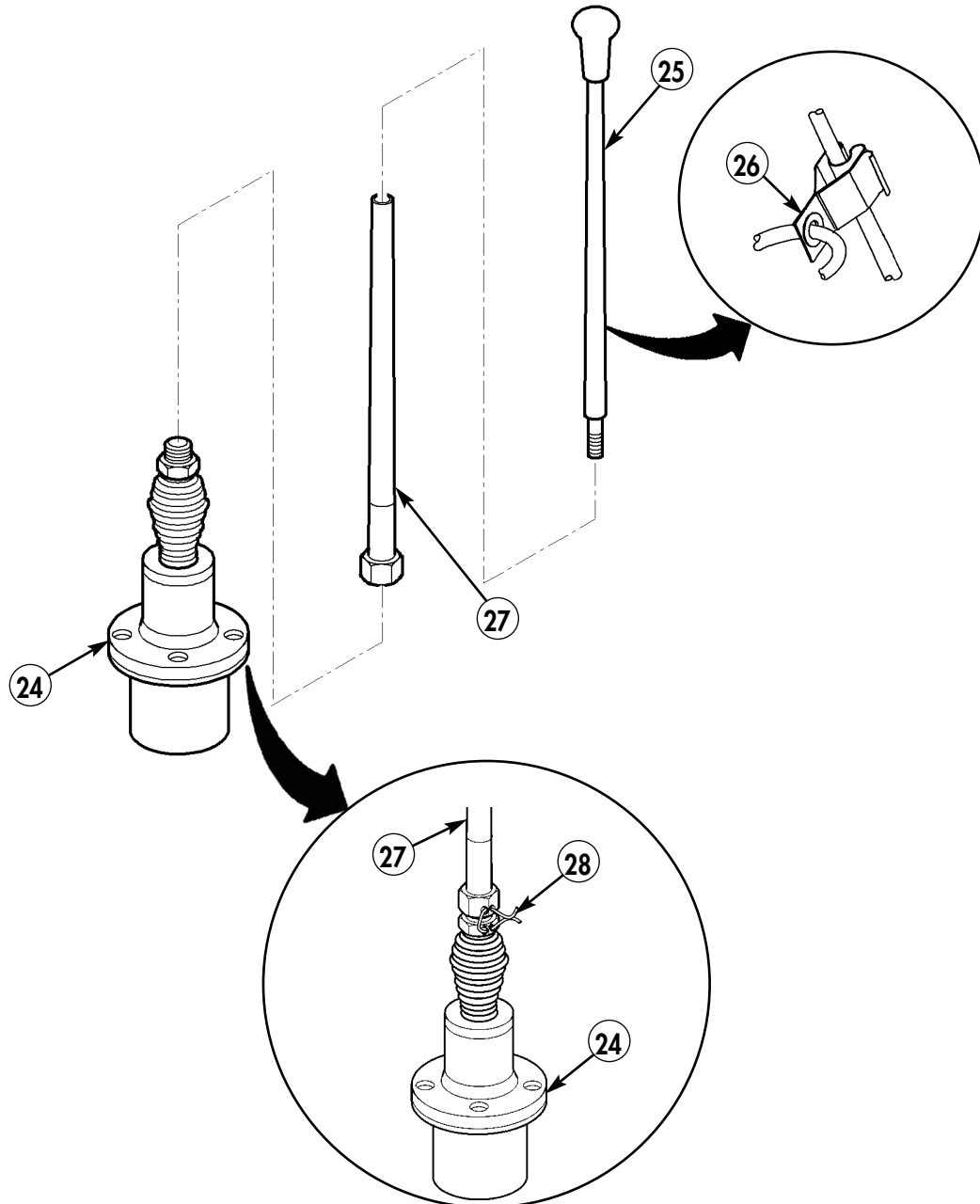
- 16-11.** Secure antenna ground lead (19) to antenna offset mount (17) with screw (22), lockwasher (20), and nut (18).



- | | |
|--------------------------------------|--------------------------------------|
| 3. WASHER – MS15795-814 – QTY. 8 | 16. GASKET – A3013655-1 – QTY. 1 |
| 5. LOCKWASHER – MS35338-141 – QTY. 4 | 18. NUT – MS35650-302 – QTY. 1 |
| 6. NUT – MS35690-610 – QTY. 4 | 20. LOCKWASHER – MS45904-68 – QTY. 2 |
| 13. CAPSCREW – MS35307-365 – QTY. 4 | 22. SCREW – MS35207-263 – QTY. 1 |
| 14. LOCKWASHER – MS45904-72 – QTY. 4 | 23. SCREW – MS90725-62 – QTY. 4 |
| 15. WASHER – 2436163 – QTY. 8 | 24. ANTENNA – A3017899-2 – QTY. 1 |

Figure 5-46.

- 16-12. Attach upper antenna element (25) to lower antenna element (27).
- 16-13. Attach antenna assembly to antenna base (24).
- 16-14. Attach fiber rope assembly (26) to upper antenna element (25).
- 16-15. Secure lower antenna element (27) to antenna base (24) with lockwire (28).

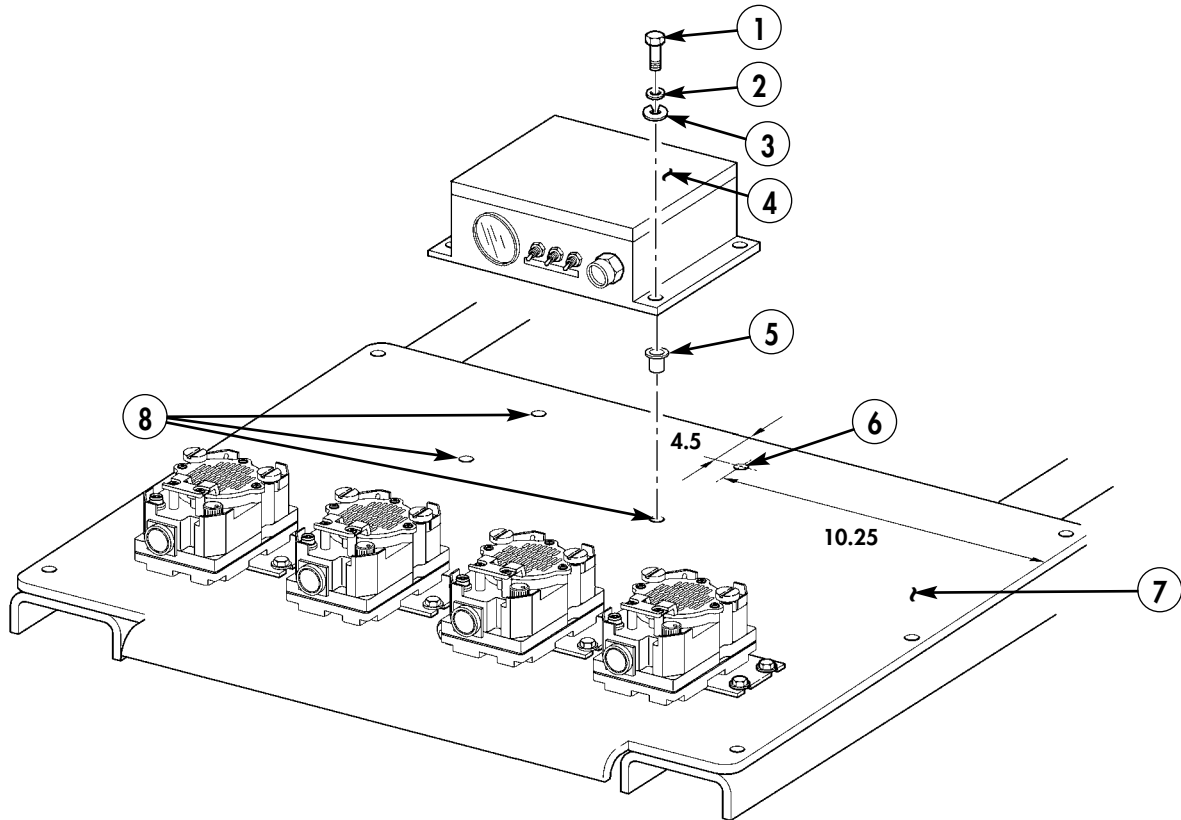


- 25. UPPER ANTENNA ELEMENT – A3017901-2 – QTY. 1
- 27. LOWER ANTENNA ELEMENT – A3018230-1 – QTY. 1
- 28. LOCKWIRE – MS20995C32 – QTY. A/R

Figure 5-47.

Section XVII. CHARGE CONTROL BOX INSTALLATION

- 17-1.** Locate, mark, and drill 0.375-in. diameter hole (6) in lower shelf of multi-net rack (7).
- 17-2.** Using charge control box (4) as template, locate, mark and drill three remaining holes (8).
- 17-3.** Install four inserts (5) in lower shelf of multi-net rack (7).
- 17-4.** Mount charge control box (4) on lower shelf of multi-net rack (7) with four screws (1), four washers (2) and four lockwashers (3).

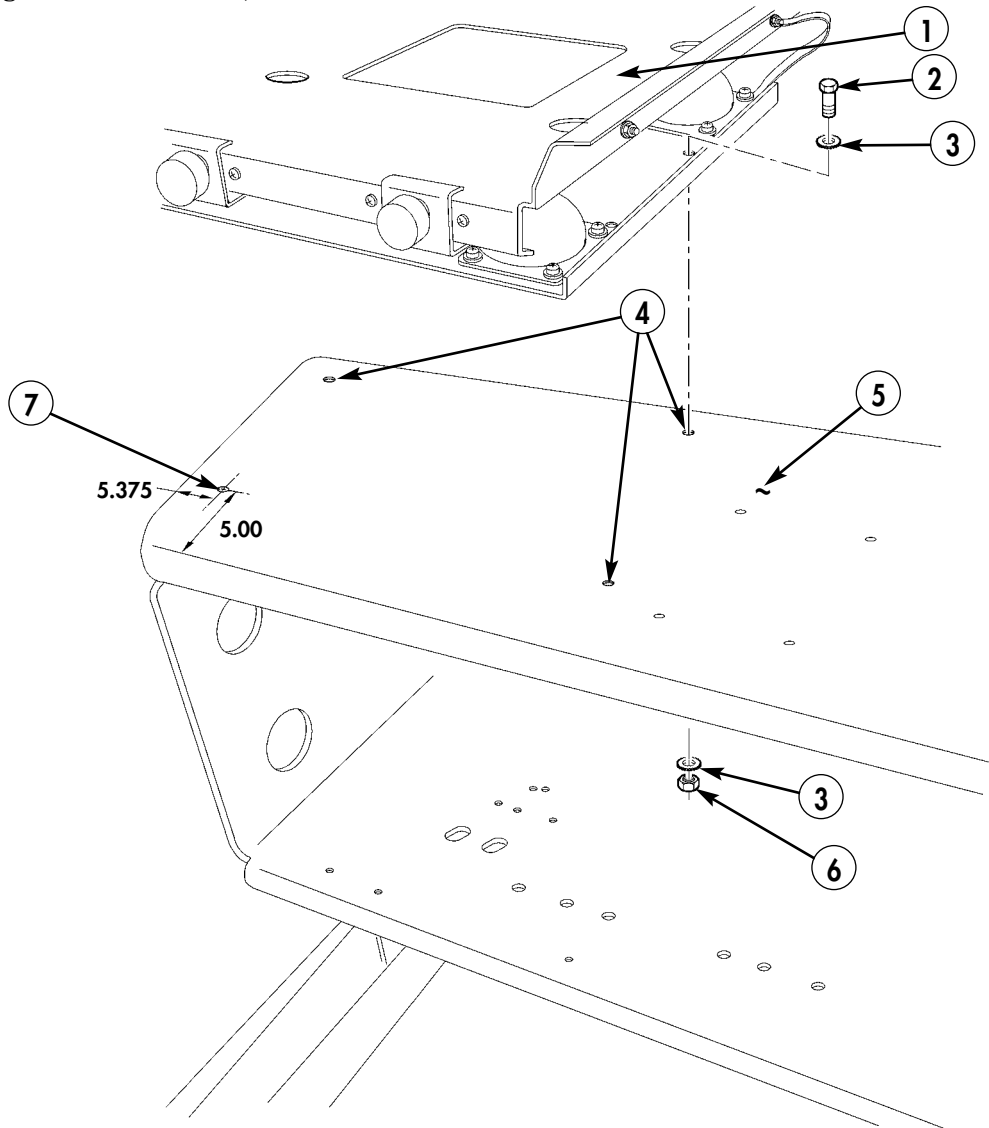


1. SCREW - B1821BH025C100N - QTY. 4
2. WASHER - 2436161 - QTY. 4
3. LOCKWASHER - 120380 - QTY. 4
4. CHARGE CONTROL BOX - PKMM 000-002 - QTY. 1
5. INSERT - 12446871-2 - QTY. 4

Figure 5-48.

Section XVIII. RIGHT-SIDE EPLRS MOUNT INSTALLATION

- 18-1. Locate, mark, and drill one 0.343-in. diameter hole (7) in upper shelf of multi-net rack (5).
- 18-2. Using EPLRS mount (1) as template, locate, mark, and drill three remaining 0.343-in. diameter holes (4).
- 18-3. Install EPLRS mounting bracket (1) on upper shelf of multi-net rack (5) with four capscrews (2), eight lockwashers (3), and four nuts (6).

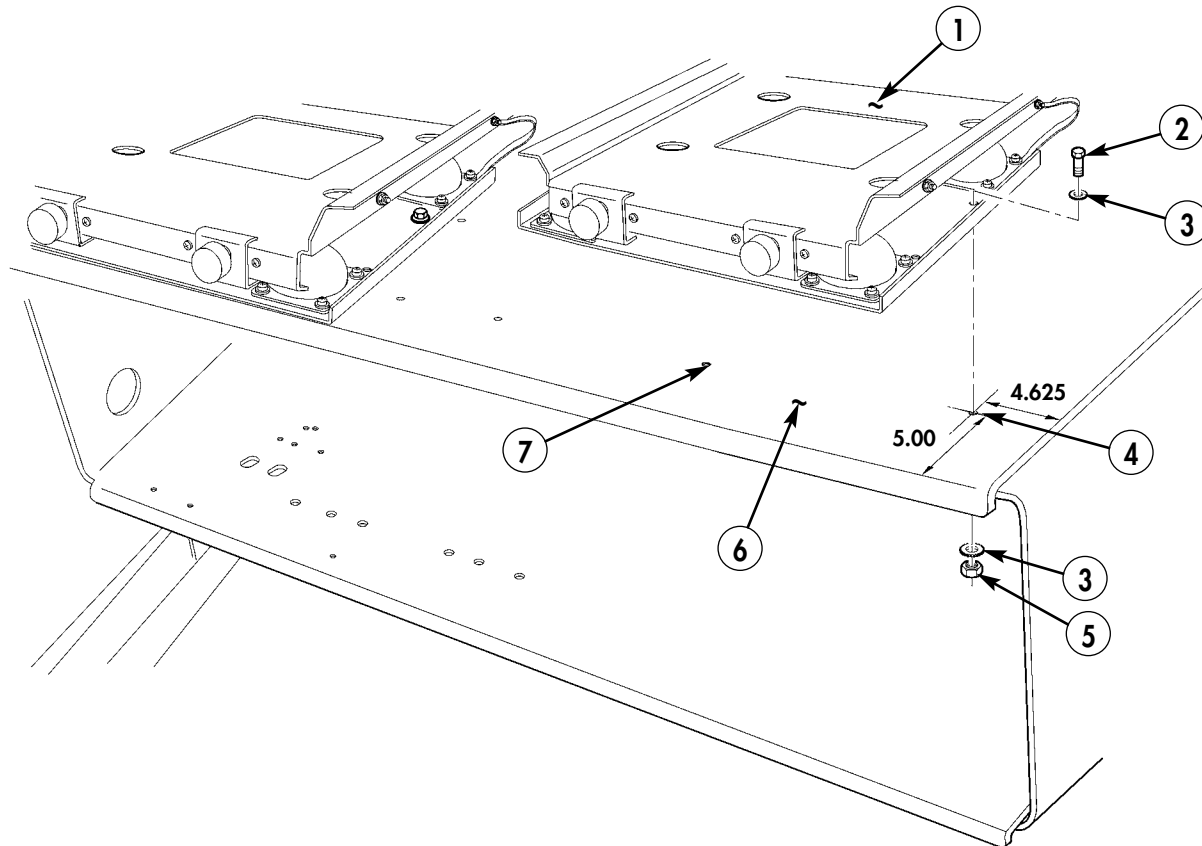


- 1. RESILIENT MOUNT – MT-6146/VSQ-1 – QTY. 1
- 2. CAPSCREW – B1821BH031F125N – QTY. 4
- 3. LOCKWASHER – MS45904-72 – QTY. 8
- 6. NUT – 9418892 – QTY. 4

Figure 5-49.

Section XIX. LEFT-SIDE EPLRS MOUNT INSTALLATION

- 19-1.** Locate, mark, and drill one 0.343-in. diameter hole (4) in upper shelf of multi-net rack (6).
- 19-2.** Using EPLRS mount (1) as template, locate, mark, and drill three remaining 0.343-in. diameter holes (7).
- 19-3.** Install EPLRS mounting bracket (1) on upper shelf of multi-net rack (6) with four bolts (2), eight lockwashers (3), and four nuts (5).

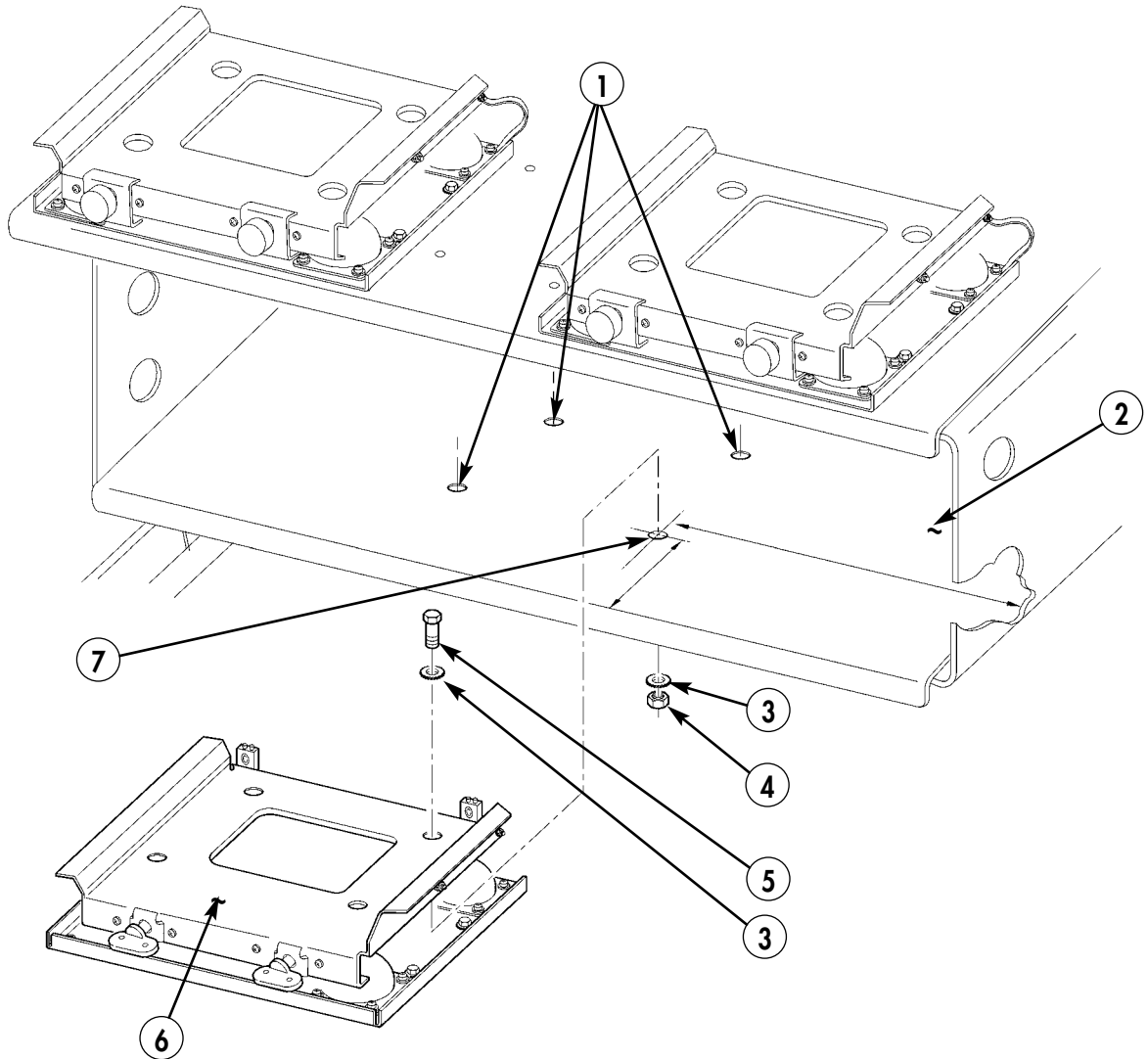


1. RESILIENT MOUNT – MT-6146/VSQ-1 – QTY. 1
 2. CAPSCREW – B1821BH031F125N – QTY. 4
 3. LOCKWASHER – MS45904-72 – QTY. 8
 5. NUT – 9418892 – QTY. 4

Figure 5-50.

Section XX. NTDR MOUNT INSTALLATION

- 20-1. Locate, mark, and drill one 0.343-in. diameter hole (7) in lower shelf of multi-net rack (2).
- 20-2. Using NTDR mounting bracket (6) as template, locate, mark, and drill three remaining 0.343-in. diameter holes (1).
- 20-3. Install NTDR mounting bracket (6) on lower shelf of multi-net rack (2) with four capscrews (5), eight washers (3), and four nuts (4).



3. LOCKWASHER – MS45904-72 – QTY. 8
4. NUT – MS51968-5 – QTY. 4
5. CAPSCREW – B1821BH031F125N – QTY. 4
6. MOUNTING TRAY – 8174934G1 – QTY. 1

Figure 5-51.

Section XXI. EPLRS USER READOUT (URO) ON MULTI-NET RACK INSTALLATION

21-1. Remove four existing screws (2) and connector bracket (3) from two URO brackets (1).

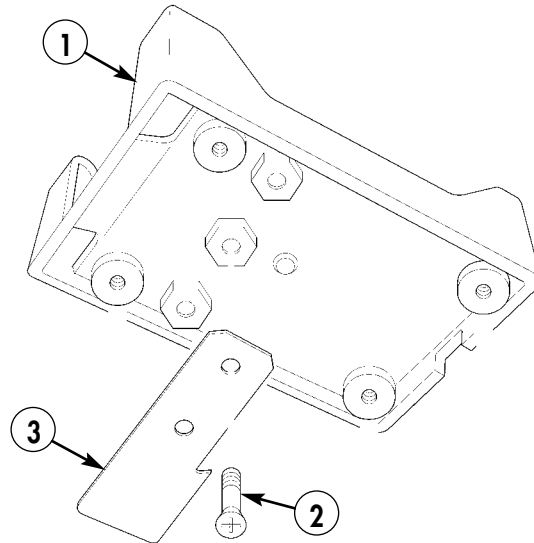
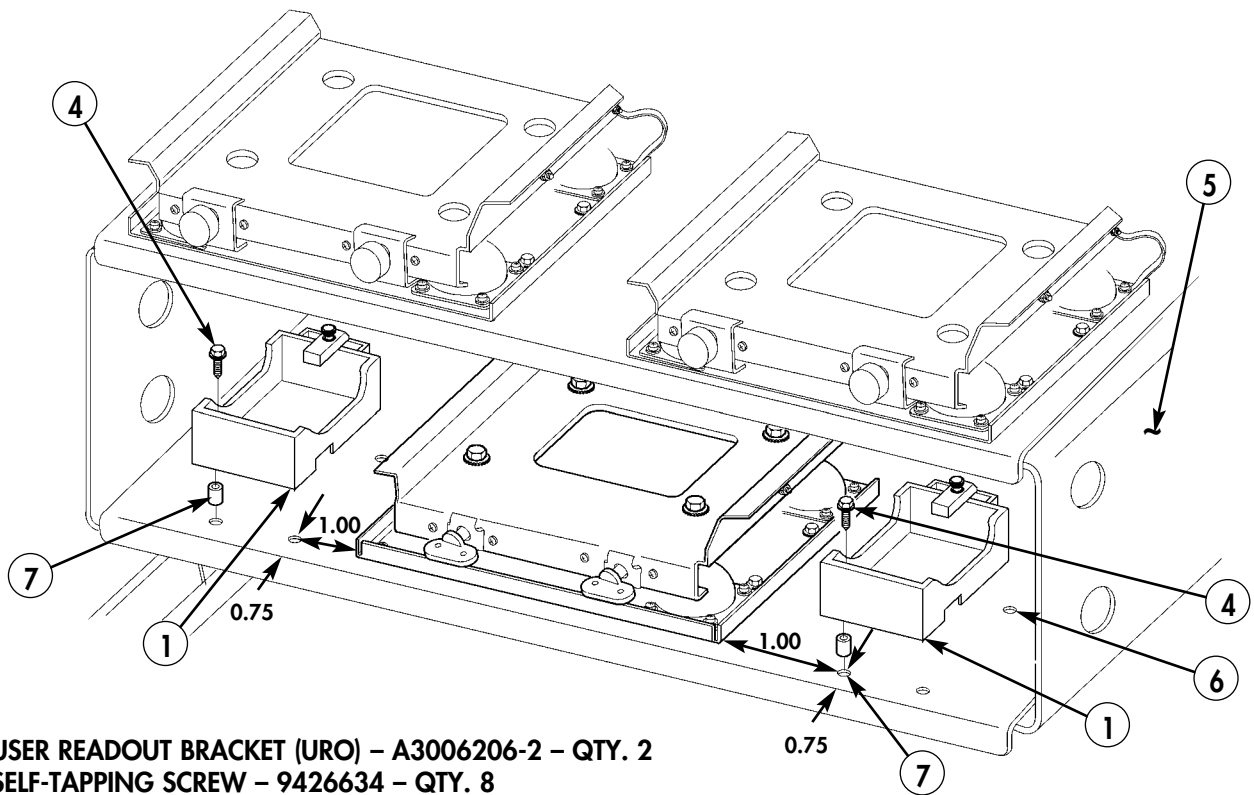


Figure 5-52.

21-2. Using URO brackets (1) as templates, mark and drill eight 0.147-in. holes (6) in multi-net rack (5).

21-3. Install URO brackets (1) on multi-net rack (5) with eight self-tapping screws (4) and spacers (7).

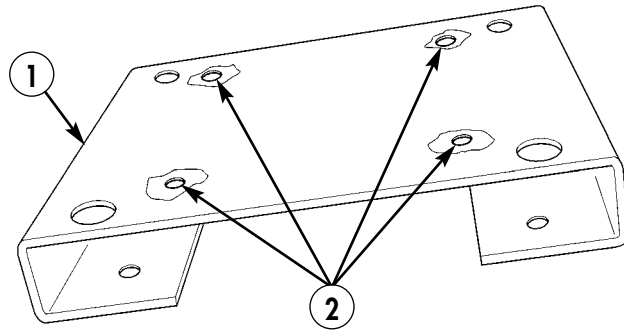


- 1. USER READOUT BRACKET (URO) – A3006206-2 – QTY. 2
- 4. SELF-TAPPING SCREW – 9426634 – QTY. 8
- 7. SPACER – 92510A318 – QTY. 8

Figure 5-53.

Section XXII. EPLRS MOUNTING BRACKET ON RIGHT WHEELWELL INSTALLATION

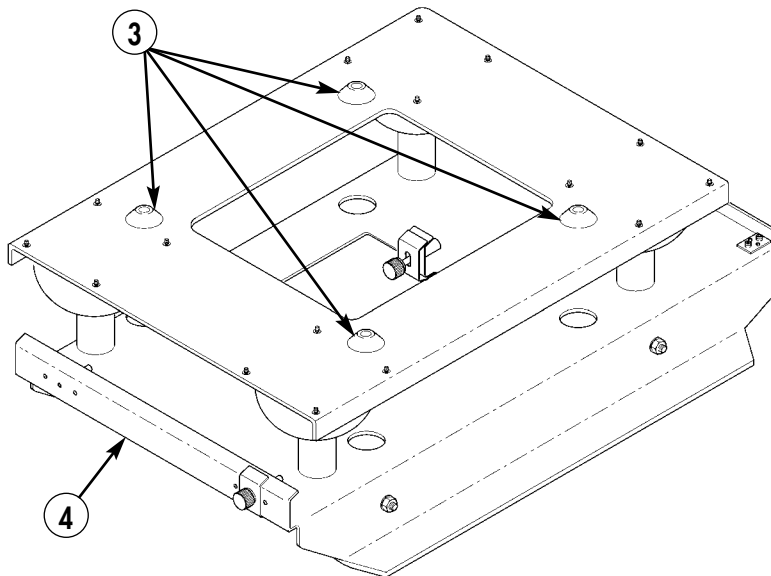
22-1. Remove paint from vicinity of four mounting holes (2) on C-bracket mount (1). Apply anti-seize compound as required.



1. C-BRACKET MOUNT – A3046202 – QTY. 1

Figure 5-54.

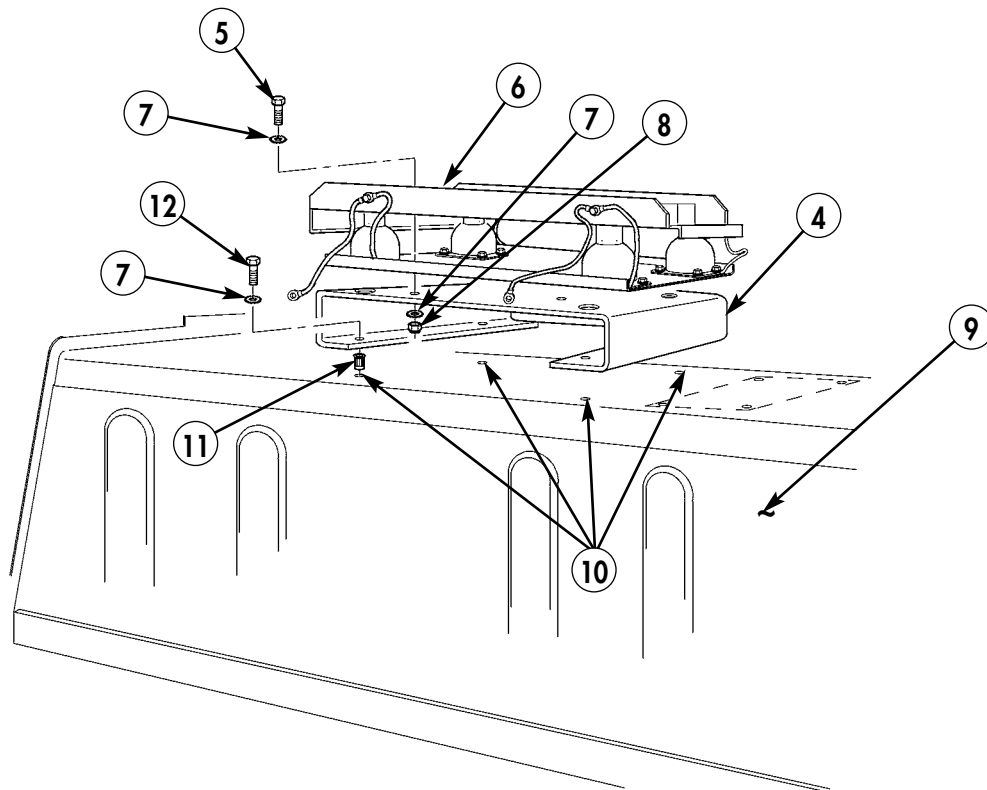
22-2. Remove paint from vicinity of four mounting holes (3) on bottom of MT-6146/VSQ-1 mount (4).



4. RESILIENT MOUNT – MT-6146/VSQ-1 – QTY. 1

Figure 5-55.

- 22-3.** Using C-bracket mount (4) as template, locate, mark, and drill four 0.531-in. diameter holes (10) in right-rear wheelhouse (9).
- 22-4.** Install four inserts (11) in right-rear wheelhouse (9).
- 22-5.** Install C-bracket (4) on right-rear wheelhouse (9) with four capscrews (12) and four lockwashers (7).
- 22-6.** Install resilient mount (6) on C-bracket mount (4) with four capscrews (5), eight lockwashers (7), and four nuts (8).



- 5.** CAPSCREW – B1821BH025C100N – QTY. 4
7. LOCKWASHER – MS45904-72 – QTY. 12
8. NUT – 9417954 – QTY. 4
11. INSERT – 12446871-2 – QTY. 4
12. CAPSCREW – B1821BH025C075N – QTY. 4

Figure 5-56.

Section XXIII. EPLRS USER READOUT (URO) ON RIGHT WHEELWELL INSTALLATION

23-1. Remove two existing screws (2) and connector bracket (3) from URO bracket (1).

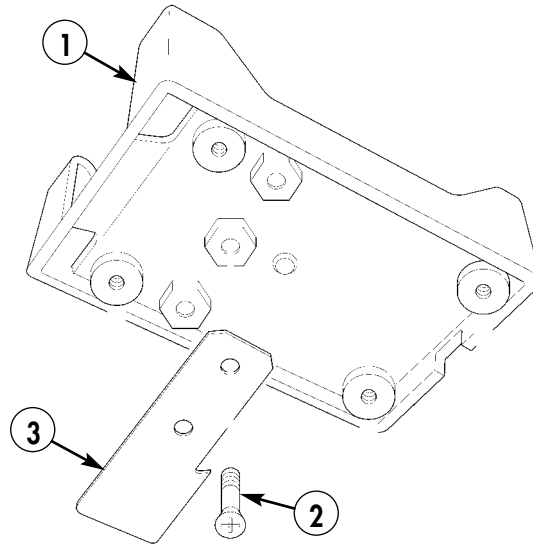
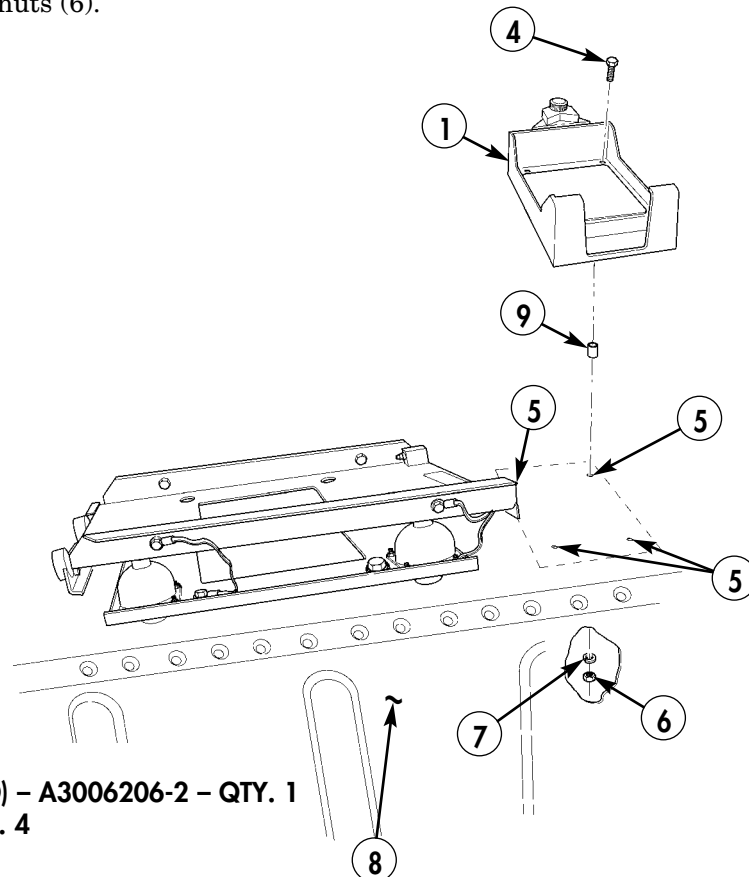


Figure 5-57.

23-2. Using URO bracket (1) as template, mark and drill four 0.147-in. holes (5) in right-rear wheelhouse (8).

23-3. Install URO bracket (1) on right-rear wheelhouse (8) with four screws (4), four spacers (9), four lockwashers (7) and four nuts (6).



- 1. USER READOUT BRACKET (URO) – A3006206-2 – QTY. 1
- 4. SCREW – MS35207-265 – QTY. 4
- 6. NUT – MS35650-302 – QTY. 4
- 7. LOCKWASHER – MS35338-43 – QTY. 4
- 9. SPACER – 92510A318 – QTY. 4

Figure 5-58.

Section XXIV. CHARGER INSTALLATION

24-1. Locate, mark, and drill four 0.266-in. diameter holes (2) in multi-net rack (1).

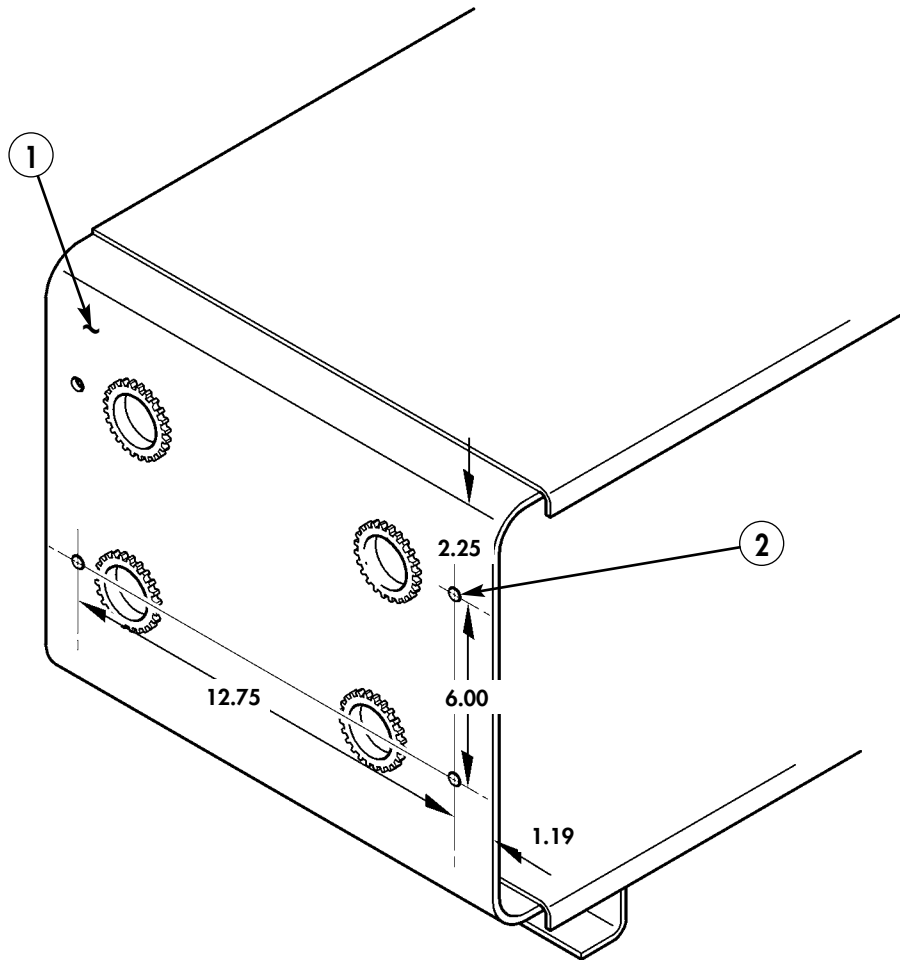
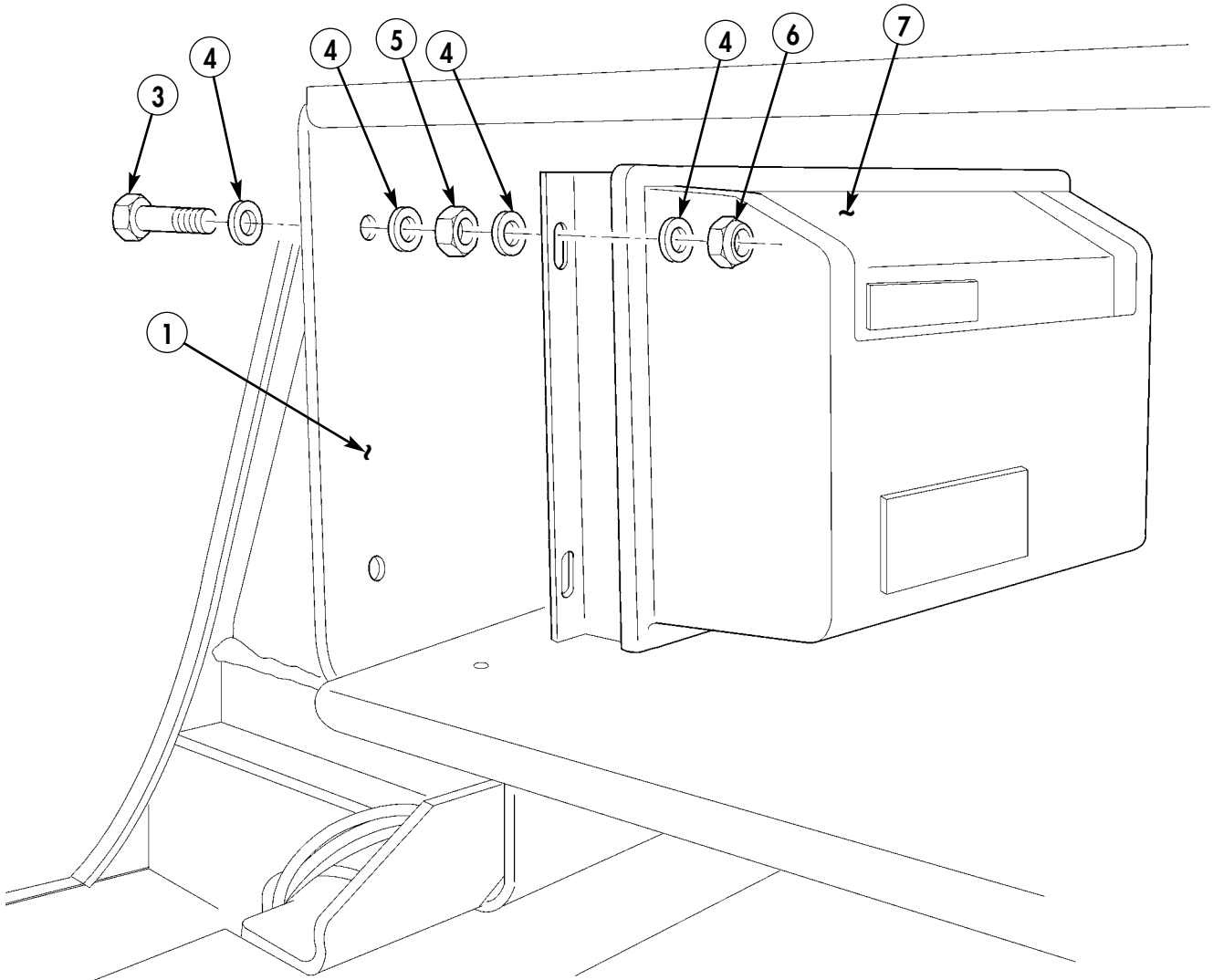


Figure 5-59.

24-2. Install charger (7) on multi-net rack (1) with four screws (3), sixteen washers (4), four nuts (5), and four locknuts (6).

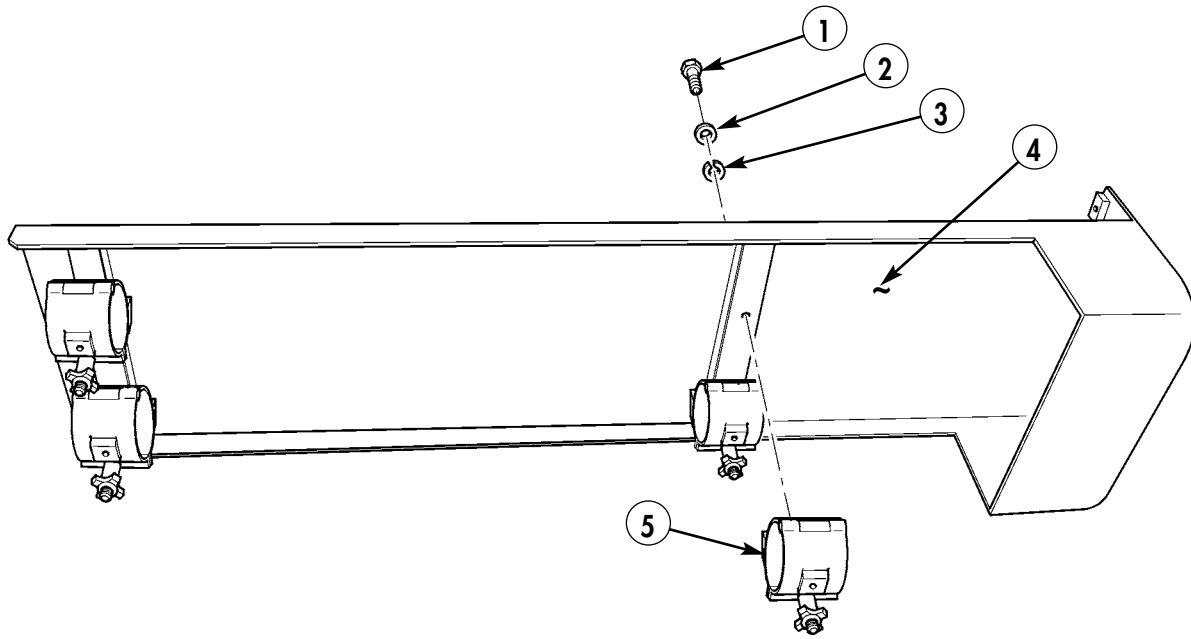


- 3. SCREW - B1821BH025C150N - QTY. 4
- 4. WASHER - MS27183-10 - QTY. 16
- 5. NUT - MS51967-2 - QTY. 4
- 6. LOCKNUT - MS17829-4C - QTY. 4

Figure 5-60.

Section XXV. QEAM MOUNTING: ANTENNAS AND BRACKETS

- 25-1.** Install four clamp subassemblies (5) to QEAM rack (4) with four screws (1), washers (2), and lockwashers (3).



- 1. SCREW – 8599267-531 – QTY. 4
- 2. WASHER – MS27183-14 – QTY. 4
- 3. LOCKWASHER – MS35338-46 – QTY. 4
- 4. RACK, QEAM – PKMM 000-006 – QTY. 1
- 5. CLAMP SUBASSEMBLY – A3209994 – QTY.4

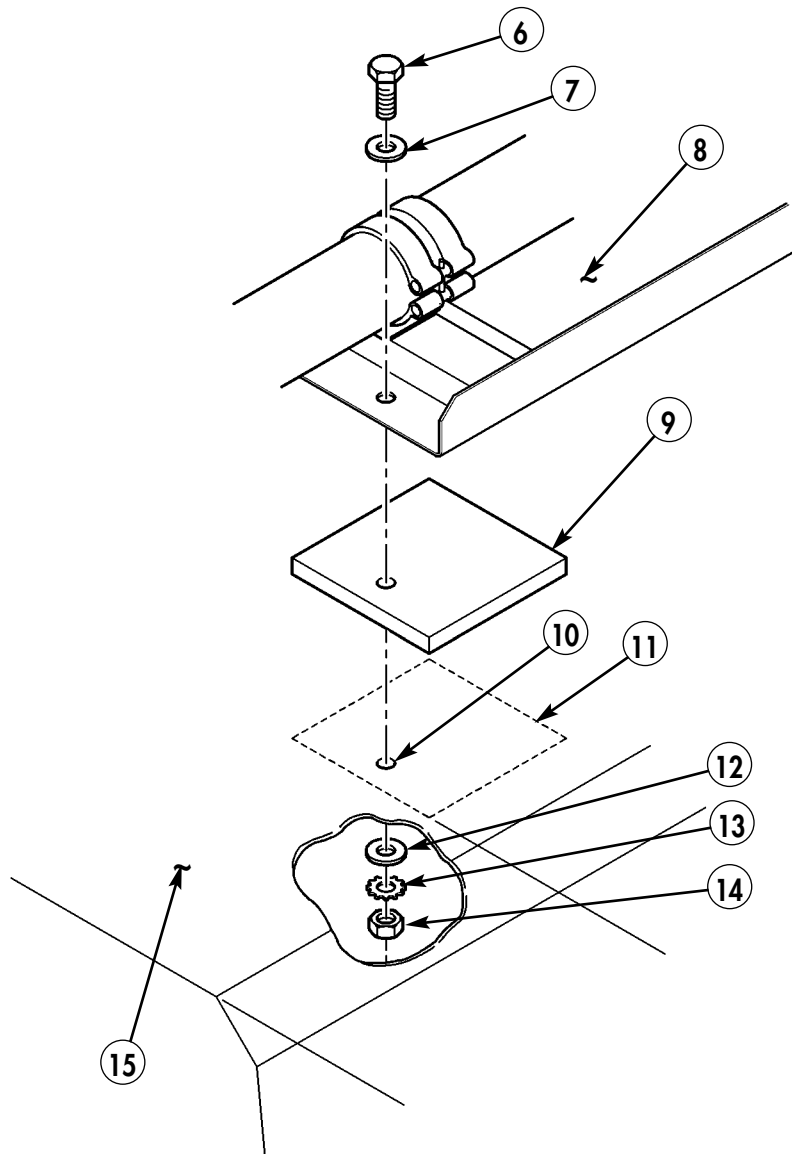
Figure 5-61.

- 25-2. Using QEAM rack (8) as template, locate, mark, and drill four 0.344-in. diameter holes (10) in roof of vehicle (15).
- 25-3. Mark location for four QEAM spacers (9) and apply RTV sealant to marked areas (11).

NOTE

Allow RTV to cure for 30 minutes.

- 25-4. Press four spacers (9) on roof of vehicle (15).
- 25-5. Position QEAM rack (8) over holes in four spacers (9).
- 25-6. Apply RTV to four bolt holes (10) and insert four bolts (6) and washers (7) in QEAM carrier.
- 25-7. Apply RTV to one side of four washers (12). Press washers (12) in place.
- 25-8. Install lockwasher (13) and nut (14).



- 6. SCREW – B1821BH031C300N – QTY. 4
- 7. WASHER – 120393 – QTY. 4
- 9. SPACER, QEAM – (PART OF PKMM 000-006) – QTY. 4
- 12. WASHER – 120393 – QTY. 4
- 13. LOCKWASHER – MS45904-72 – QTY. 4
- 14. NUT – MS51967-6 – QTY. 4

Figure 5-62.

NOTE

Use folding step as a template to correctly space holes.

25-9. Locate, mark, and drill two 0.328-in. diameter holes (17) in body of vehicle (16).

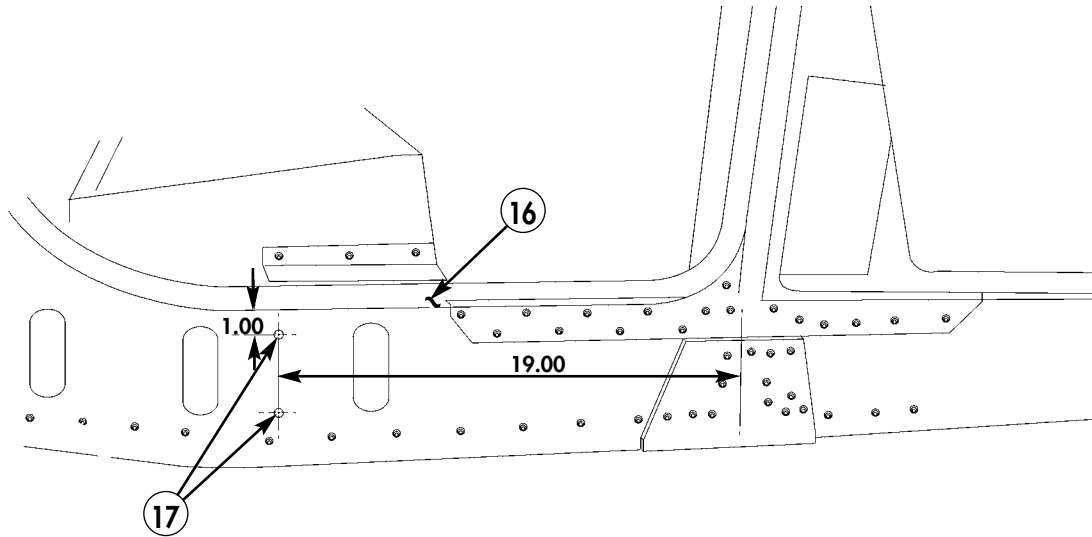


Figure 5-63.

25-10. Locate, mark, and drill two 0.328-in. diameter holes (18) in body of vehicle (16).

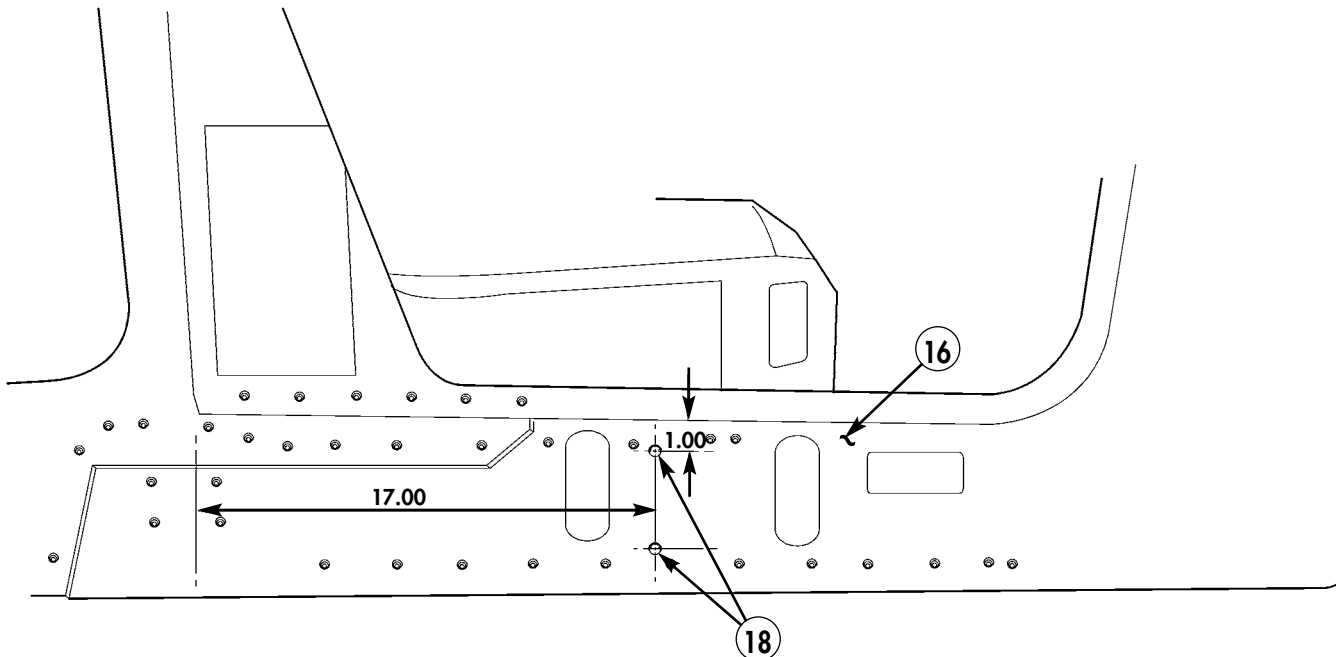
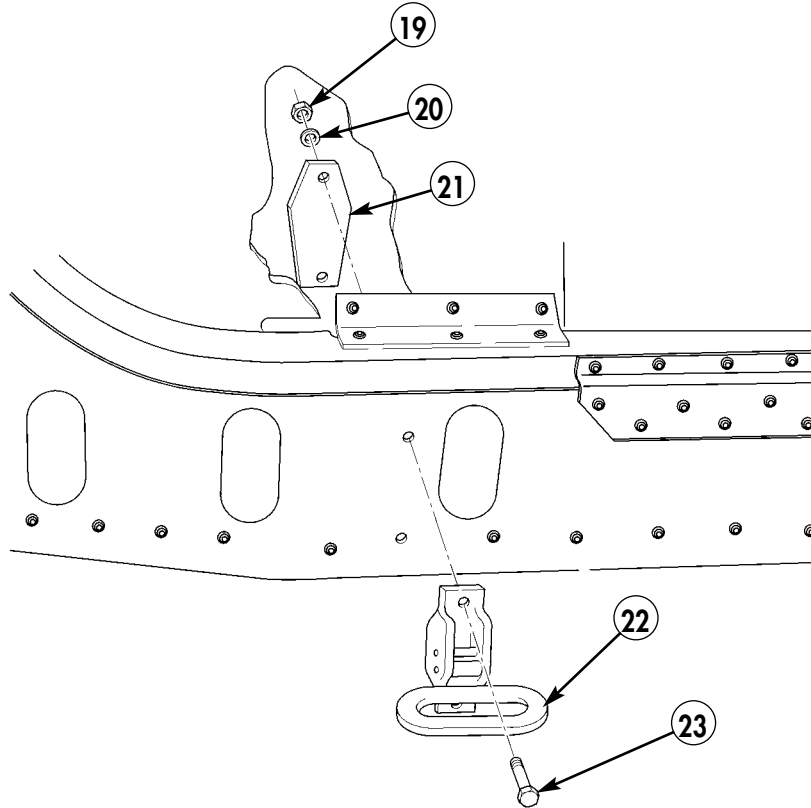


Figure 5-64.

NOTE

Rear fold-down step installation is shown. Front fold-down step is mounted the same way.

- 25-11.** Install fold-down step (22) with two screws (23), backing plate (21), two washers (20), and two locknuts (19).



- 19. LOCKNUT - MS17829-5C - QTY. 2
- 20. LOCKWASHER - MS45904-72 - QTY. 2
- 21. BACKING PLATE - (PART OF PKMM 000-006) - QTY. 2
- 22. FOLDING STEP - (PART OF PKMM 000-006) - QTY. 2
- 23. CAPSCREW - B1821BH031C125N - QTY. 2

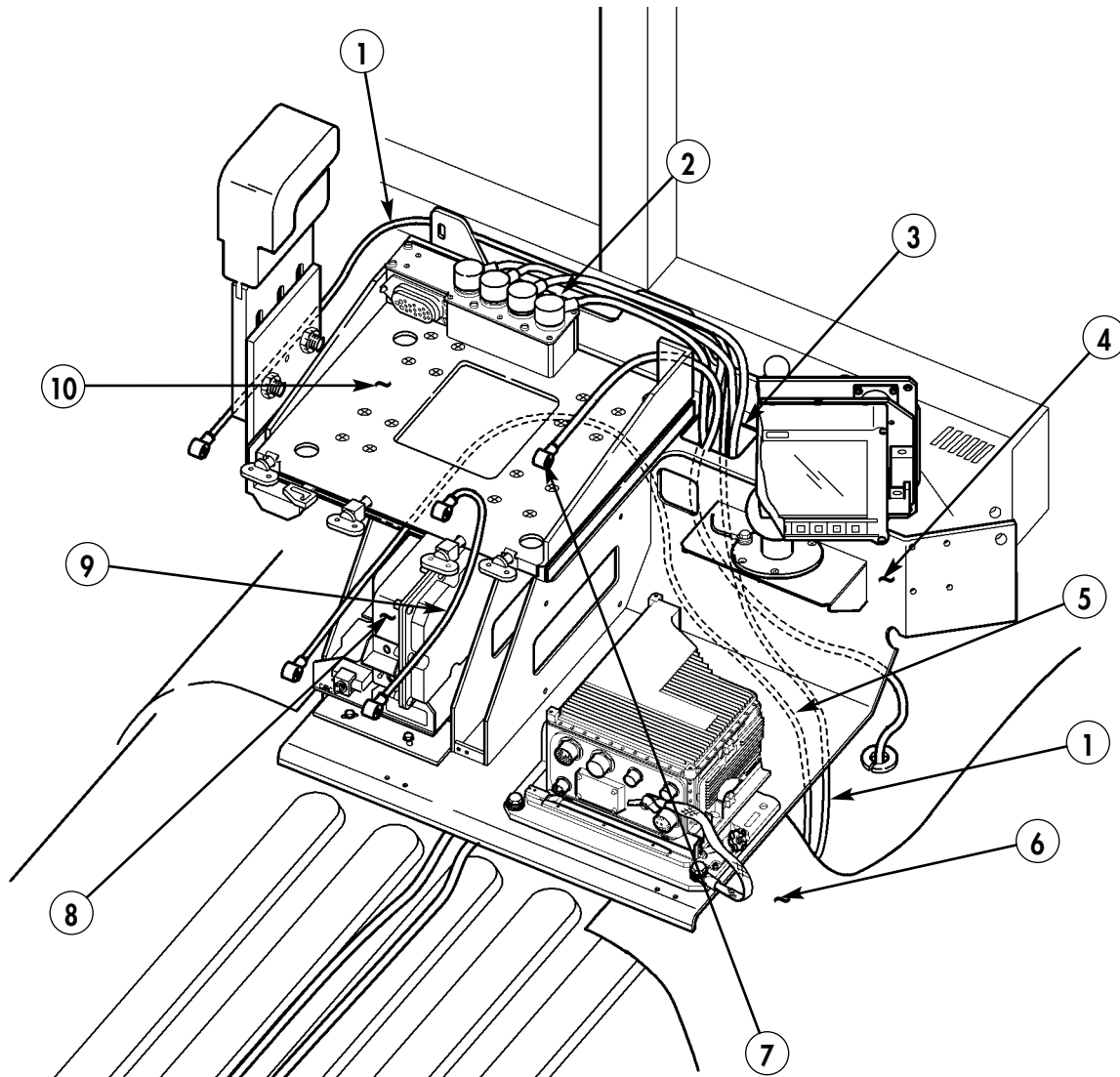
Figure 5-65.

Section XXVI. SINGGARS ANTENNA CABLES INSTALLATION

NOTE

Loosen left- and right-side tunnel insulation.
(Refer to TM 9-2320-280-20.)

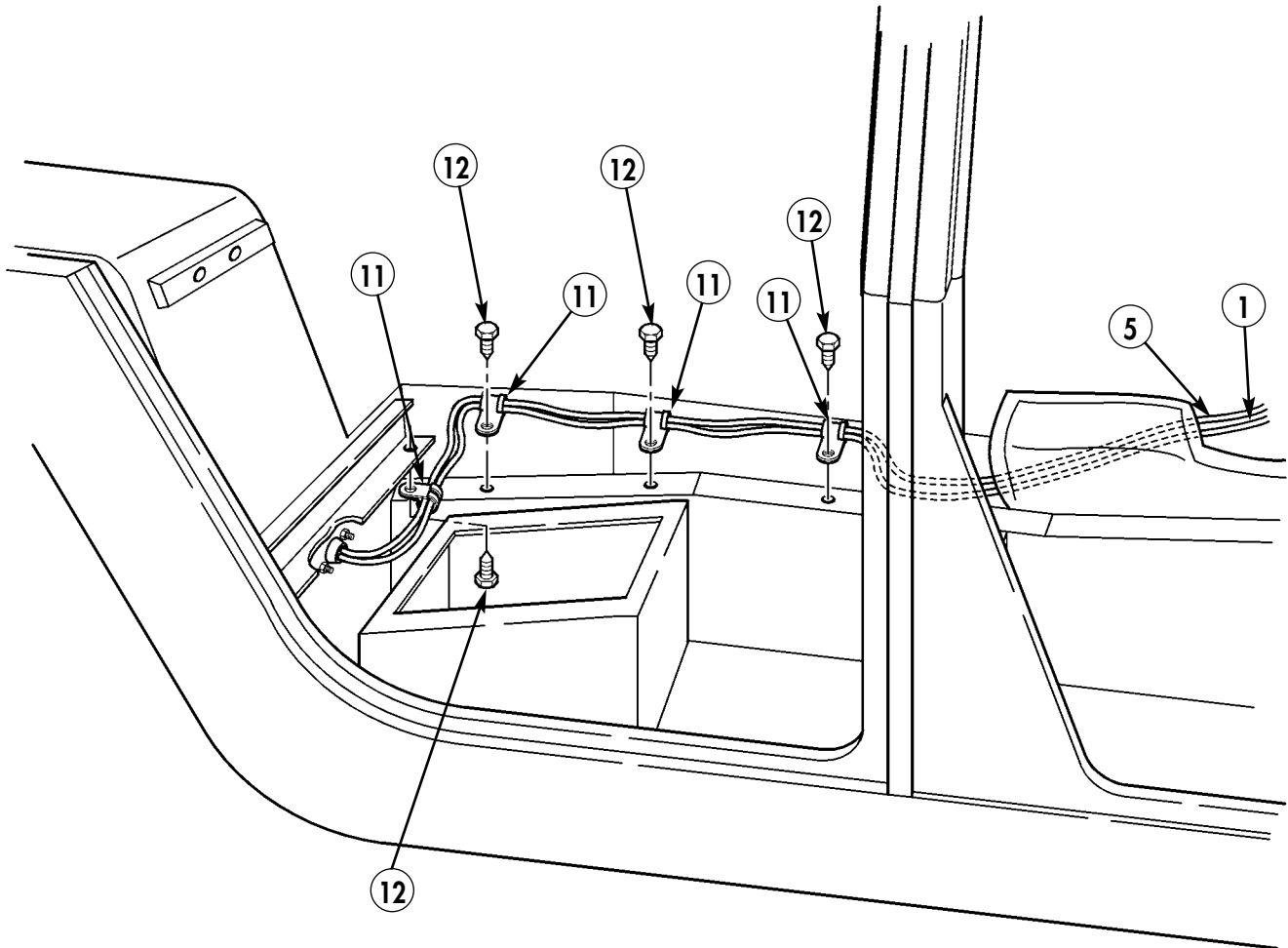
- 26-1.** Route antenna cable (1) from left side of mounting base (10), down through center access hole (3), under integrated rack (4), and under right-side tunnel insulation (6) towards rear of vehicle.
- 26-2.** Route antenna cable (9) from mounting base (10) to MT-6353/VRC mounting base (8).
- 26-3.** Route power amp cable (2) from MT-6353/VRC mounting base (8) up through center access hole (3) and connect to mounting base (10).
- 26-4.** Route control cable (7) from MT-6353/VRC mounting base (8) up through center access hole (3) to mounting base (10).
- 26-5.** Route antenna cable (5) from front of MT-6353/VRC mounting base (8), under integrated rack (4), and under right-side tunnel insulation (6) towards rear of vehicle.



- 1. ANTENNA CABLE - A3014031-8 - QTY. 1
- 5. ANTENNA CABLE - A3014031-17 - QTY. 1
- 9. ANTENNA CABLE - A3014032-3 - QTY. 1

Figure 5-66.

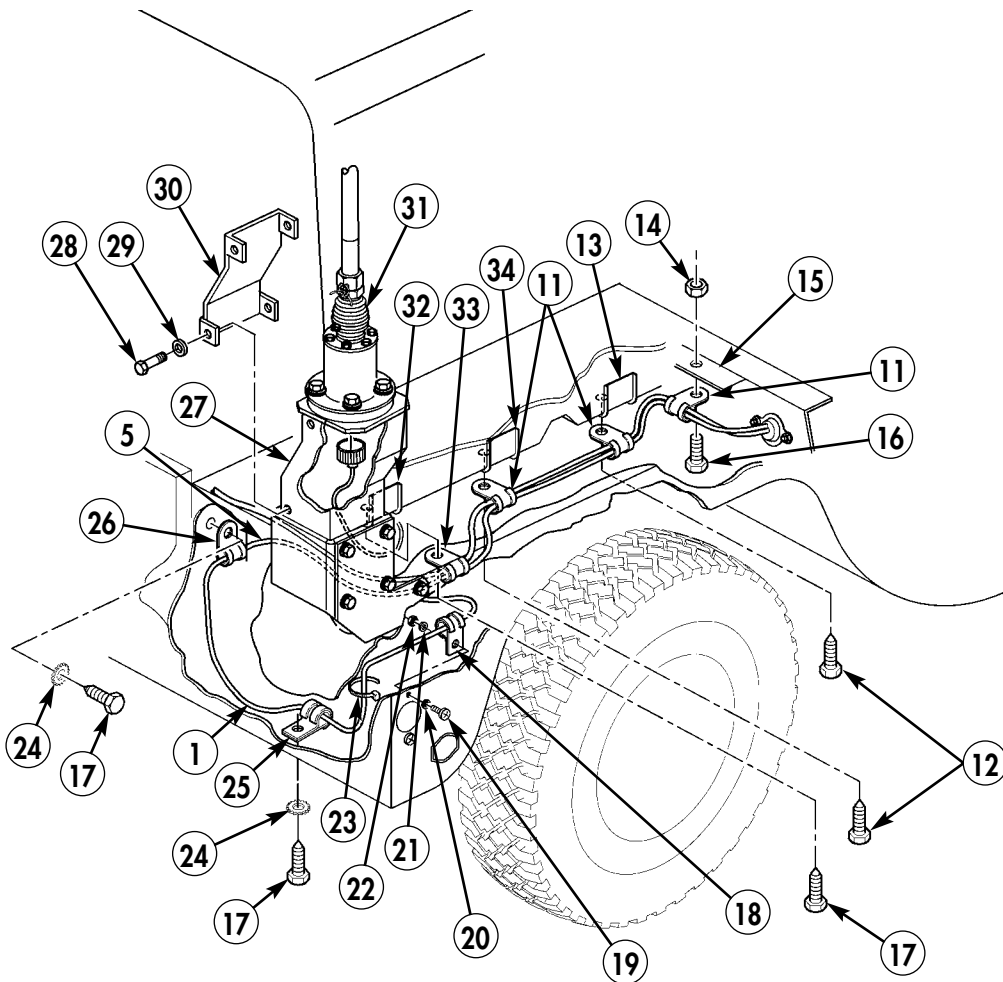
- 26-6.** Route two antenna cables (1) and (5) along right-rear seat/utility area with four self-tapping screws (12) and loop clamps (11).
- 26-7.** Route two antenna cables (1) and (5) through right wheelwell/utility area with existing grommet, retainer, screws, and nut and lockwasher assemblies. (Refer to TM 9-2320-280-20.)



- 11. LOOP CLAMP – MS21333-69 – QTY. 4**
- 12. SELF-TAPPING SCREW – 9421073 – QTY. 4**

Figure 5-67.

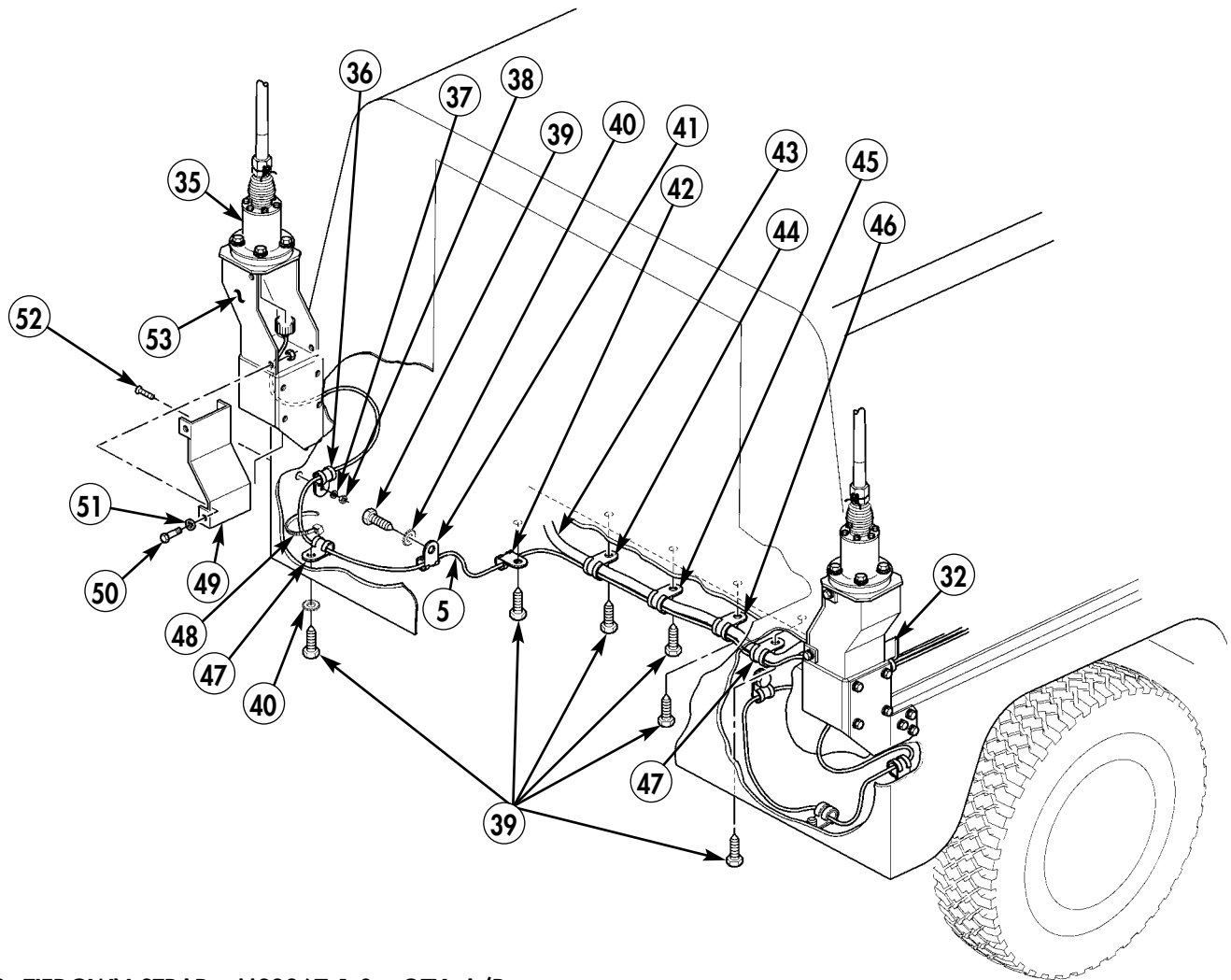
- 26-8.** Route two antenna cables (1) and (5) along front wheelwell seam (15) and along front (13), intermediate (34), and rear (32) cargo bed supports. Secure with two self-tapping screws (12), loop clamps (11), screw (16), loop clamp (11), nut (14), and existing self-tapping screw (17) and loop clamp (33).
- 26-9.** Route antenna cable (1) along taillight wiring harness with two existing loop clamps (26) and (25), self-tapping screws (17), and lockwashers (24).
- 26-10.** Route antenna cable (1) to antenna base (31) with existing loop clamp (18), nut (22), lockwasher (21), washer (20), and screw (19).
- 26-11.** Attach antenna cable (1) to antenna base (31).
- 26-12.** Coil excess antenna cable (1) and secure to inside of taillight closeout cover with tiedown strap (23).
- 26-13.** Attach cover plate (30) to offset antenna mount (27) with four screws (28) and four washers (29).



- 11. LOOP CLAMP – MS21333-69 – QTY. 3**
- 12. SELF-TAPPING SCREW – 9421073 – QTY. 2**
- 14. NUT – MS35650-302 – QTY. 1**
- 16. SCREW – MS35224-65 – QTY. 1**
- 23. TIEDOWN STRAP – MS3367-1-0 – QTY. A/R**
- 28. SCREW – MS90725-30 – QTY. 4**
- 29. WASHER – MS27183-12 – QTY. 4**

Figure 5-68.

- 26-14. Route antenna cable (5) along existing taillight wiring harness (43) on rear cargo bed support (32) and secure with four existing loop clamps (44), (45), (46), (47), and existing self-tapping screws (39).
- 26-15. Route antenna cable (5) along existing taillight wiring harness on left-side frame rail with three existing loop clamps (42), (41), (47), and existing self-tapping screws (39) and lockwashers (40).
- 26-16. Route antenna cable (5) to antenna base (35) with existing loop clamp (36), screw (52), lockwasher (37), and nut (38).
- 26-17. Attach antenna cable (5) to antenna base (35).
- 26-18. Coil excess antenna cable (5) and secure to inside of taillight closeout cover with tiedown strap (48).
- 26-19. Attach cover plate (49) to offset antenna mount (53), with four screws (50) and four washers (51).

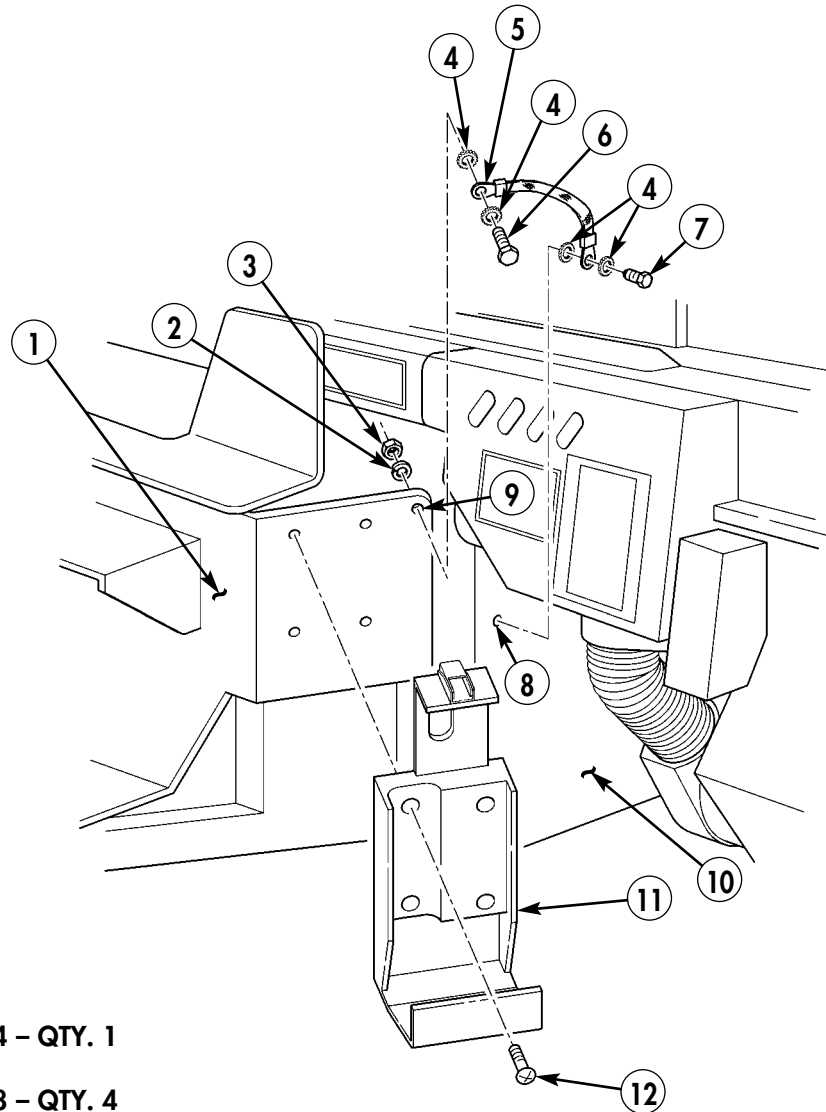


- 48. TIEDOWN STRAP – MS3367-1-0 – QTY. A/R
- 50. SCREW – MS90725-30 – QTY. 4
- 51. WASHER – MS27183-12 – QTY. 4

Figure 5-69.

Section XXVII. PLGR BRACKET INSTALLATION

- 27-1. Install PLGR bracket (11) on integrated rack (1) with four screws (12).
- 27-2. Locate, mark, and drill one 0.201-in. diameter hole (8) in right-side engine tunnel (10).
- 27-3. Remove paint from vicinity of hole (9) on integrated rack (1) and hole (8) on right-side engine tunnel (10). Apply anti-seize compound as required.
- 27-4. Fabricate ground strap (5) from 8.00-in. length of braided wire and two terminal lugs.
- 27-5. Install ground strap (5) on integrated rack (1) with capscrew (6), two lockwashers (4), lockwasher (2), and nut (3).
- 27-6. Install ground strap (5) on right-side engine tunnel (10) with self-tapping screw (7) and two lockwashers (4).



2. LOCKWASHER – MS35338-44 – QTY. 1
3. NUT – 9419143 – QTY. 1
4. LOCKWASHER – MS45904-68 – QTY. 4
5. GROUND STRAP
 - BRAIDED WIRE – AA59569F30T0375 – QTY. A/R
 - TERMINAL LUG – MS20659-129 – QTY. 2
6. CAPSCREW – B1821BH025C100N – QTY. 1
7. SELF-TAPPING SCREW – 9426241 – QTY. 1
11. PLGR BRACKET – 986-0645-001 – QTY. 1
12. SCREW – MS35206-263 – QTY. 4

Figure 5-70.

Section XXVIII. PLGR ANTENNA AND CABLE INSTALLATION

28-1. Remove two plugs (1) from outer right-side windshield frame (3).

NOTE

Drilled holes on inside and outside of windshield frame should align to allow routing of PLGR cable through windshield frame.

28-2. Locate, mark, and drill 0.375-in. diameter hole (2) in outer right-side windshield frame (3).

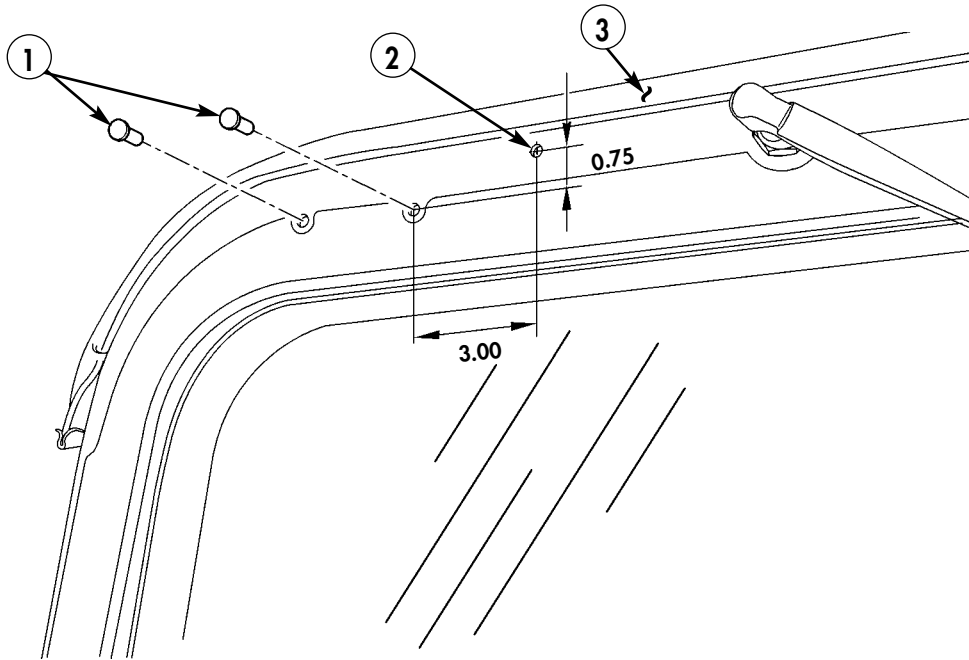


Figure 5-71.

28-3. Locate, mark, and drill 0.375-in. diameter hole (4) in inner right-side windshield frame (5).

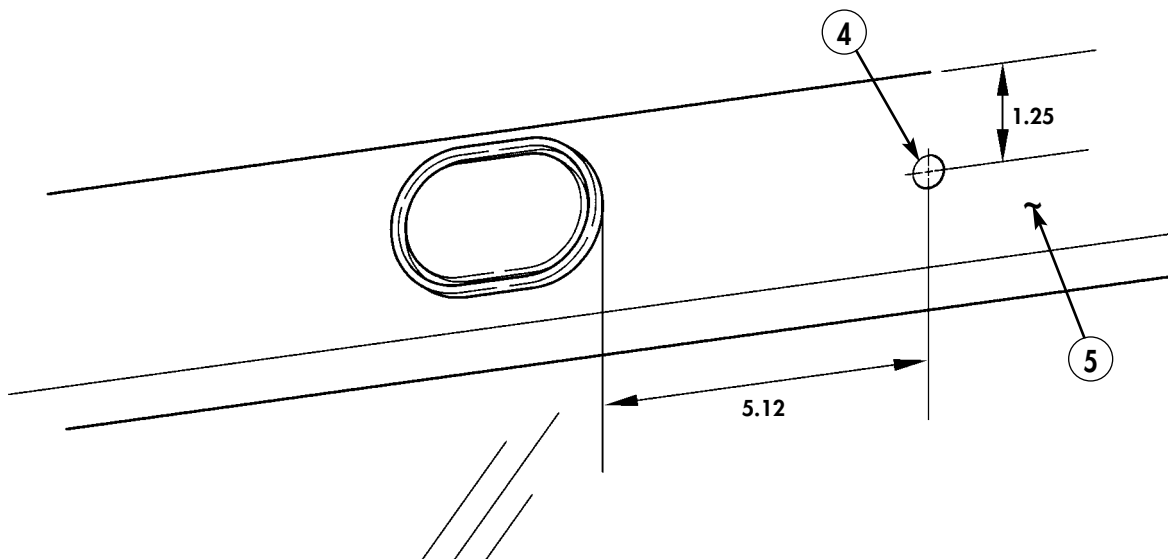
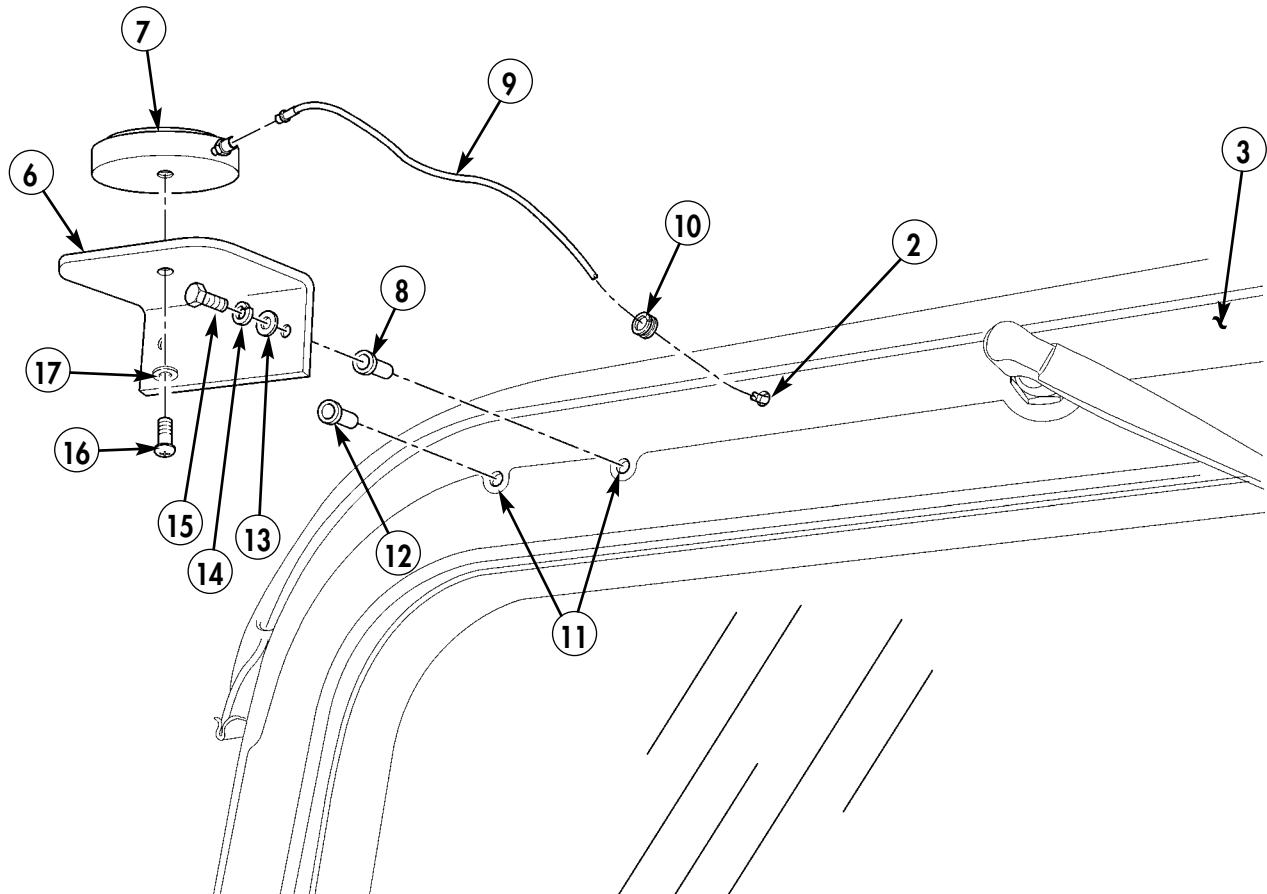


Figure 5-72.

- 28-4. Pull PLGR antenna cable (9) through hole (2) in outer right-side windshield frame (3).
- 28-5. Split one side of grommet (10), place on PLGR antenna cable (9), and insert grommet (10) in hole (2) in outer right-side windshield frame (3).
- 28-6. Install wellnuts (8) and (12) in holes (11).
- 28-7. Install PLGR antenna mount bracket (6) on outer right-side windshield frame (3) with two lockwashers (13), washers (14), and capscrews (15).
- 28-8. Install PLGR antenna (7) on PLGR antenna mount bracket (6) with washer (17) and screw (16).
- 28-9. Attach PLGR antenna cable (9) to PLGR antenna (7).



6. PLGR ANTENNA MOUNT BRACKET - 12480578 - QTY. 1
 7. PLGR ANTENNA - AT575-030 - QTY. 1
 8. WELLNUT - 12339397-6 - QTY. 1
 9. PLGR ANTENNA CABLE - 426-0141-050 - QTY. 1
 10. GROMMET - MS35489-143 - QTY. 1
 12. WELLNUT - 12339397-3 - QTY. 1
 13. LOCKWASHER - MS35338-44 - QTY. 2
 14. WASHER - 9414920 - QTY. 2
 15. CAPSCREW - B1821BH025C125N - QTY. 2
 16. SCREW - 160035 - QTY. 1
 17. WASHER - 9417373 - QTY. 1

Figure 5-73.

28-10. Split one side of grommet (10) and place on PLGR antenna cable (9).

28-11. Insert PLGR antenna cable (9) and grommet (10) in hole (4) in inner-right windshield frame (5).

NOTE

If sun visor kit has not been installed, perform steps 28-12 through 28-14. If sun visor has been installed, perform steps 28-15 and 28-16.

28-12. Locate, mark, and drill one 0.390-in. diameter hole (21) in windshield frame (5).

28-13. Install insert (22) in hole (21).

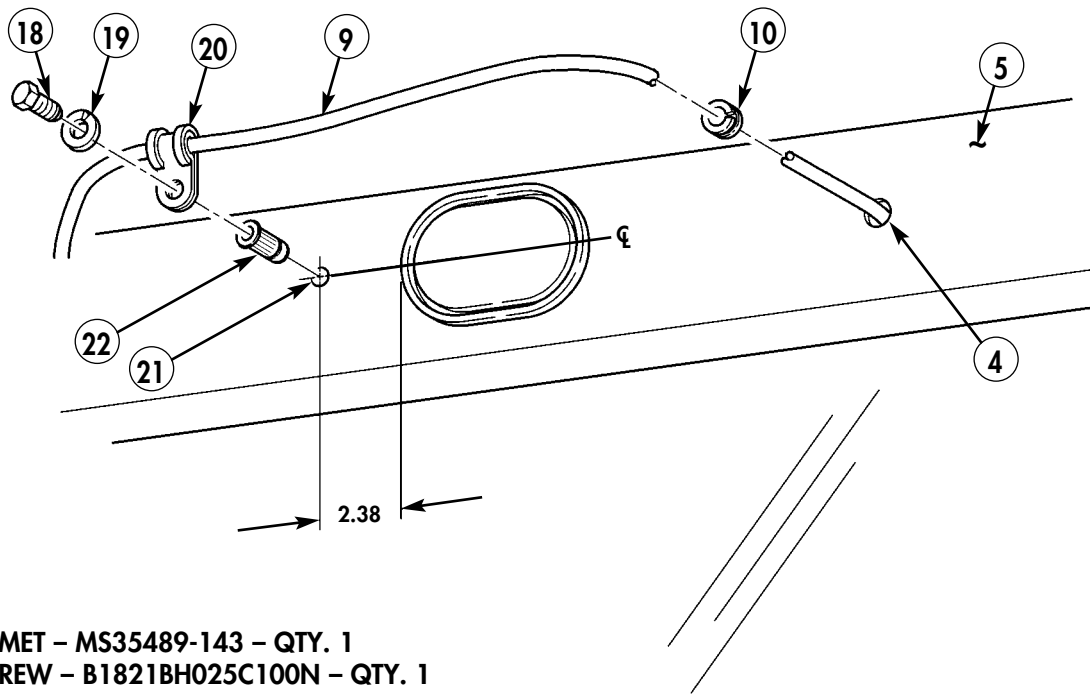
NOTE

Perform step 28-14 only if sun visor kit has been installed.

28-14. Route PLGR antenna cable (9) along inner right windshield frame (5) with loop clamp (20), lockwasher (19), and capscrew (18).

28-15. Remove capscrew (18) and lockwasher (19).

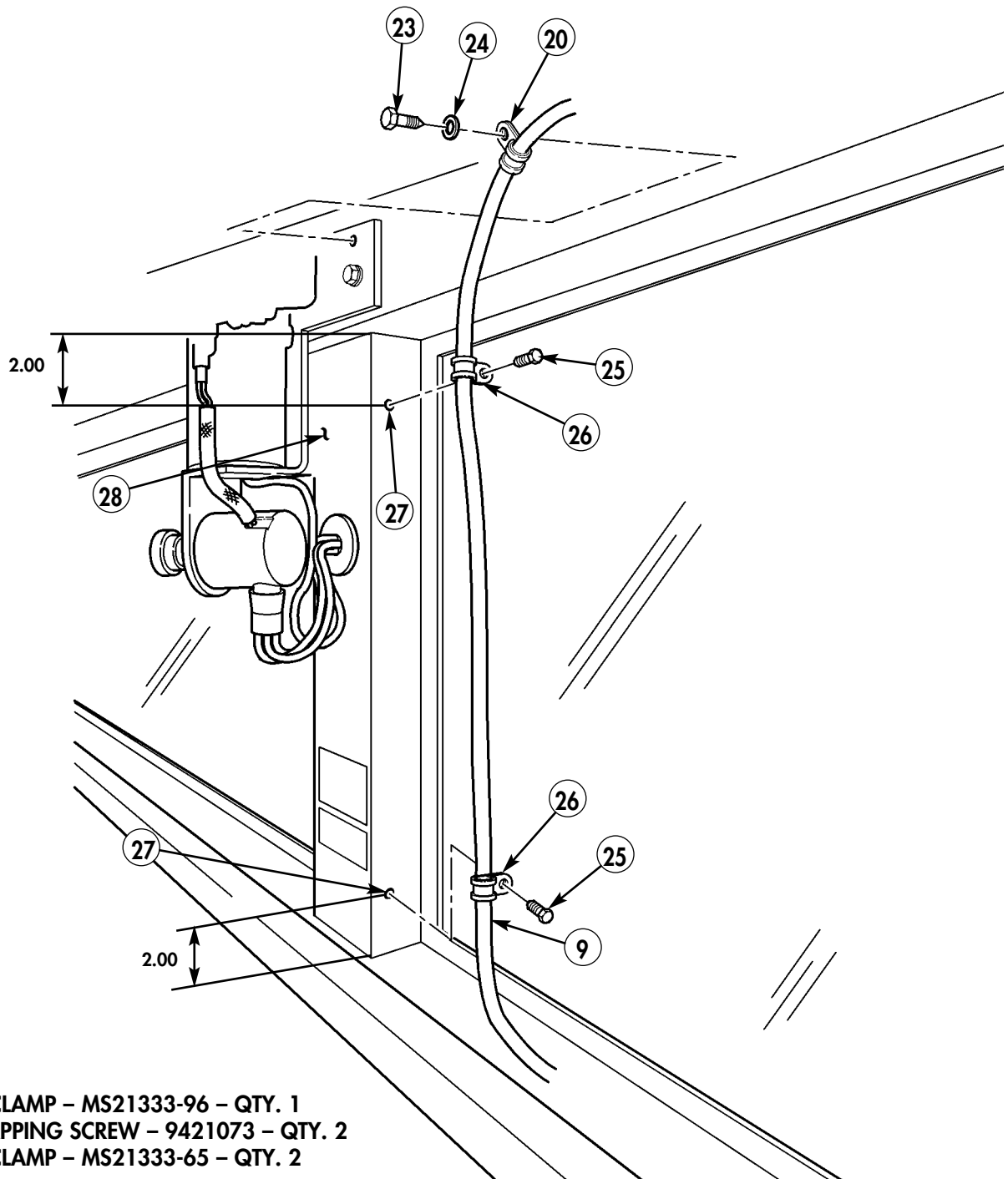
28-16. Route PLGR antenna cable (9) along inner-right windshield frame (5) with loop clamp (20), lockwasher (19), and capscrew (18).



- 10. GROMMET – MS35489-143 – QTY. 1
- 18. CAPSCREW – B1821BH025C100N – QTY. 1
- 19. LOCKWASHER – 120380 – QTY. 1
- 20. LOOP CLAMP – MS21333-96 – QTY. 1
- 22. INSERT – 12446871-2 – QTY. 1

Figure 5-74.

- 28-17. Locate, mark, and drill two 0.147-in. diameter holes (27) in windshield center frame (28).
- 28-18. Route PLGR antenna cable (9) along windshield center frame (28) with two self-tapping screws (25), loop clamps (26) and (20), existing screw (23), and washer (24).



- 20. LOOP CLAMP – MS21333-96 – QTY. 1
- 25. SELF-TAPPING SCREW – 9421073 – QTY. 2
- 26. LOOP CLAMP – MS21333-65 – QTY. 2

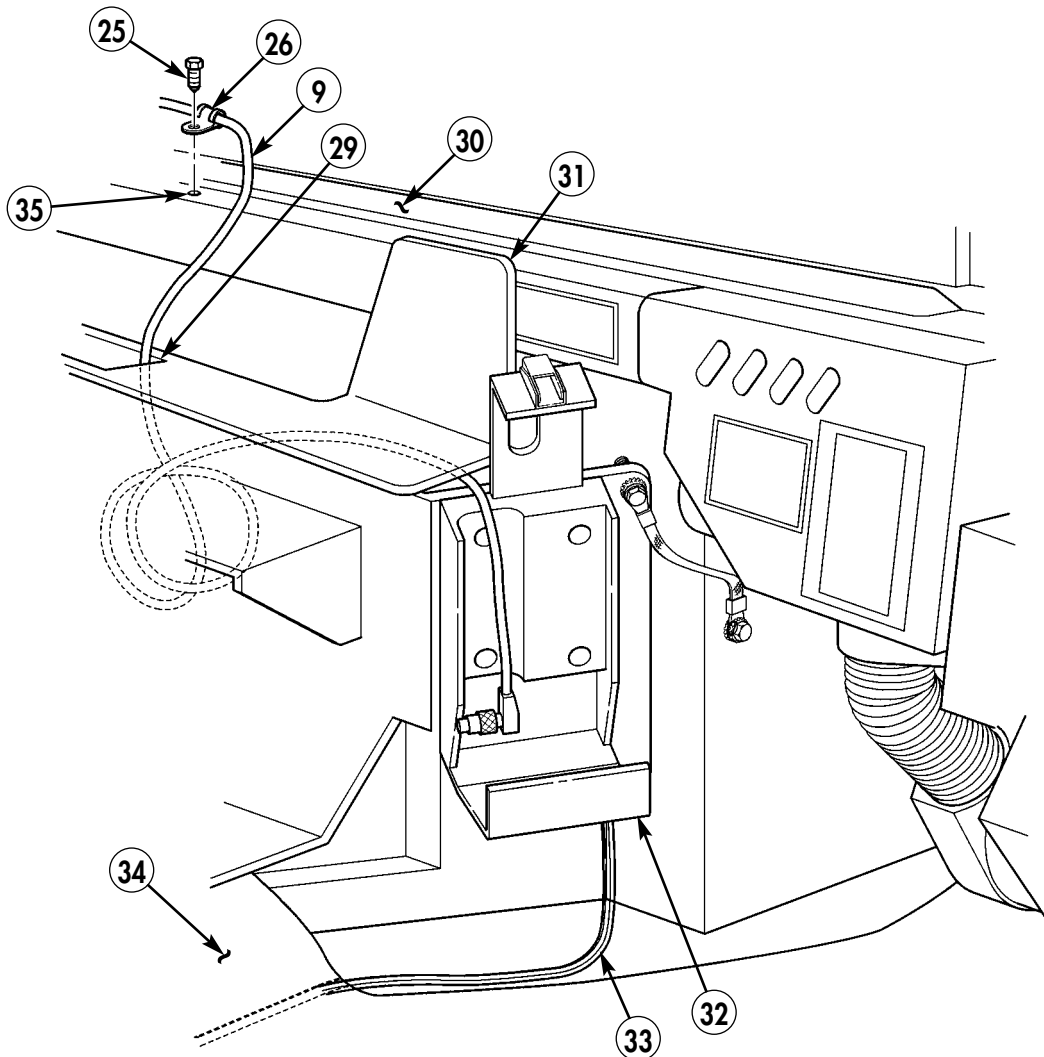
Figure 5-75.

- 28-19. Locate, mark, and drill one 0.147-in. hole (35) in top of windshield frame (30).
- 28-20. Route PLGR antenna cable (9) on top of windshield frame (30) and secure with loop clamp (26) and self-tapping screw (25).
- 28-21. Route PLGR antenna cable (9) down through center access hole (29) of integrated rack (31), and coil excess antenna cable (9) under integrated rack (31).
- 28-22. Route PLGR power cable (33) from PLGR installation mount (32) to right-side tunnel insulation (34).

NOTE

Loosen right-side tunnel insulation before performing step 28-23.
(Refer to TM 9-2320-280-20.)

- 28-23. Route PLGR power cable (33) under edge of right-side tunnel insulation (34) to 24V terminal bar at cab enclosure panel.



- 25. SELF-TAPPING SCREW – 9421073 – QTY. 1
- 26. LOOP CLAMP – MS21333-65 – QTY. 1
- 33. PLGR POWER CABLE – 9728558-10 – QTY. 1

Figure 5-76.

NOTE

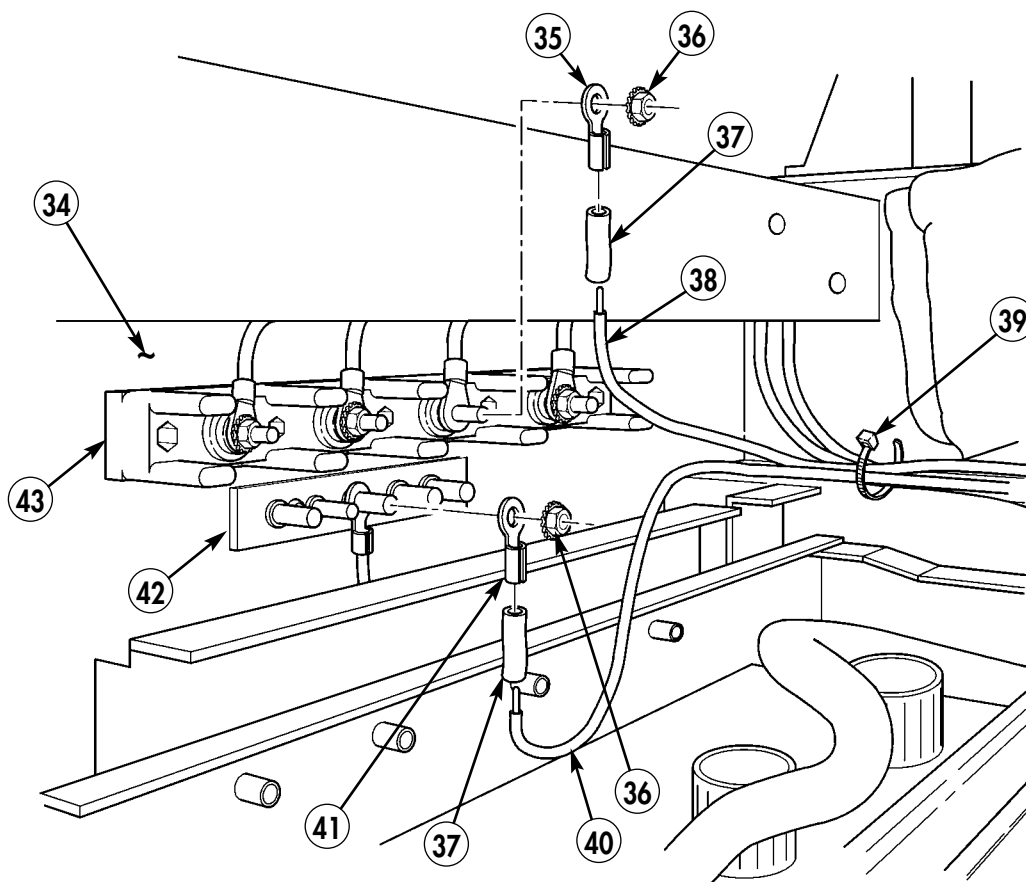
PLGR power cable positive lead insulation is ribbed.

- 28-24. Attach shrink tubing (37) and terminal lugs (35) and (41) to PLGR power cable negative lead (40) and PLGR power cable positive lead (38). (Refer to TM9-2320-280-20 for terminal connector repair.)
- 28-25. Attach PLGR power cable positive lead (38) to 24V terminal board (43), located on cab enclosure panel (34), with existing nut (36).
- 28-26. Attach PLGR power cable negative lead (40) to ground strap (42), located on cab enclosure panel (34), with existing nut (36).
- 28-27. Coil excess positive and negative power leads (38) and (40), place beneath ground strap (42), and secure with tiedown strap (39).

NOTE

Ensure all excess antenna cable is inside cab of vehicle.

- 28-28. Coil excess antenna cable and store under integrated rack using tiedown strap as necessary. (Refer to Figure 5-76.)
- 28-29. Install right-side tunnel insulation. (Refer to TM 9-2320-280-20.)

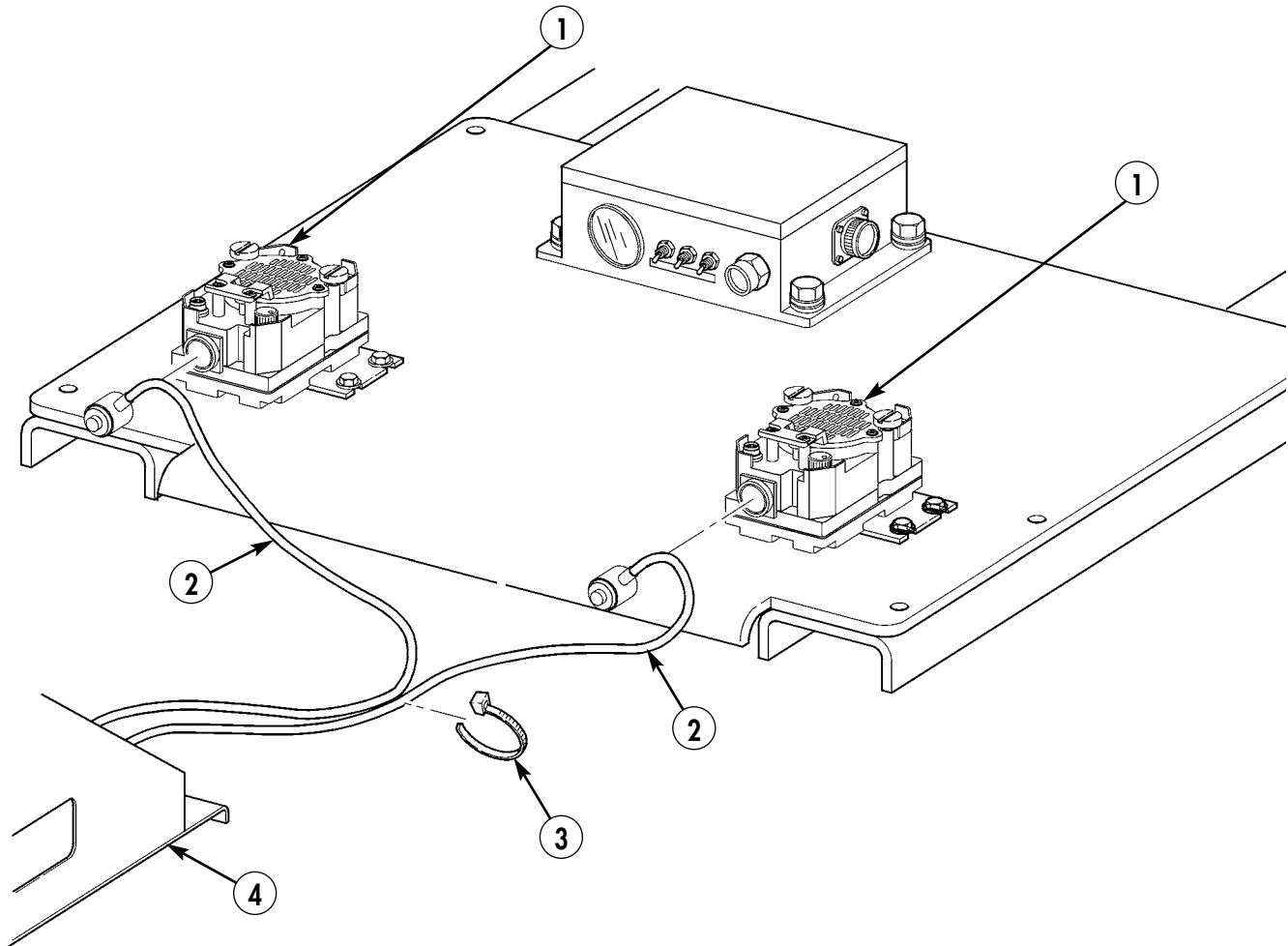


- 35. TERMINAL LUG – 7728780 – QTY. 1
- 37. SHRINK TUBING – MS23053/4-302-0 – QTY. A/R
- 39. TIEDOWN STRAP – MS3367-1-0 – QTY. A/R
- 41. TERMINAL LUG – 7728777 – QTY. 1

Figure. 5-77.

Section XXIX. LOUDSPEAKER CABLES INSTALLATION

- 29-1. Connect speaker cables (2) to loudspeakers (1).
- 29-2. Secure cables (2) together with tiedown strap (3).
- 29-3. Route speaker cables (2) to integrated rack (4).



- 2. LOUDSPEAKER CABLE – A3014038-3 – QTY. 2
- 3. TIEDOWN STRAP – MS3367-1-0 – QTY. 1

Figure 5-78.

- 29-4.** Route speaker cables (2) through center access hole (6) in integrated rack (4) and behind SINCGARS mounting base MT-6352/VRC (5).

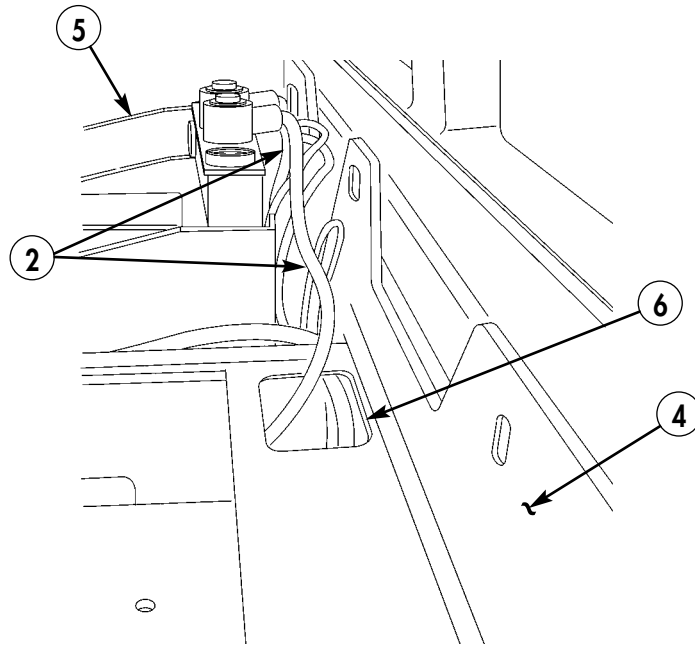


Figure 5-79.

- 29-5.** Connect speaker cables (2) to SINCGARS mounting base power distribution (7).

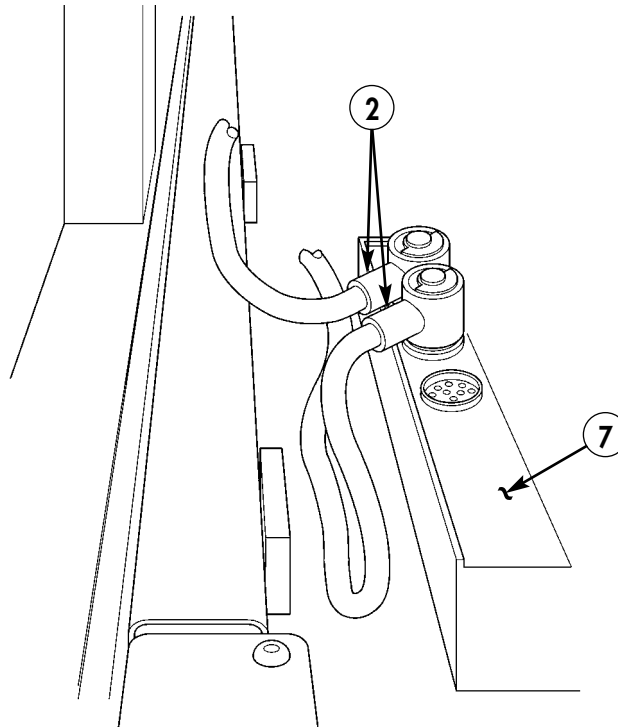
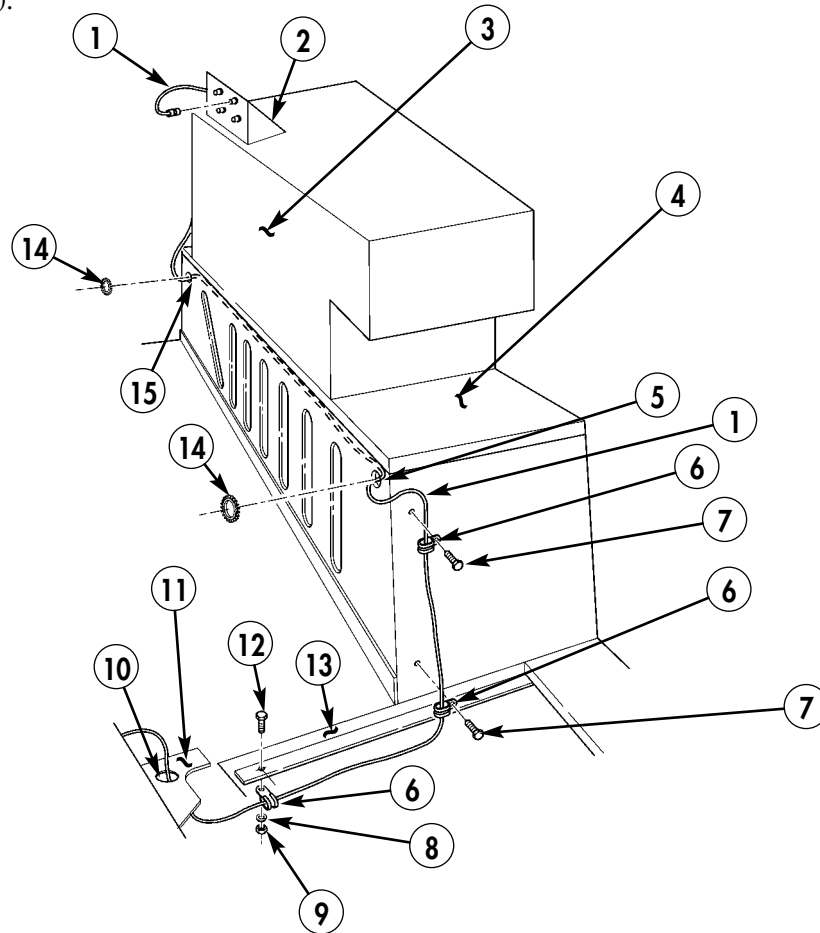


Figure 5-80.

Section XXX. NTDR POWER AND UHF CABLE INSTALLATION

- 30-1. Install grommet material (14) in two holes (5) and (15) of left wheelwell (4).
- 30-2. Route cable (1) from connection box (2) down tool box (3) into rear hole (15) of left wheelwell (4).
- 30-3. Route cable (1) along underside of left wheelwell (4).
- 30-4. Route cable (1) through front hole (5) of left wheelwell (4).
- 30-5. Route cable (1) down front of wheelwell (4) to C-beam (13). Secure cable to wheelwell (4) with clamps (6) and self-tapping screws (7).
- 30-6. Route cable (1) along C-beam (13) and secure with clamp (6), capscrew (12), lockwasher (8), and nut (9).
- 30-7. Route cable (1) up through hole (10) in frame (11) of multi-net rack (17).
- 30-8. Route cable (1) through lower hole (16) of multi-net rack (17) and to vicinity of NTDR mounting bracket (19).
- 30-9. Route NTDR power cable (18) from battery box to rear of multi-net rack (17).
- 30-10. Route NTDR power cable (18) along rear of multi-net rack (17) to vicinity of NTDR mounting bracket (19).



- 1. UHF CABLE - 8174914-7 - QTY. 1
- 6. LOOP CLAMP - MS21333-77 - QTY. 2
- 7. SELF-TAPPING SCREW - 9421073 - QTY. 2
- 8. LOCKWASHER - MS35338-43 - QTY. 1
- 9. NUT, PLAIN ASSEMBLED - 9422771 - QTY. 1
- 12. SCREW - MS35206-265 - QTY. 1
- 14. GROMMET MATERIAL- MS35489-7 - QTY. 1

Figure 5-81.

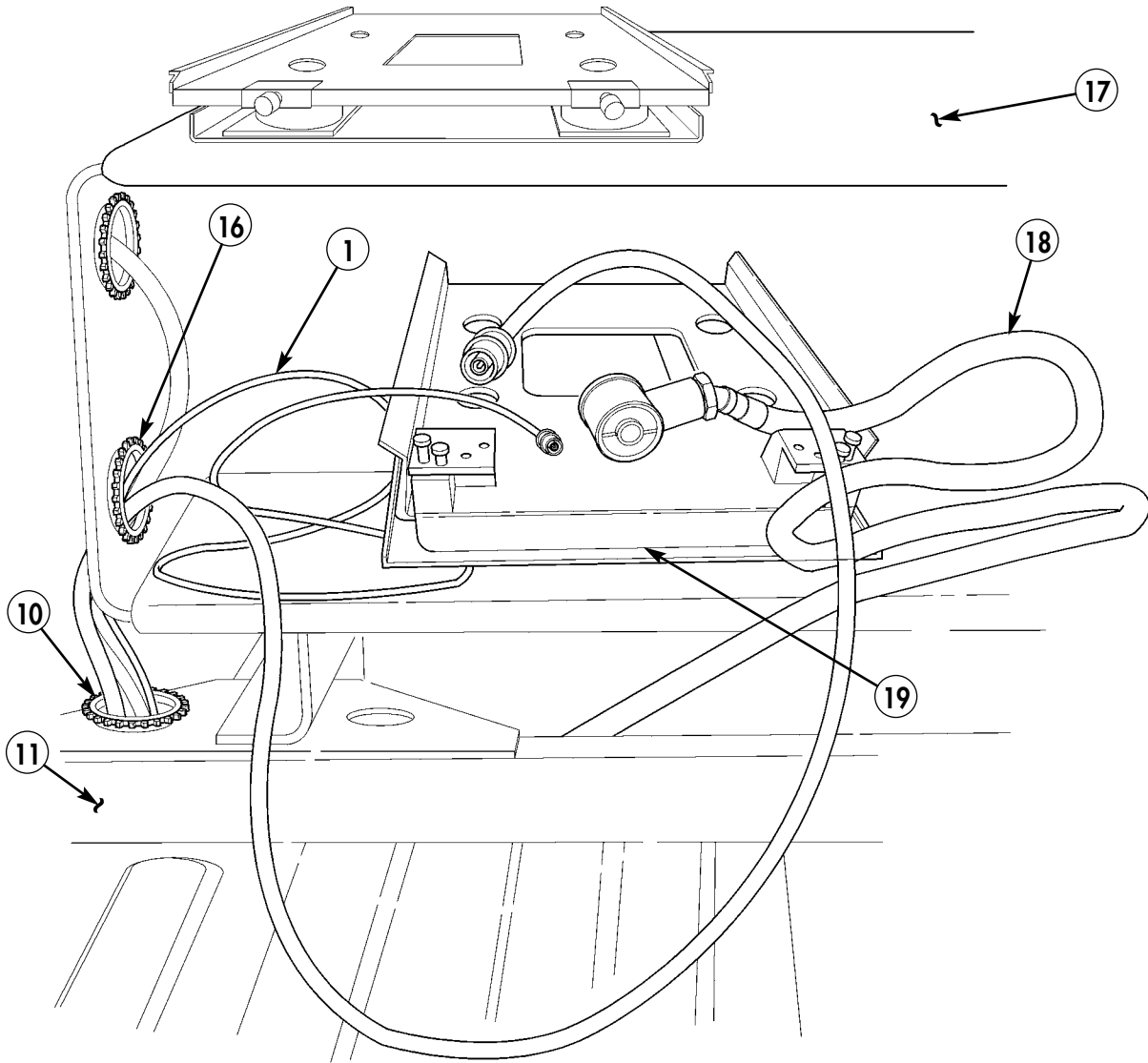
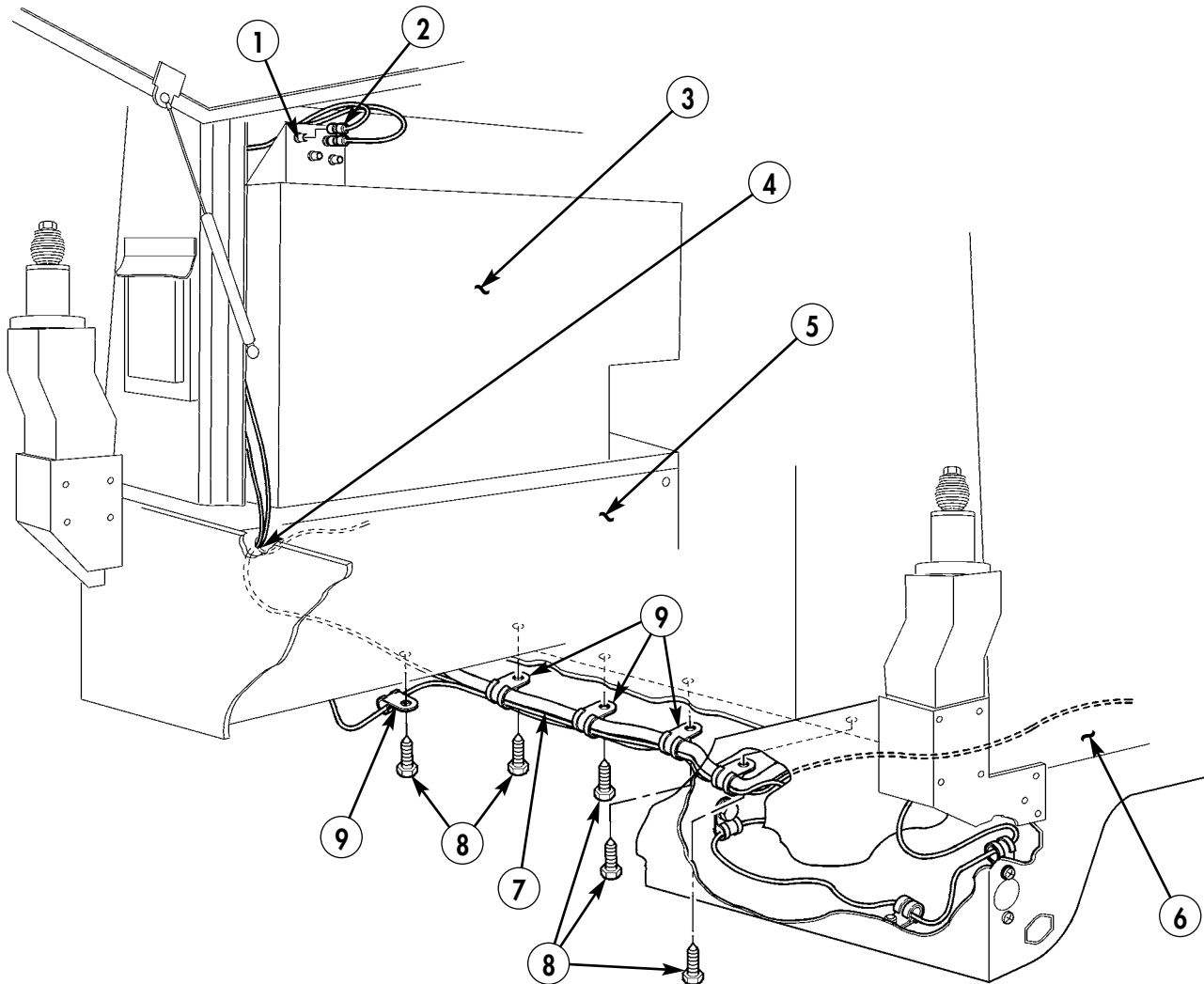


Figure 5-82.

Section XXXI. RIGHT EPLRS ANTENNA CABLE INSTALLATION

- 31-1. Route cable (2) from connection box (1) down tool box (3) into rear hole (4) of left wheelwell (5).
- 31-2. Route cable (2) along existing harness (7) to right wheelwell (6).
- 31-3. Route cable (2) under right wheelwell (6) with existing clamps (9) and screws (8).
- 31-4. Route cable (2) through grommet (10) of right wheelwell (6). Secure with clamp (11) and self-tapping screw (8).
- 31-5. Route cable (2) down outside of wheelwell (6) along C-beam (16) and through hole (15) in frame (14) of multi-net rack (13).
- 31-6. Route cable (2) up side of multinet rack (13) to vicinity of right-side EPLRS mount (12). Secure with clamps (17) and self tapping screws (18).



2. ANTENNA CABLE – SM-C-911480 – QTY. 1

Figure 5-83.

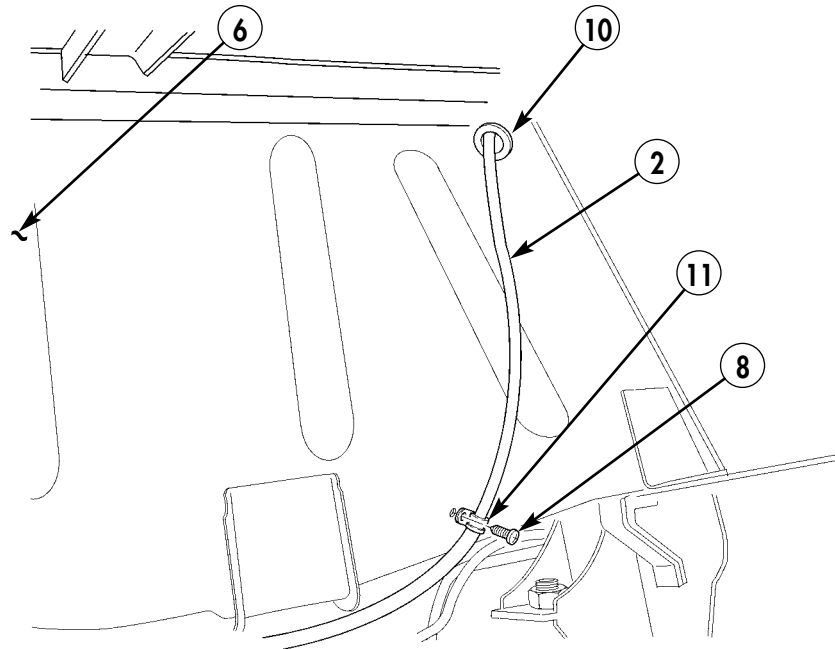
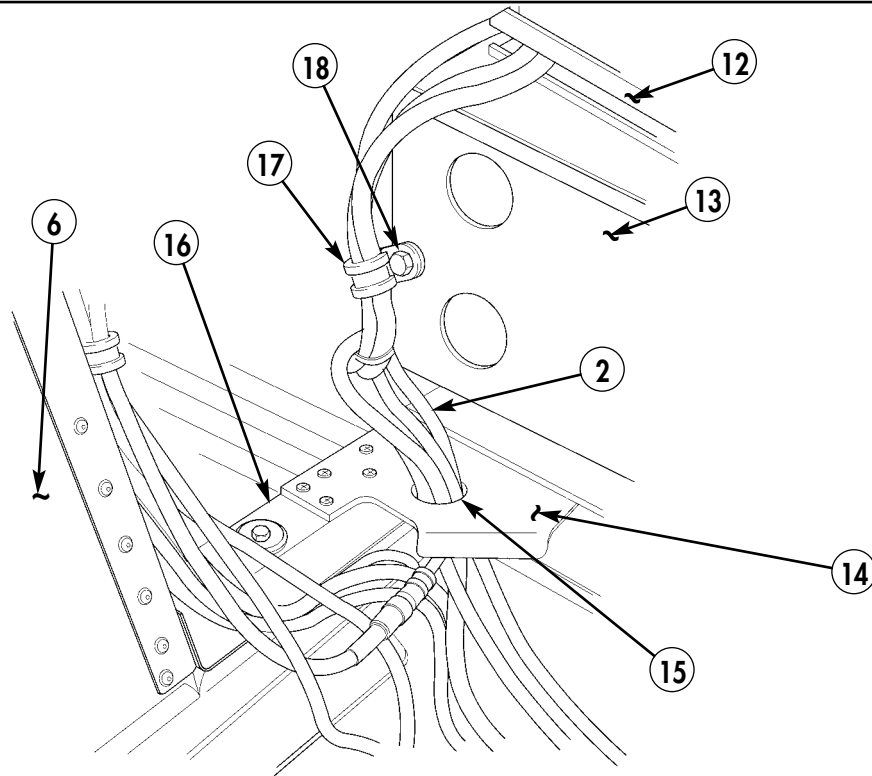


Figure 5-84.

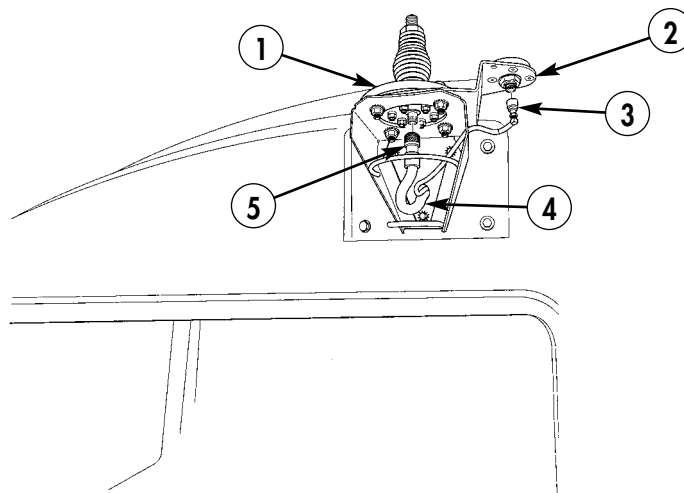


- 8. SELF-TAPPING SCREW - 9421073 - QTY. 1
- 10. GROMMET - MS35489-7 - QTY. 1
- 11. LOOP CLAMP - MS21333-75 - QTY. 1
- 17. LOOP CLAMP - MS21333-96 - QTY. 1

Figure 5-85.

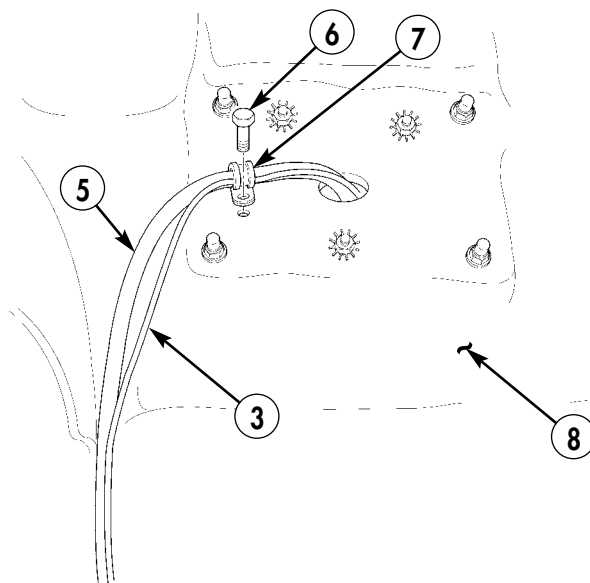
Section XXXII. LEFT-SIDE EPLRS ANTENNA CABLE AND NTDR ANTENNA CABLE INSTALLATION

- 32-1. Connect NTDR antenna cable (3) to NTDR antenna (2).
- 32-2. Connect EPLRS antenna cable (5) to EPLRS antenna (1).
- 32-3. Route NTDR antenna cable (3) and EPLRS antenna cable (5) through hole in bracket (4) and fiberglass body (8). Secure with clamp (7) and self-tapping screw (6).
- 32-4. Route cables to B-pillar (9). Secure with clamp (7) and self-tapping screw (6).
- 32-5. Route cables down B-pillar (9) to rear seat well (11).
- 32-6. Route cables through rear seat well (11) to C-beam (10).
- 32-7. Route cables along C-beam (10) and hole (13) in multi-net rack (15).
- 32-8. Route cables through hole in frame (12) and hole (13) in multi-net rack (15).
- 32-9. Route EPLRS antenna cable (5) to vicinity of left-side EPLRS mount (14).
- 32-10. Route NTDR antenna cable (3) to vicinity of NTDR mount (16).



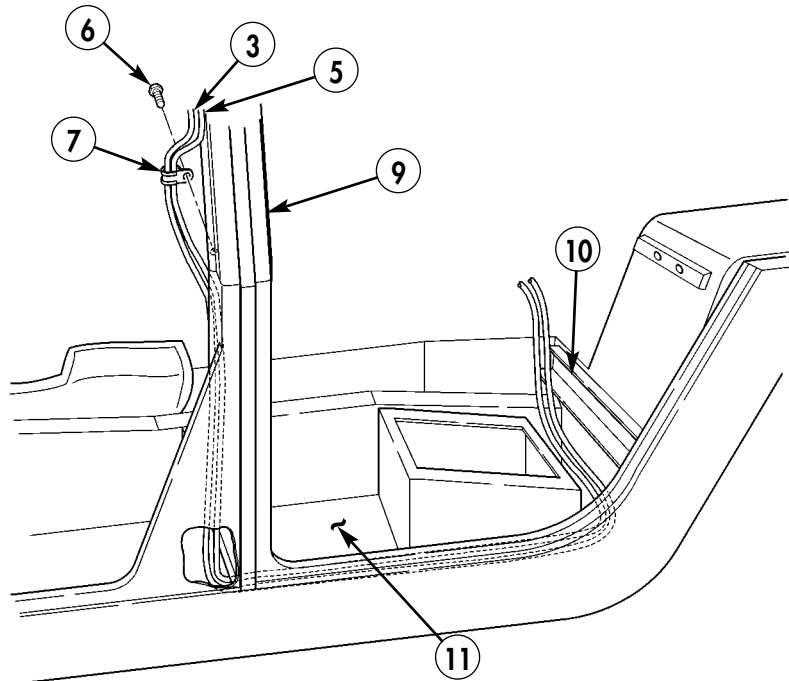
- 3. NTDR ANTENNA CABLE – 8174921-7 – QTY. 1
- 5. EPLRS ANTENNA CABLE – SM-C-911480 – QTY. 1

Figure 5-86.



- 6. SELF-TAPPING SCREW – 9421073 – QTY. 1
- 7. LOOP CLAMP – MS21333-71 – QTY. 1

Figure 5-87.



- 6. SELF-TAPPING SCREW - 9421073 - QTY. 1
- 7. LOOP CLAMP - MS21333-71 - QTY. 1

Figure 5-88.

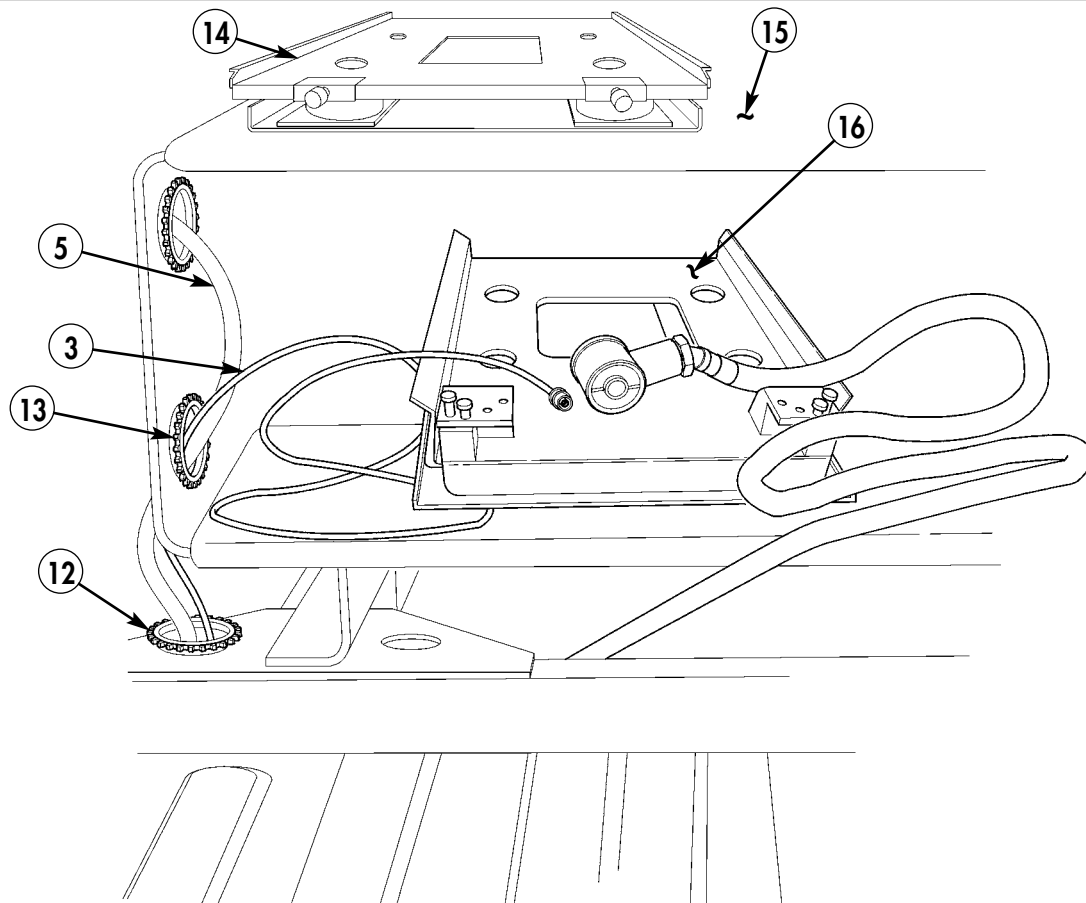
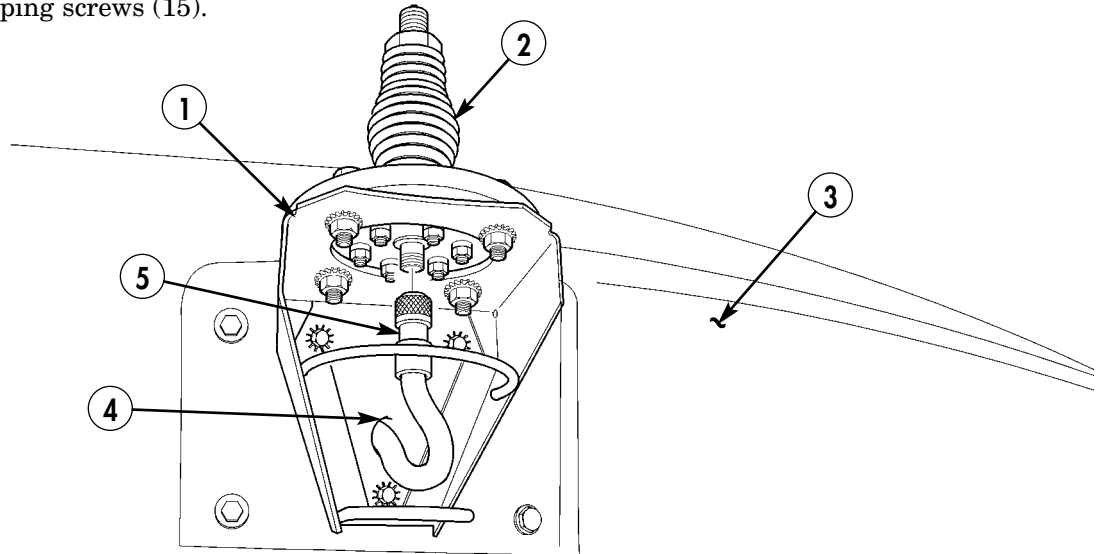


Figure 5-89.

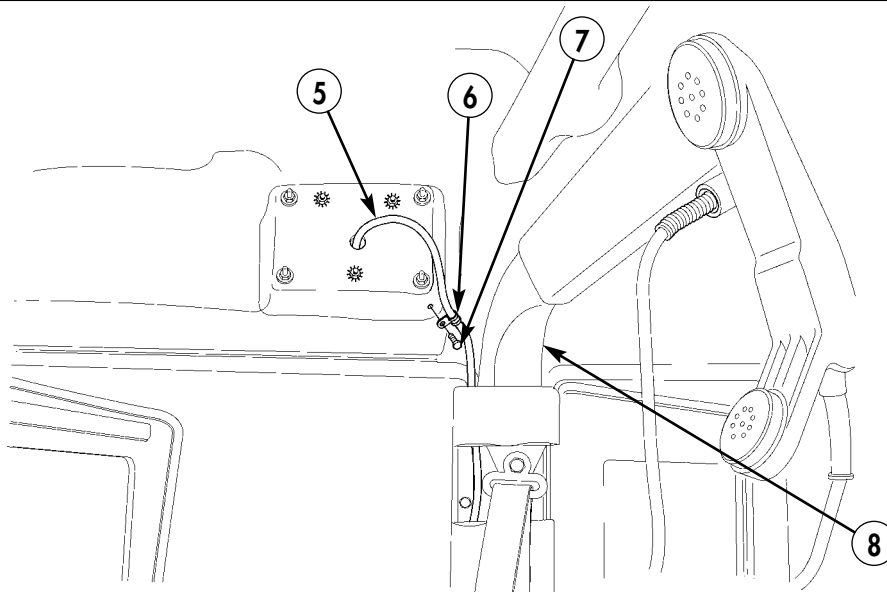
Section XXXIII. EPLRS ON WHEELWELL ANTENNA CABLE INSTALLATION

- 33-1.** Connect EPLRS antenna cable (5) to EPLRS antenna (2).
- 33-2.** Route EPLRS antenna cable (5) through hole (4) in bracket (1) and fiberglass body (3).
- 33-3.** Route cable (5) to B-pillar (8). Secure with clamp (6) and self-tapping screw (7).
- 33-4.** Route cable (5) down B-pillar (8), through cab enclosure panel (12) to rear seat well (13).
- 33-5.** Route cable (5) through rear seat well (13) and around battery box (11) to C-beam (10).
- 33-6.** Locate, mark, and drill one 0.147-in. diameter hole (17) in side of wheelwell (9).
- 33-7.** Locate, mark, and drill one 0.147-in. diameter hole (18) in top of wheelwell (9).
- 33-8.** Route cable (5) up right wheel well (9) to vicinity of EPLRS mount (14). Secure with clamps (16) and self-tapping screws (15).



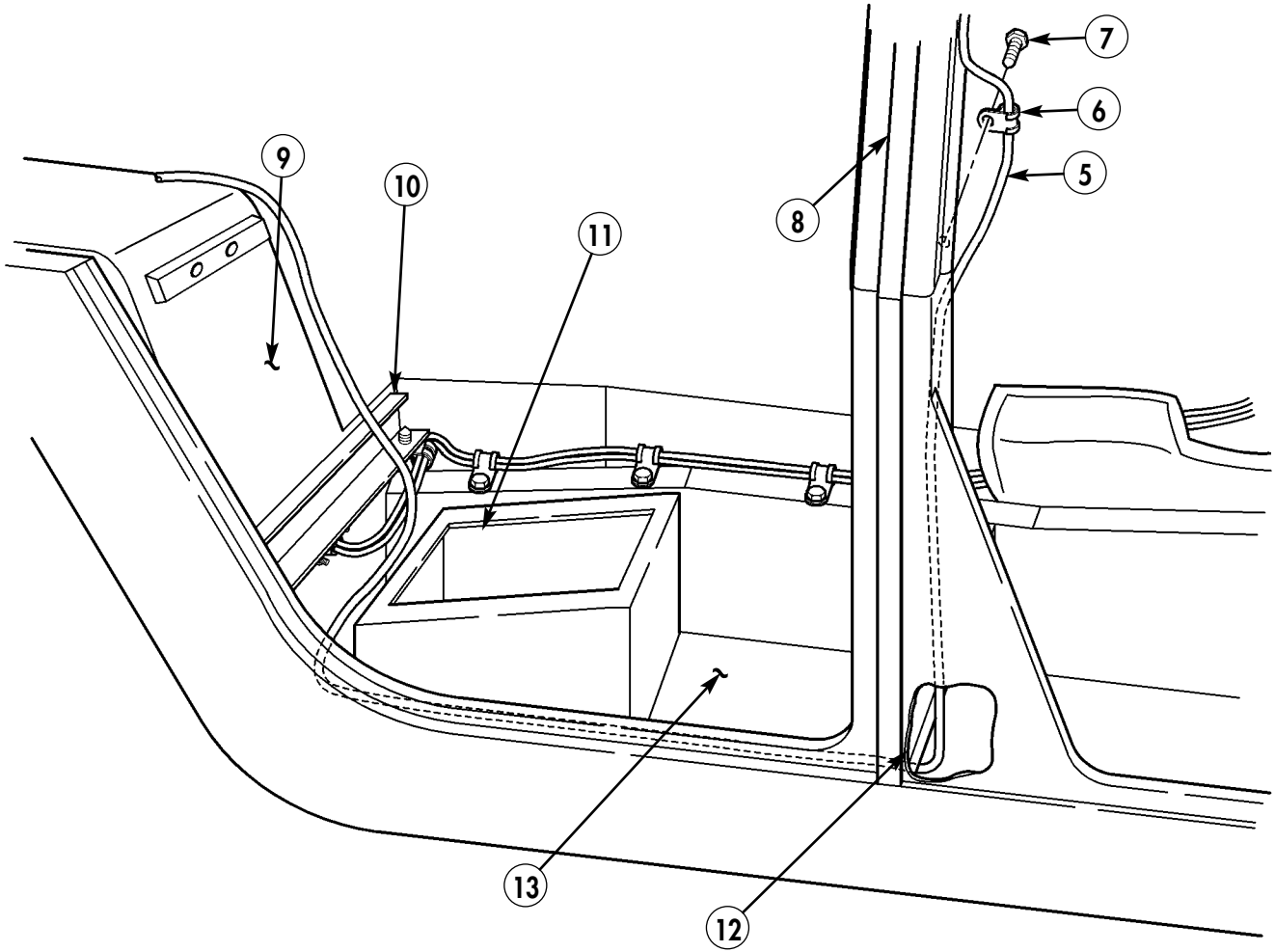
4. EPLRS ANTENNA CABLE – SM-C-911480 – QTY. 1

Figure 5-90.



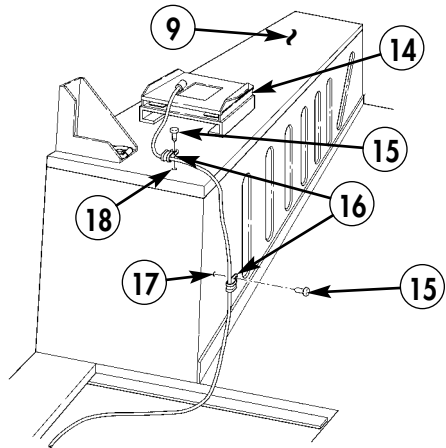
6. LOOP CLAMP – MS21333-71 – QTY. 1
7. SELF-TAPPING SCREW – 9421073 – QTY. 1

Figure 5-91.



- 6. LOOP CLAMP - MS21333-71 - QTY. 1
- 7. SELF-TAPPING SCREW - 9421073 - QTY. 1

Figure 5-92.

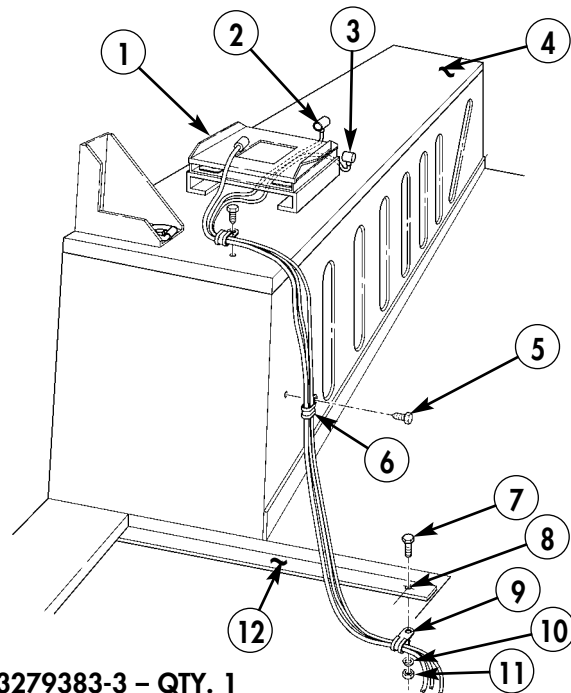


- 15. SELF-TAPPING SCREW - 9421073 - QTY. 1
- 16. LOOP CLAMP - MS21333-77 - QTY. 1

Figure 5-93.

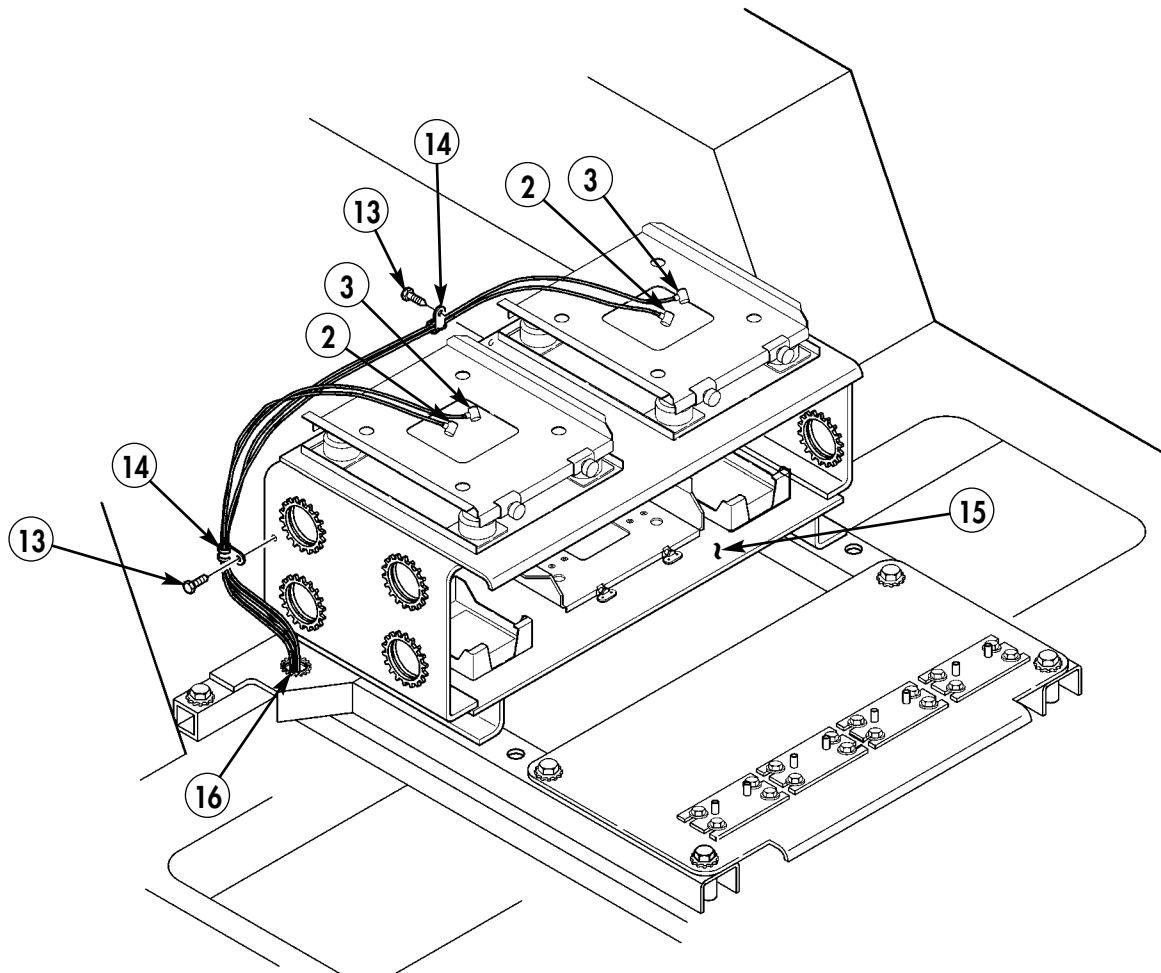
Section XXXIV. EPLRS POWER CABLE AND INC-EPUU CABLE INSTALLATION

- 34-1. Route INC-EPUU cable (2) and EPLRS power cable (3) under EPLRS mount assembly (1), down side of right rear wheelwell (4) to C-beam (12). Secure with existing clamp (6) and screw (5).
- 34-2. Route INC-EPUU cable (2) and EPLRS power cable (3) along C-beam (12). Secure with existing clamp (6) and screw (5).
- 34-3. Secure INC-EPUU cable (2) and EPLRS power cable (3) to existing hole (8) in C-beam (12) with clamp (9), existing screw (7), existing lockwasher (10), and existing nut (11).
- 34-4. Route left-side EPLRS power cable (3) and INC-EPUU cable (2) along rear of multi-net rack (15). Secure with clamp (14) and self-tapping screw (13).
- 34-5. Route left-side EPLRS power cable (3) and INC-EPUU cable (2) down right side of multi-net rack (15) to hole in frame (16).
- 34-6. Route right-side EPLRS power cable (3) and INC-EPUU cable (2) down right side of multi-net rack (15) and through hole in frame (16) of multi-net rack (15).
- 34-7. Secure cables to right side of multi-net rack (15) with clamp (14) and self-tapping screw (13).



- 2. INC-EPUU CABLE – A3279383-3 – QTY. 1
- 3. EPLRS POWER CABLE – A3004939 – QTY. 1
- 9. LOOP CLAMP – MS21333-77 – QTY. 1

Figure 5-94.



- 2. INC-EPUU CABLE – A3279383-3 – QTY. 2
- 3. EPLRS POWER CABLE – A3004939 – QTY. 2
- 13. SELF-TAPPING SCREW – 9421073 – QTY. 1
- 14. LOOP CLAMP – MS21333-77 – QTY. 1

Figure 5-95.

NOTE

Loosen right-side tunnel insulation. (Refer to TM 9-2320-280-20.)

- 34-8. Route INC-EPUU cables (2) and power cables (3) forward along tunnel edge (20) and under B-beam (18), and secure to tunnel edge (20) with existing screws (17) and clamps (19).

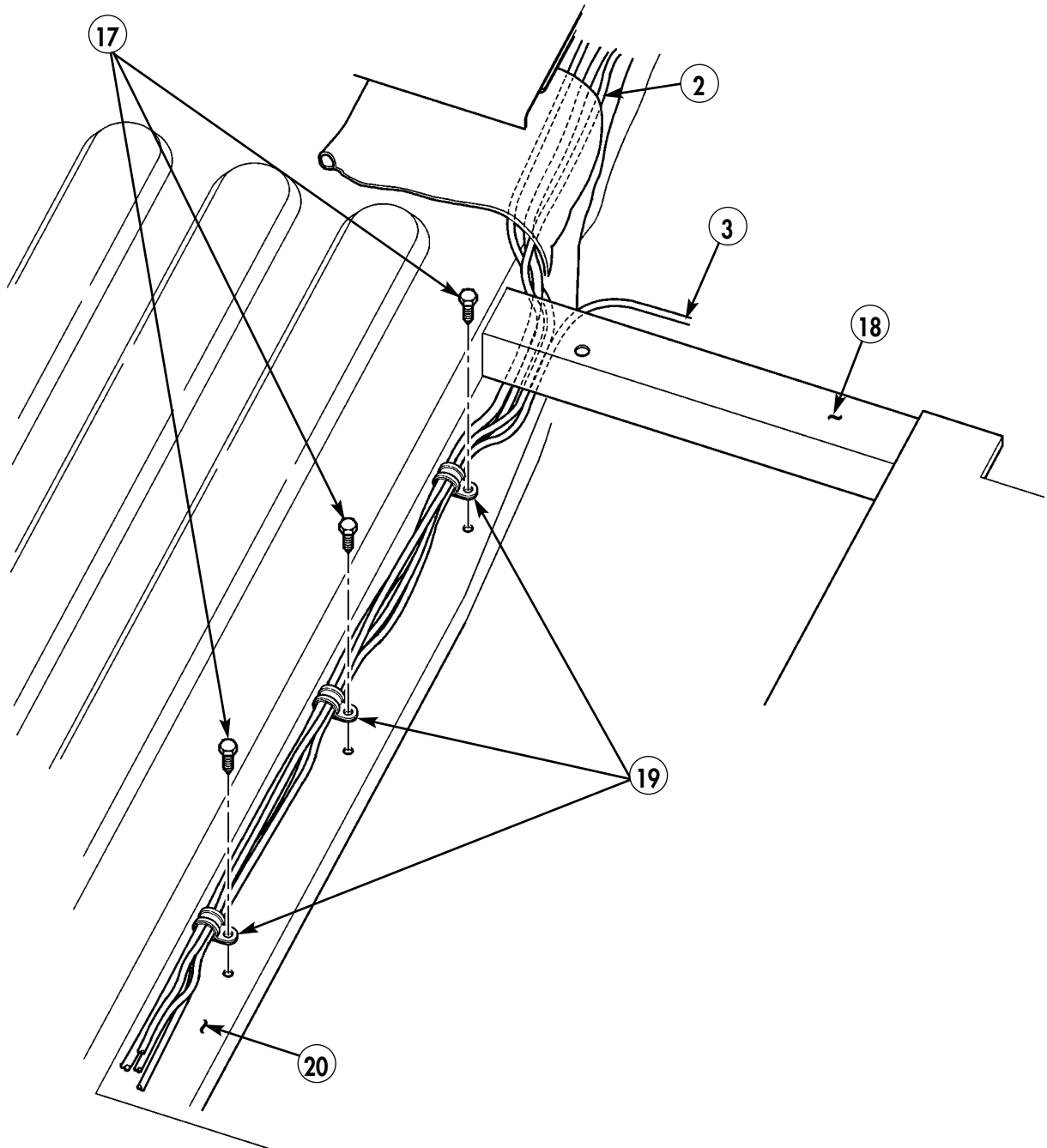


Figure 5-96.

- 34-9. Route INC-EPUU cables (2) under right-side tunnel insulation (21) and under integrated rack (22).
- 34-10. Route power cables (3) along B-beam (18) towards terminal board area.

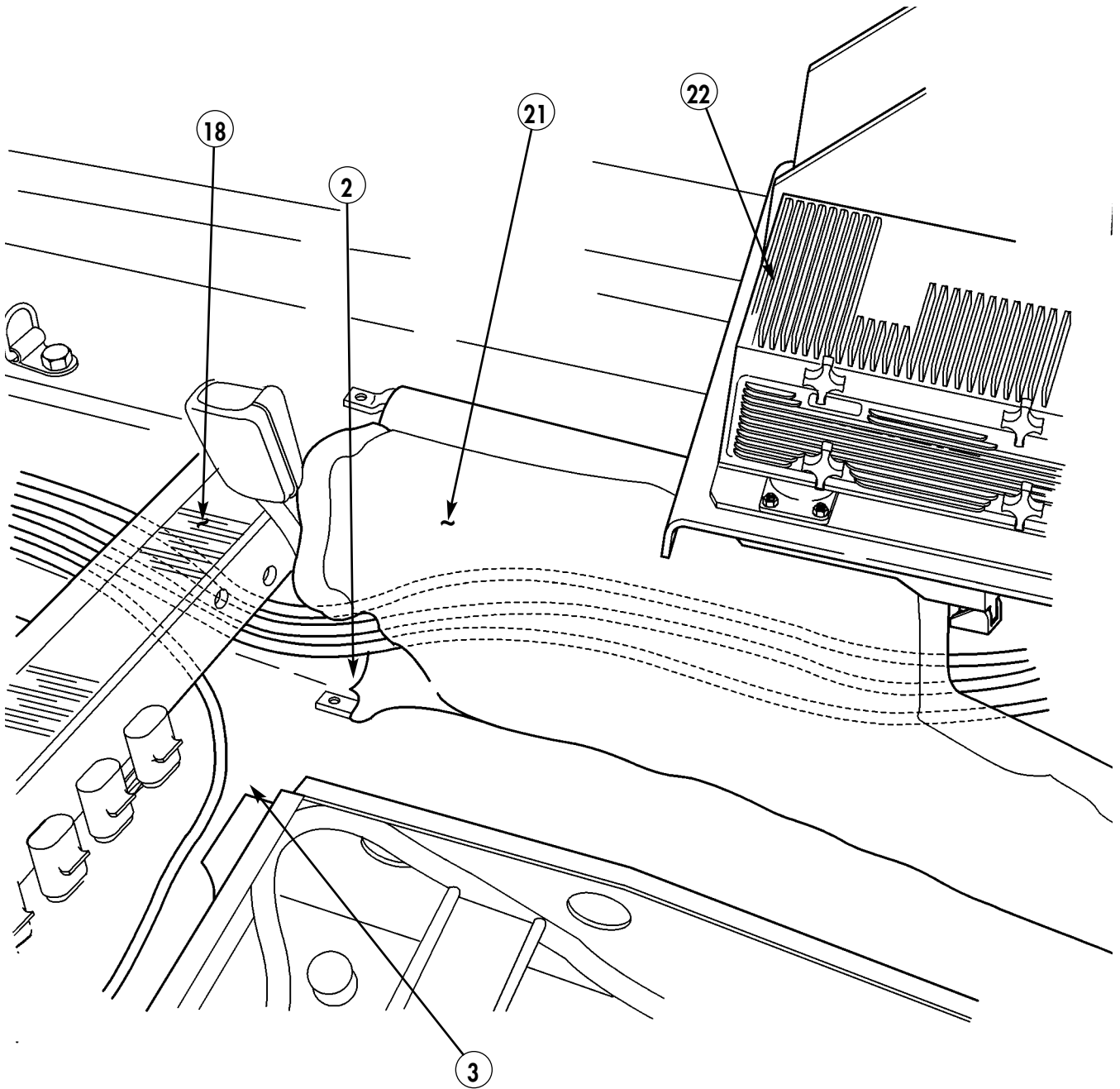
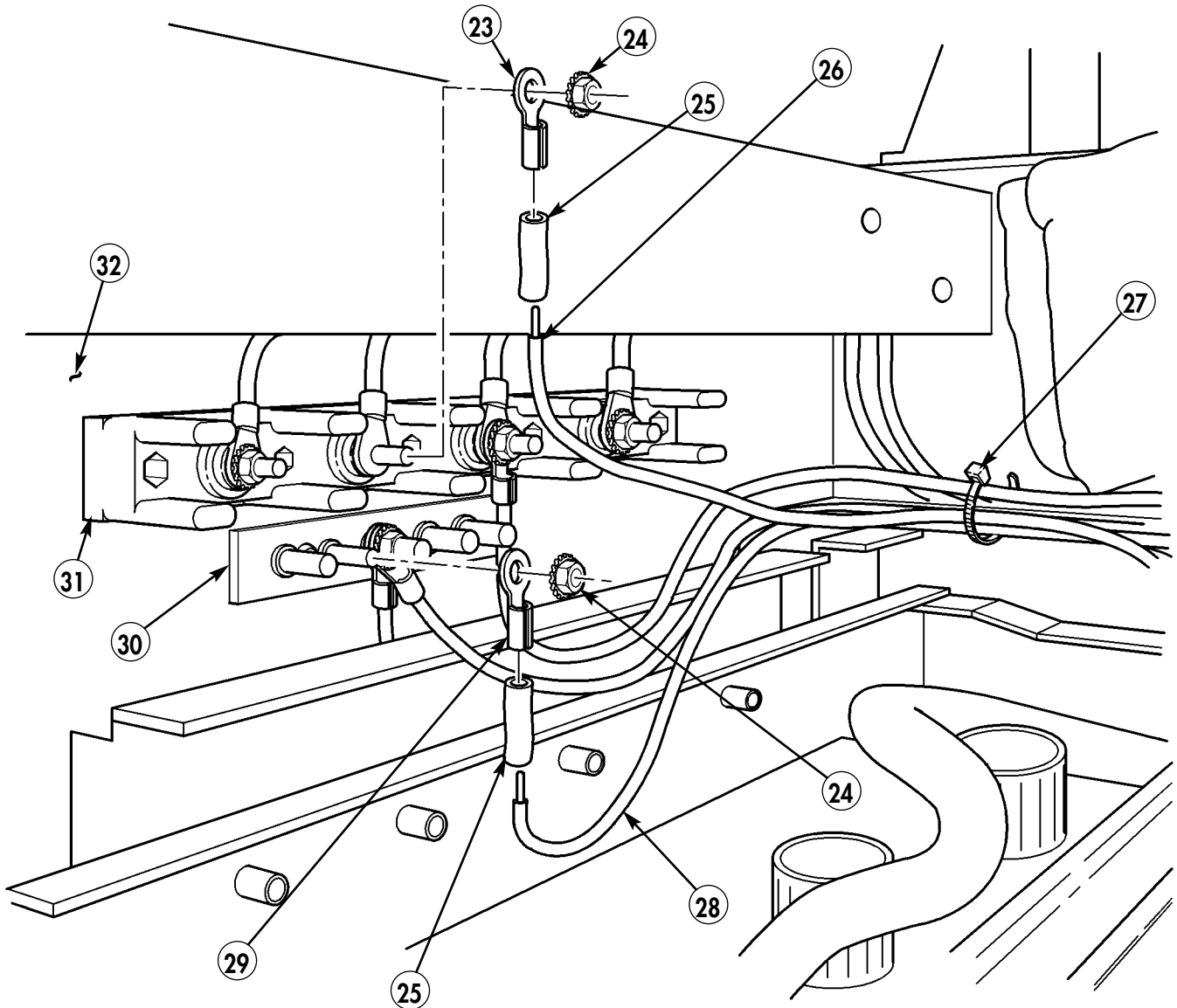


Figure 5-97.

NOTE

Buss bar attachment is for one EPLRS unit. Procedure for other two units is similiar.

- 34-11. Attach shrink tubing (25) and two terminal lugs (23) and (29) to power cable negative lead (28) and power cable positive lead (26). (Refer to TM 9-2320-280-20 for terminal connector repair.)
- 34-12. Connect power cable positive lead (26) to 24V terminal board (31), located on cab enclosure panel (32), with existing nut (24).
- 34-13. Connect power cable negative lead (28) to ground strap (30), located on cab enclosure panel (32), with existing nut (24). Secure leads together with tiedown strap (27).



- 23. TERMINAL LUG - 7728780 - QTY. 1
- 25. SHRINK TUBING - MS23053/4-302-0 - QTY. A/R
- 27. TIEDOWN STRAP - MS3367-1-0 - QTY. A/R
- 29. TERMINAL LUG - 7728777 - QTY. 1

Figure 5-98.

NOTE

All previously routed cables have been removed from figure 5-99 for clarity.

- 34-14. Route INC-EPUU cable (2) forward under integrated rack (35), up through center access hole (34), and rest on SINCGARS mount (33).
- 34-15. Take all slack out of cables and store cables under EPLRS mount assembly.
- 34-16. Tighten screws on all clamps.
- 34-17. Secure right-side tunnel insulation (36). (Refer to TM 9-2320-280-20.)

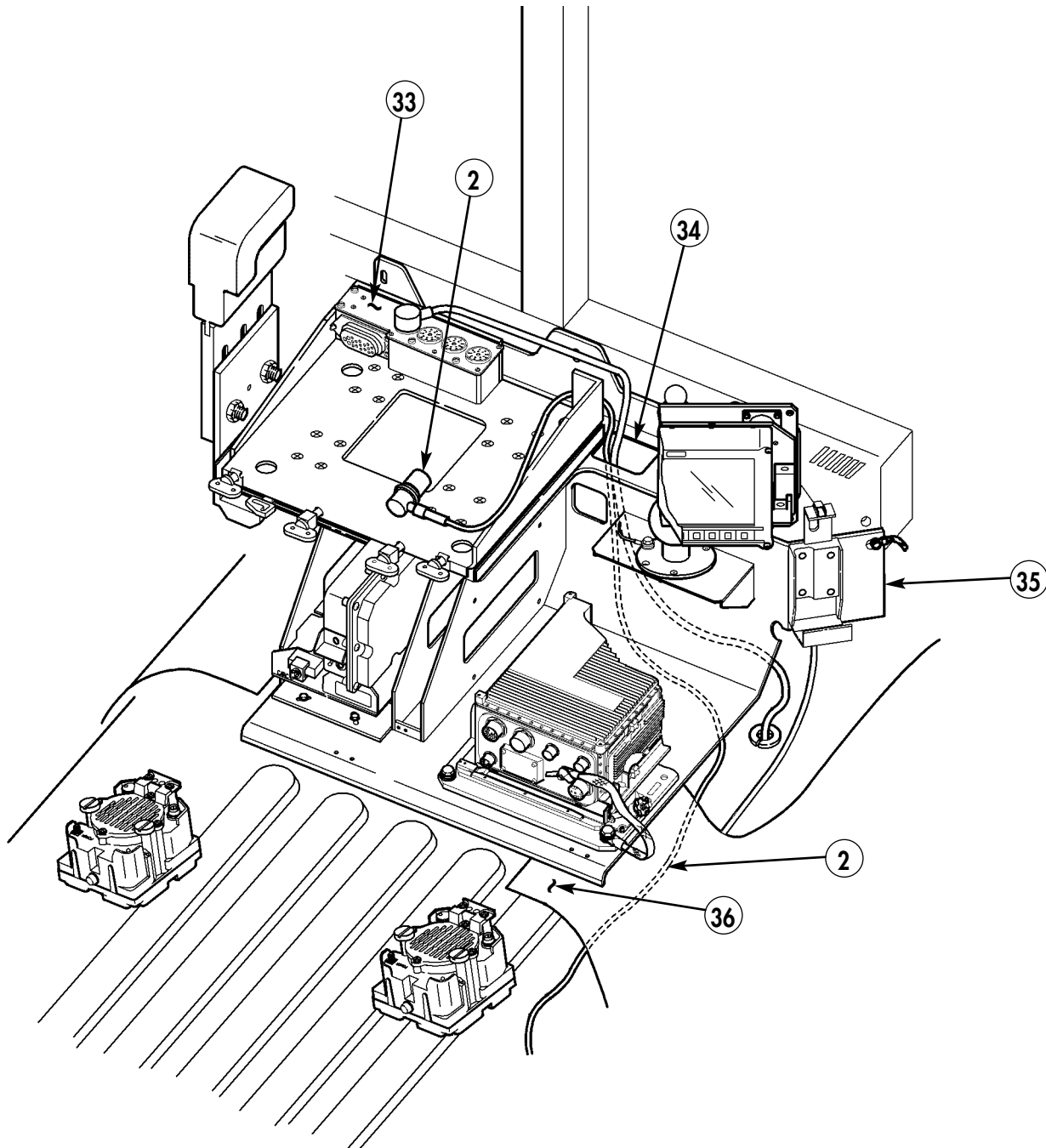
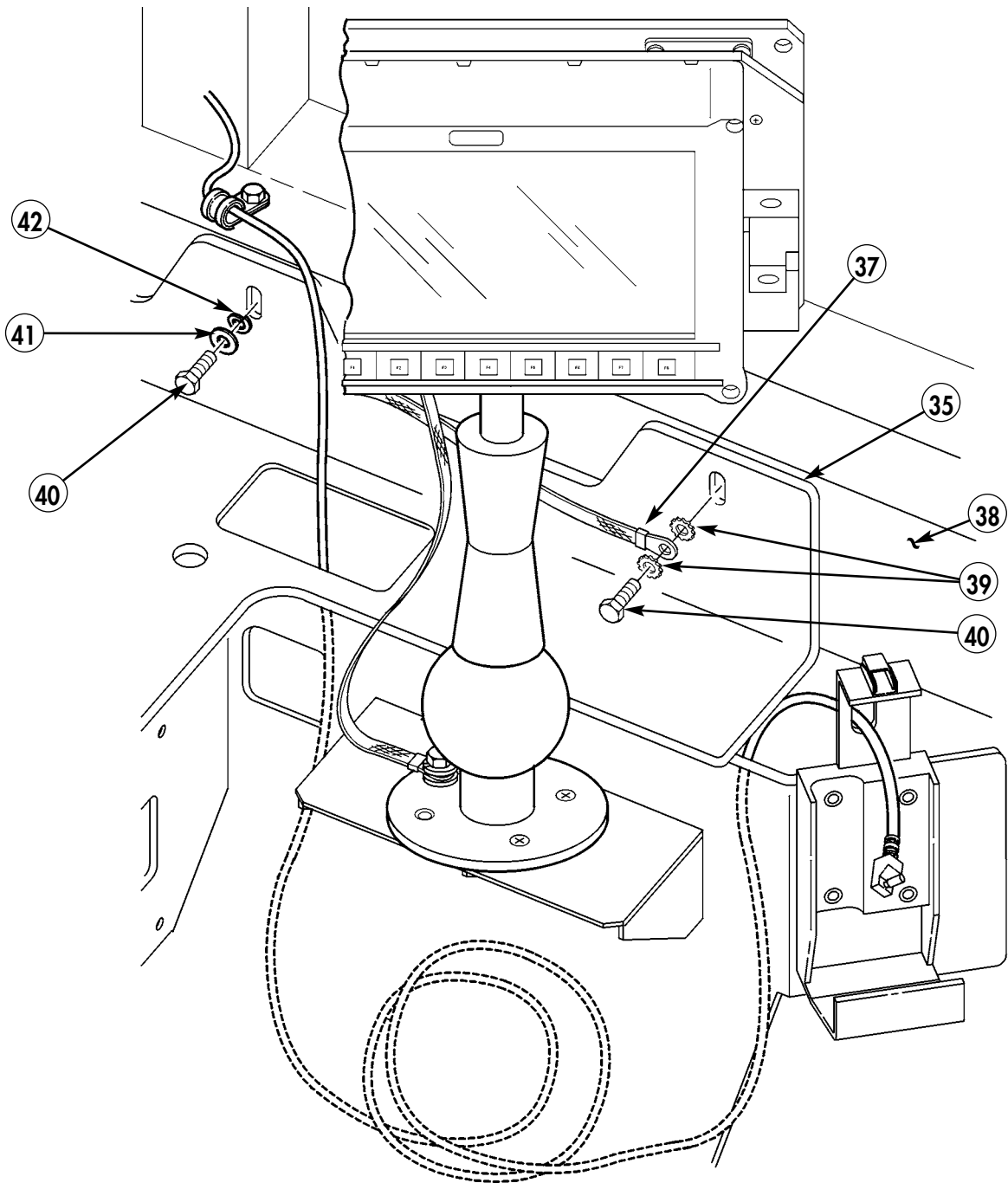


Figure 5-99.

NOTE

Integrated rack will be secured to dash at this time.

- 34-18.** Secure integrated rack (35) to plenum (38) with three capscrews (40), two washers (41), two lockwashers (42), two lockwashers (39), and ground strap (37). Tighten lower mounting screws on integrated rack (35). (Refer to chapter 5, section VIII.)



- 39. LOCKWASHER – MS45904-68 – QTY. 2
- 40. CAPSCREW – B1821BH025C100N – QTY. 3
- 41. WASHER – MS27183-10 – QTY. 2
- 42. LOCKWASHER – MS35338-44 – QTY. 2

Figure 5-100.

Section XXXV. C4ISR POWER CABLES INSTALLATION

35-1. Locate, mark, and drill one 0.125-in. diameter hole (2) in rear battery box (1).

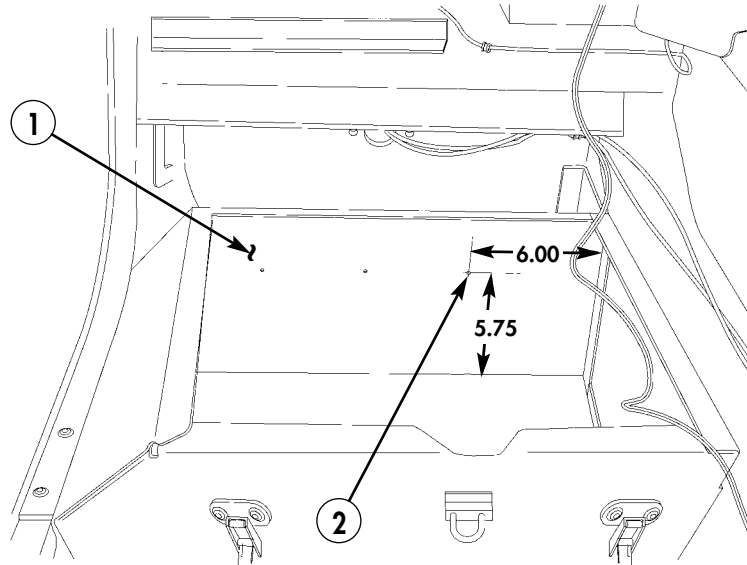
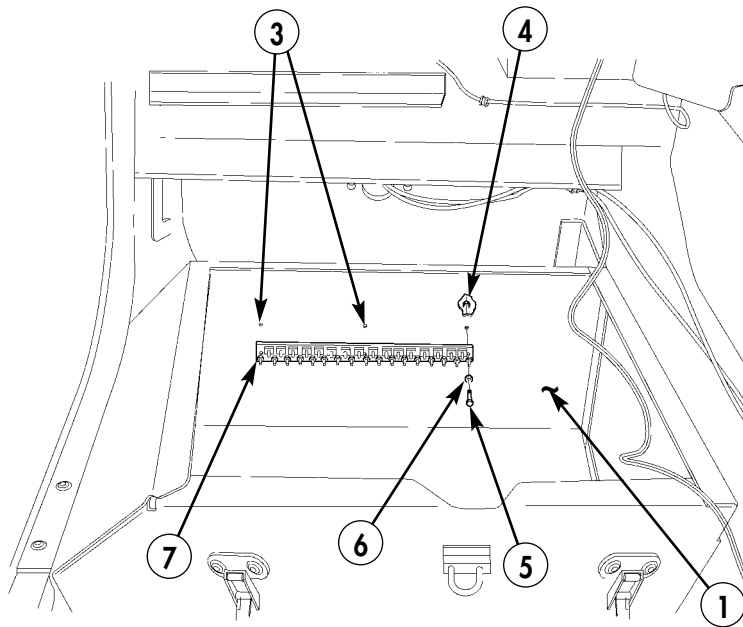


Figure 5-101.

35-2. Using terminal block as template, locate, mark, and drill two 0.125-in. diameter holes (3) in rear battery box (1).

35-3. Install terminal block (7) in battery box (1) with three screws (5), washers (6), and locknuts (4).



- 4. LOCKNUT (4-40) – MS21044-NO4 – QTY. 3
- 5. SCREW – MS35206-217 – QTY. 3
- 6. WASHER – MS27183-4 – QTY. 3
- 7. TERMINAL BLOCK – MS27212-1-23 – QTY. 1

Figure 5-102.

35-4. Locate, mark, and drill one 0.188-in. diameter hole (9) in battery box (1).

35-5. Using shunt as template, locate, mark, and drill one 0.188-in. diameter hole (8) in battery box (1).

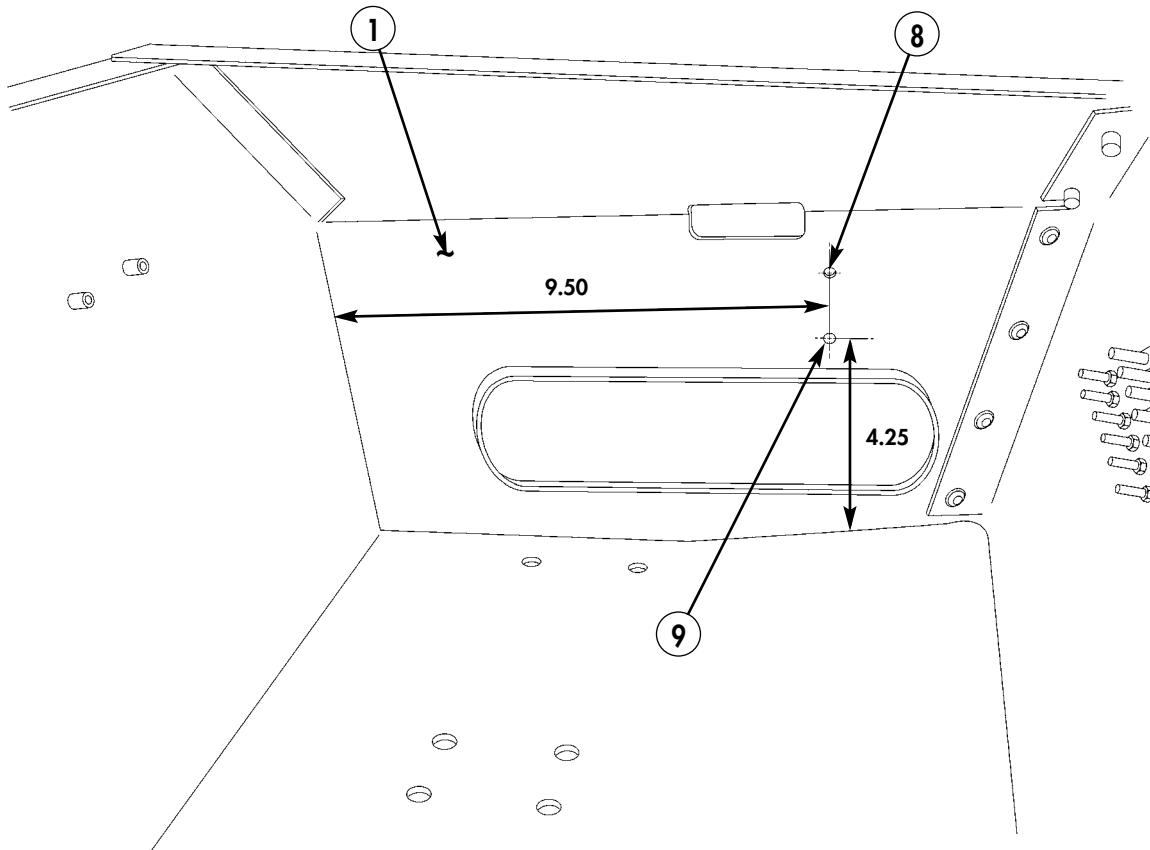
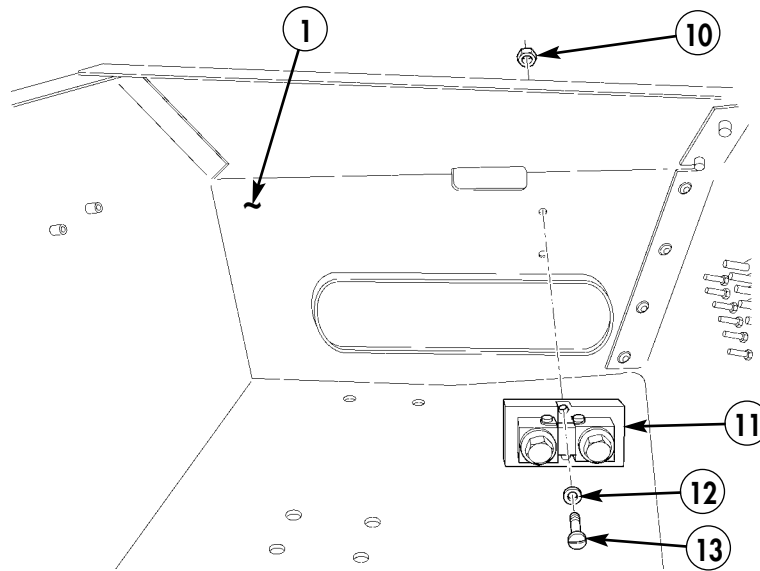


Figure 5-103.

35-6. Install shunt (11) in battery box (1) with two screws (13), washers (12), and locknuts (10).



- 10. LOCKNUT – MS21044-NO8 – QTY. 2
- 11. SHUNT – PKMM 000-013 – QTY. 1
- 12. WASHER – MS27183-41 – QTY. 2
- 13. SCREW – MS35206-247 – QTY. 2

Figure 5-104.

35-7. Locate, mark, and drill one 0.281-in. diameter hole (14) in battery box (1).

35-8. Using solenoid as template, locate, mark, and drill one 0.281-in. diameter hole (15) in battery box (1).

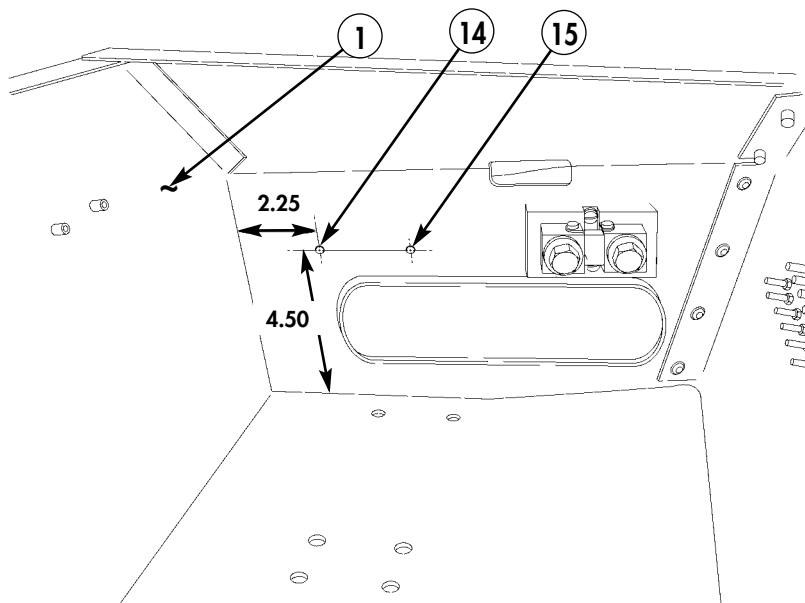
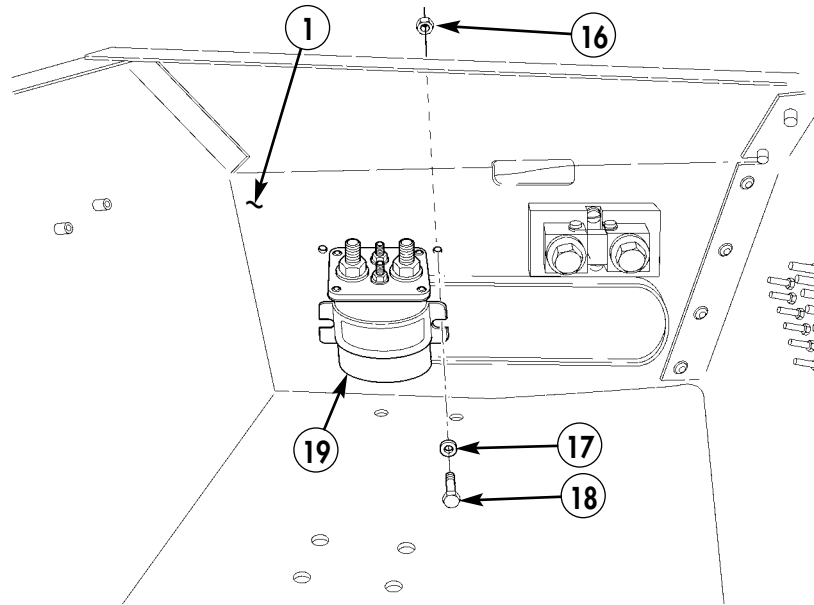


Figure 5-105.

35-9. Install solenoid (19) in battery box (1) with two capscrews (18), washers (17), and locknuts (16).

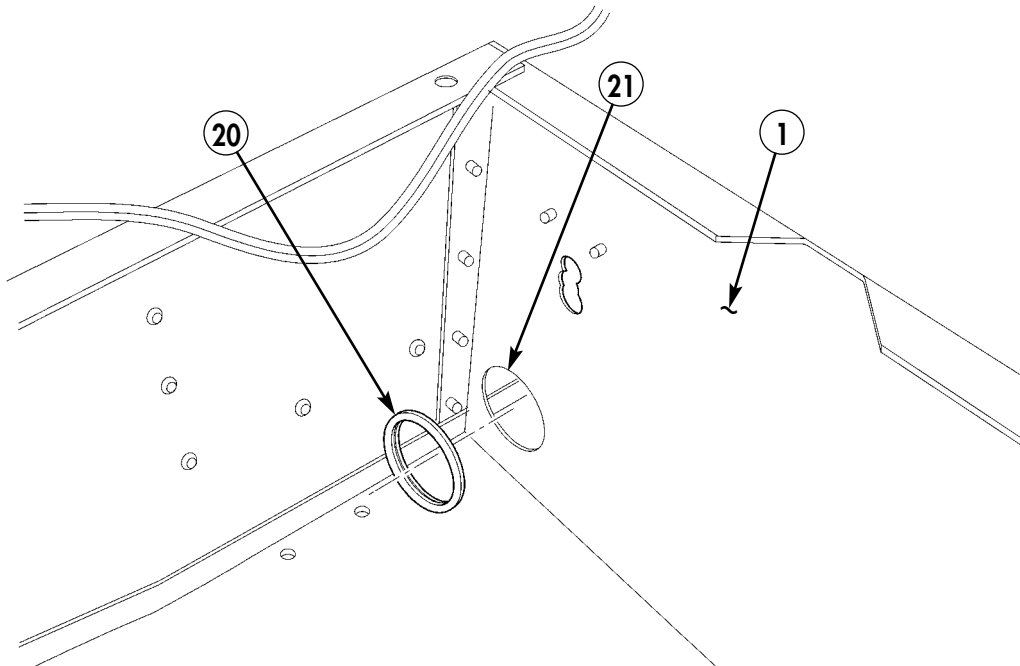


- 16. LOCKNUT - MS17829-4C - QTY. 2
- 17. WASHER - 2436161 - QTY. 2
- 18. CAPSCREW - B1821BH025C075N - QTY. 2
- 19. SOLENOID - 586-905 - QTY. 1

Figure 5-106.

35-10. Drill one 2.50-in. diameter hole (21) in battery box (1).

35-11. Cut grommet material (20) to length and install in hole (21) of battery box (1).



- 20. GROMMET MATERIAL - 12341628 - QTY. A/R

Figure 5-107.

35-12. Locate, mark, and drill one 1.25-in. diameter hole (22) in battery box (1).

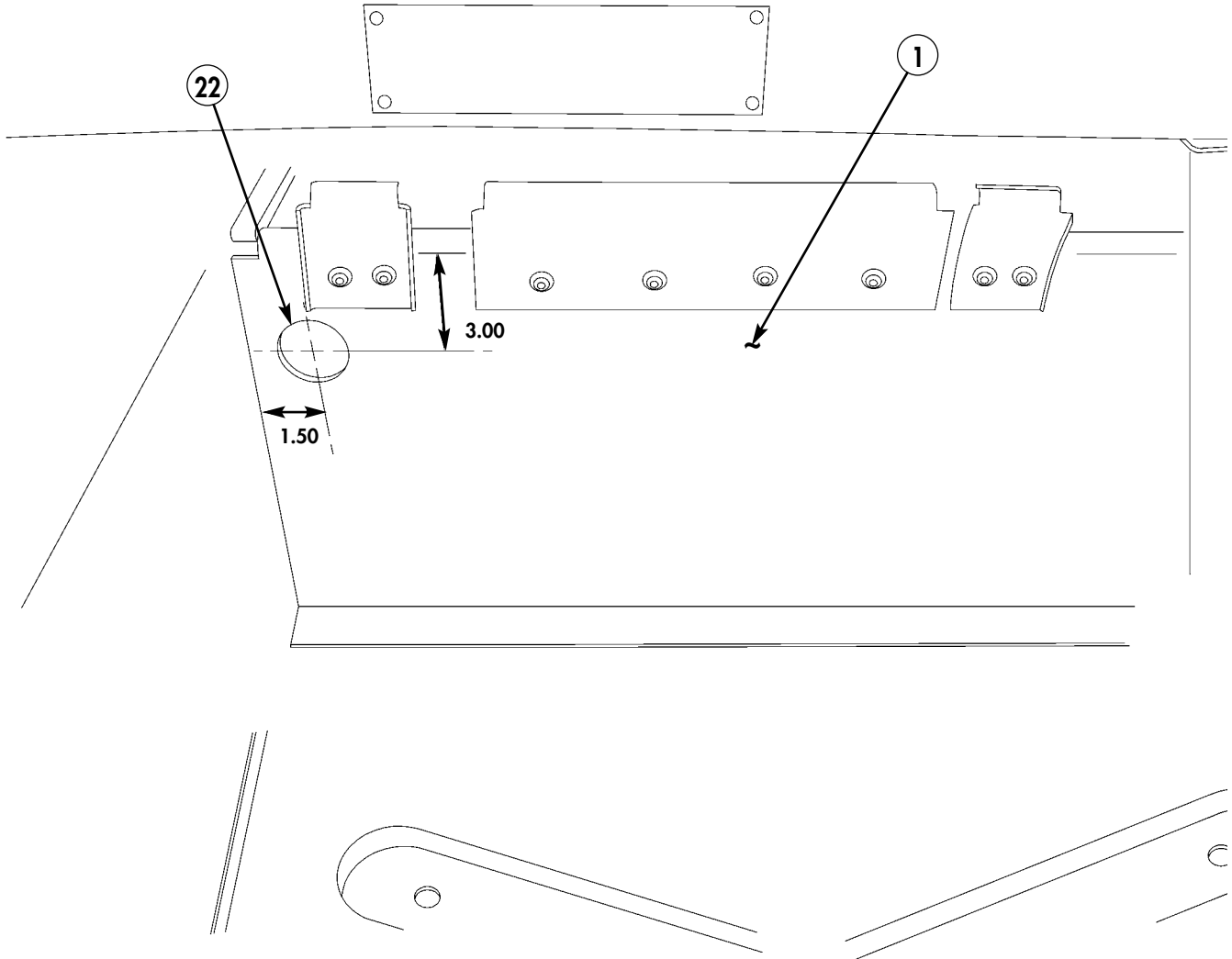
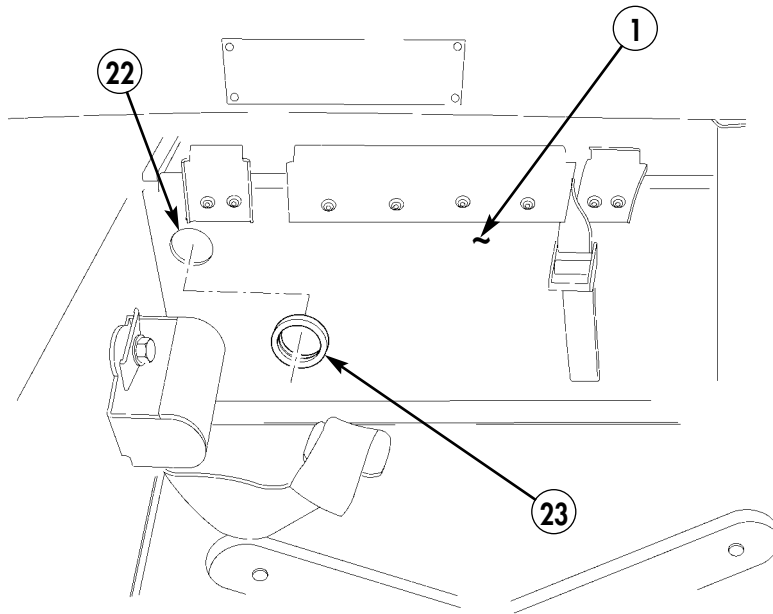


Figure 5-108.

35-13. Cut grommet material (23) to length and install in hole (22) of battery box (1).



23. GROMMET - 12341628 - QTY. A/R

Figure 5-109.

35-14. Locate, mark, and drill two 0.359-in. diameter holes (24) in bottom of battery box (1).

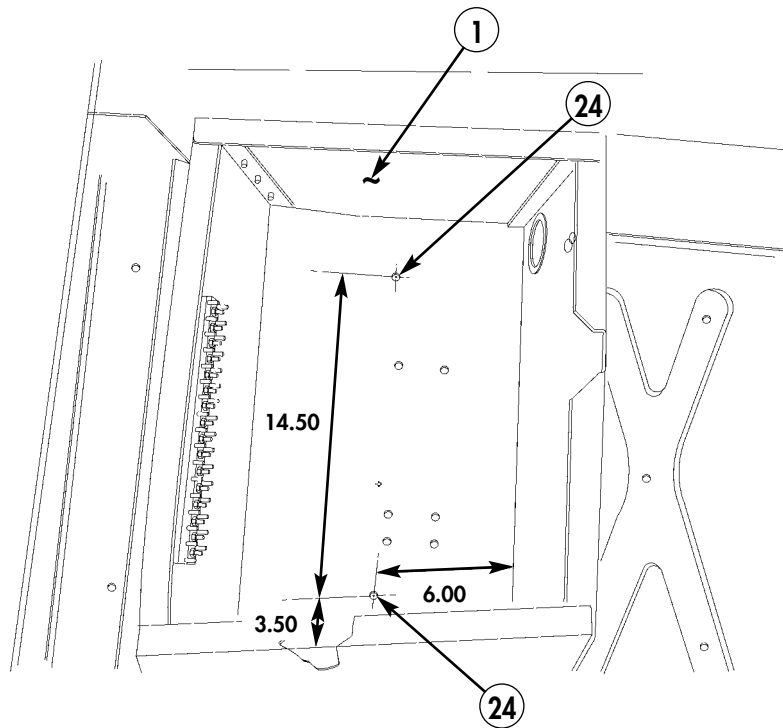


Figure 5-110.

35-15. Locate, mark, and drill nine 0.188-in. diameter holes (25) in battery box (1).

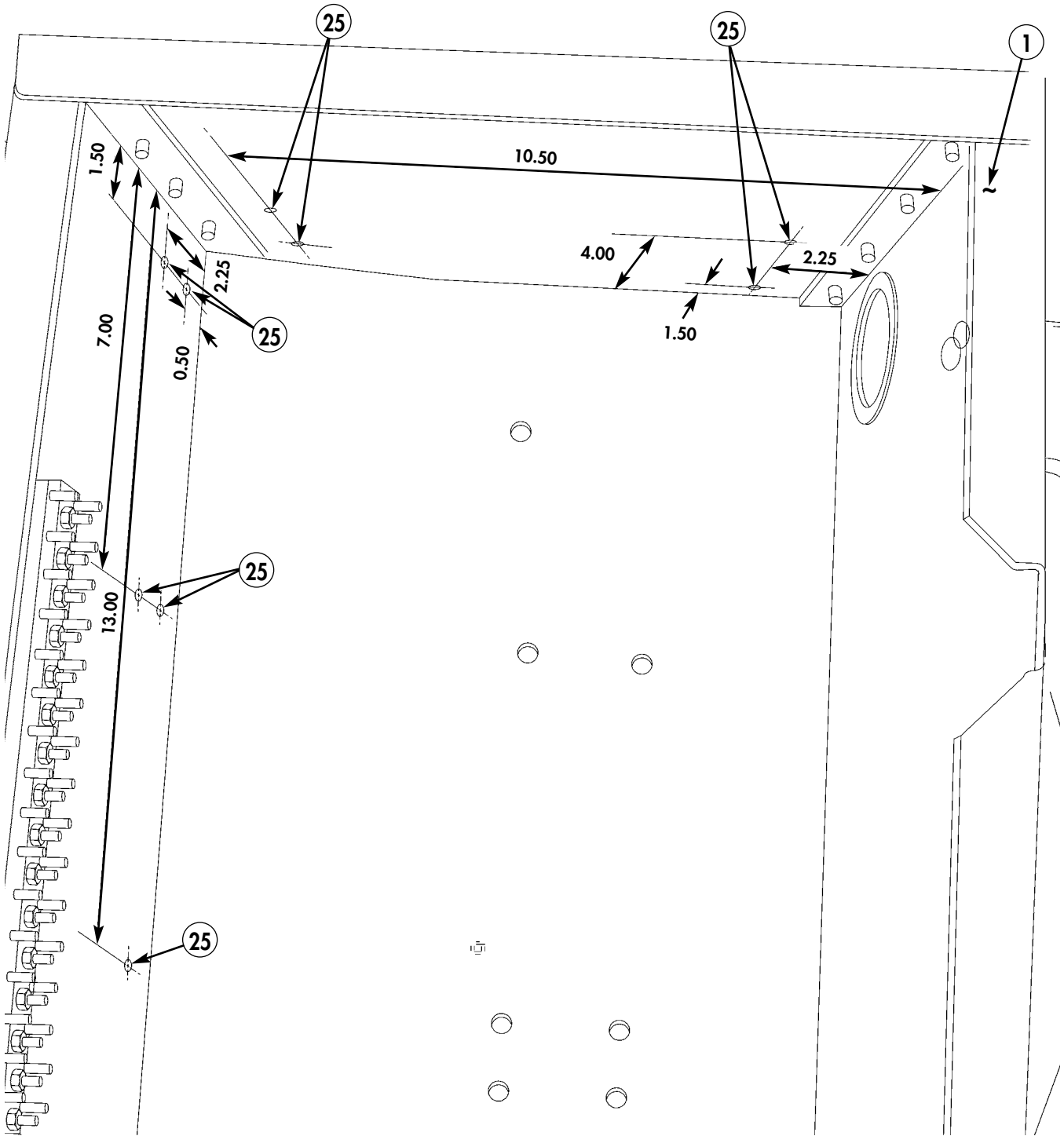
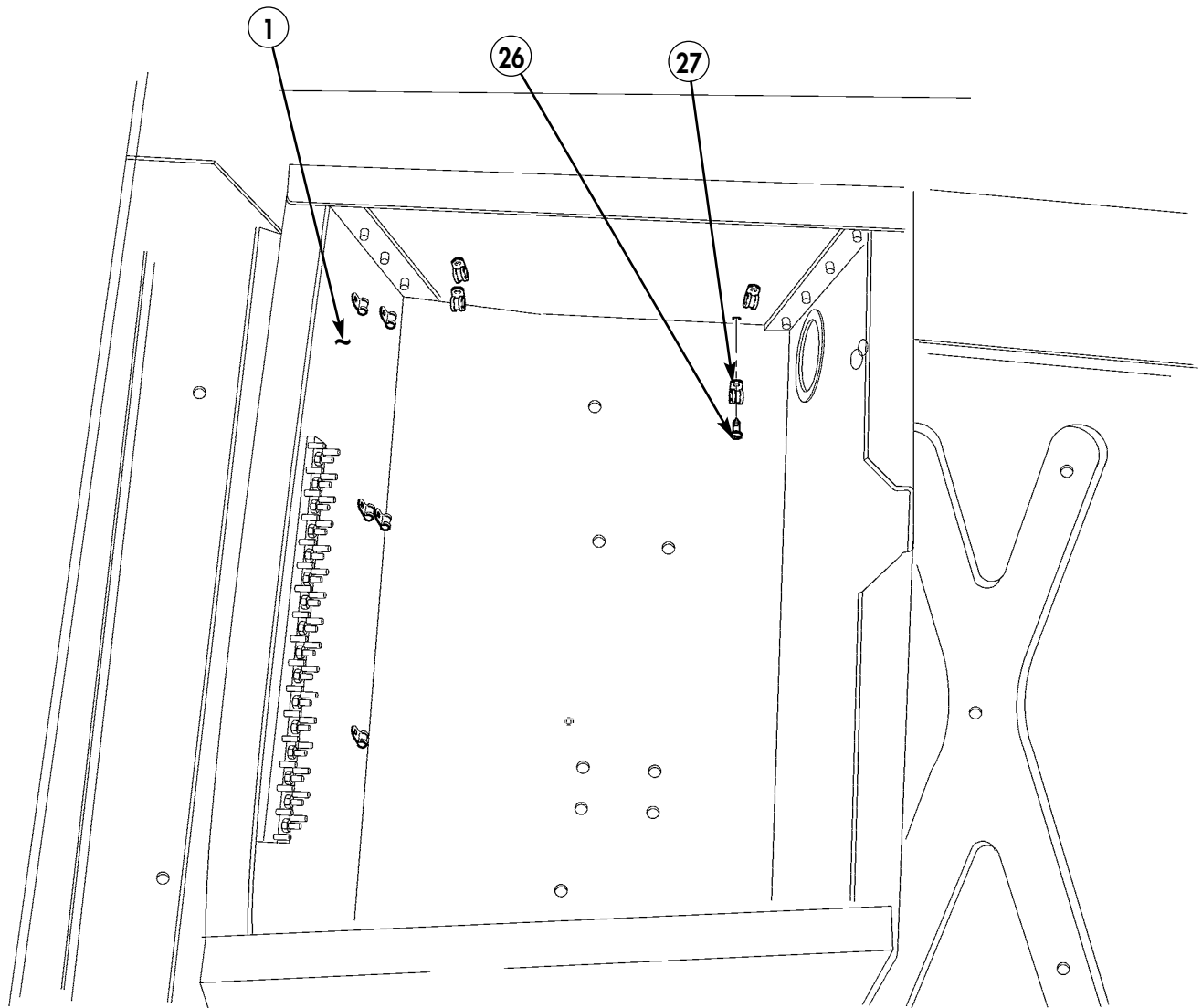


Figure 5-111.

35-16. Install nine clamps (27) in battery box (1) with self-tapping screws (26).



- 26. SELF-TAPPING SCREW - 9421073 - QTY. 9
- 27. LOOP CLAMP - MS21333-65 - QTY. 9

Figure 5-112.

35-17. Locate, mark, and drill two 0.188-in. diameter holes (29) on top of tunnel (28).

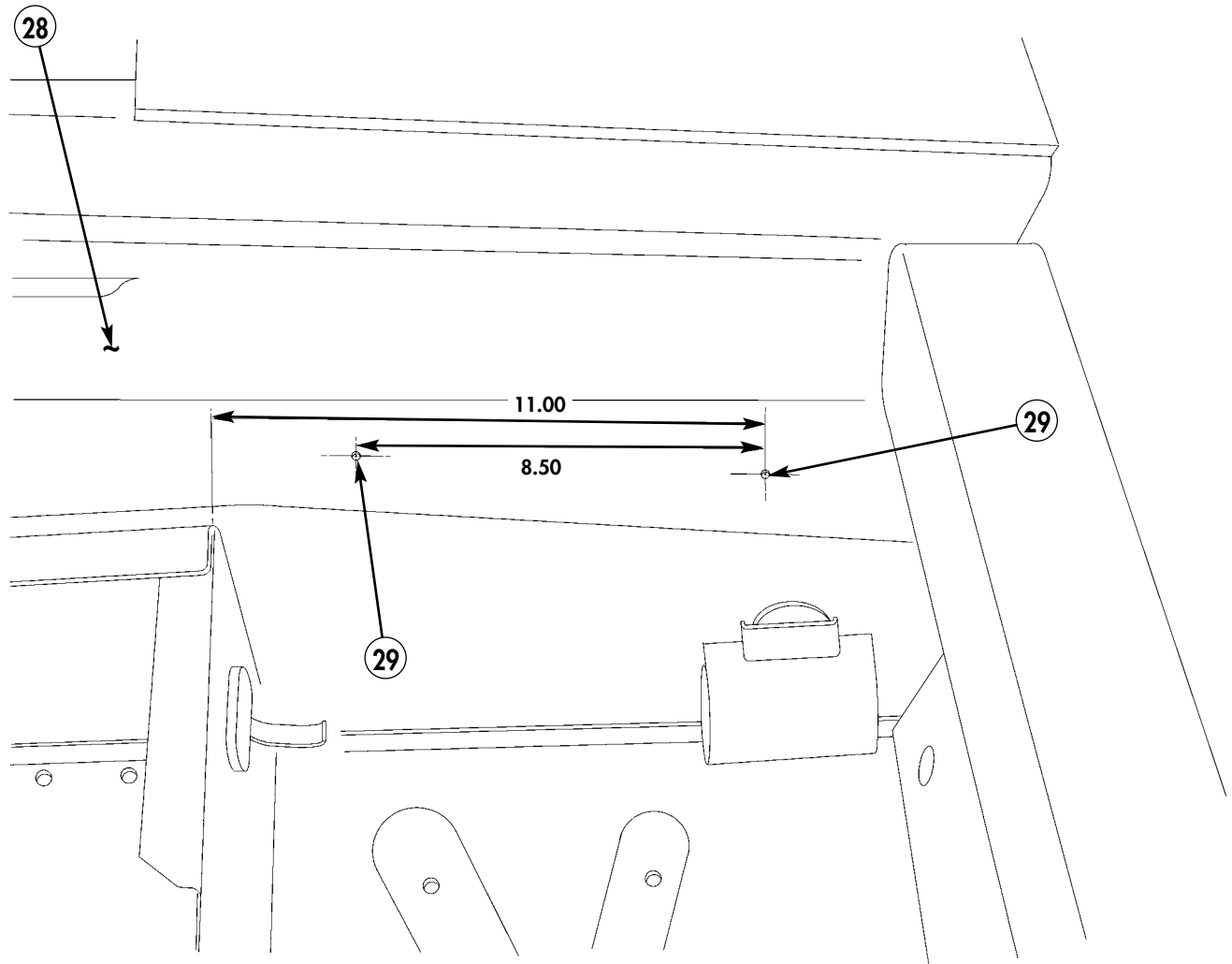


Figure 5-113.

35-18. Locate, mark, and drill two 0.188-in. diameter holes (30) in side of tunnel (28).

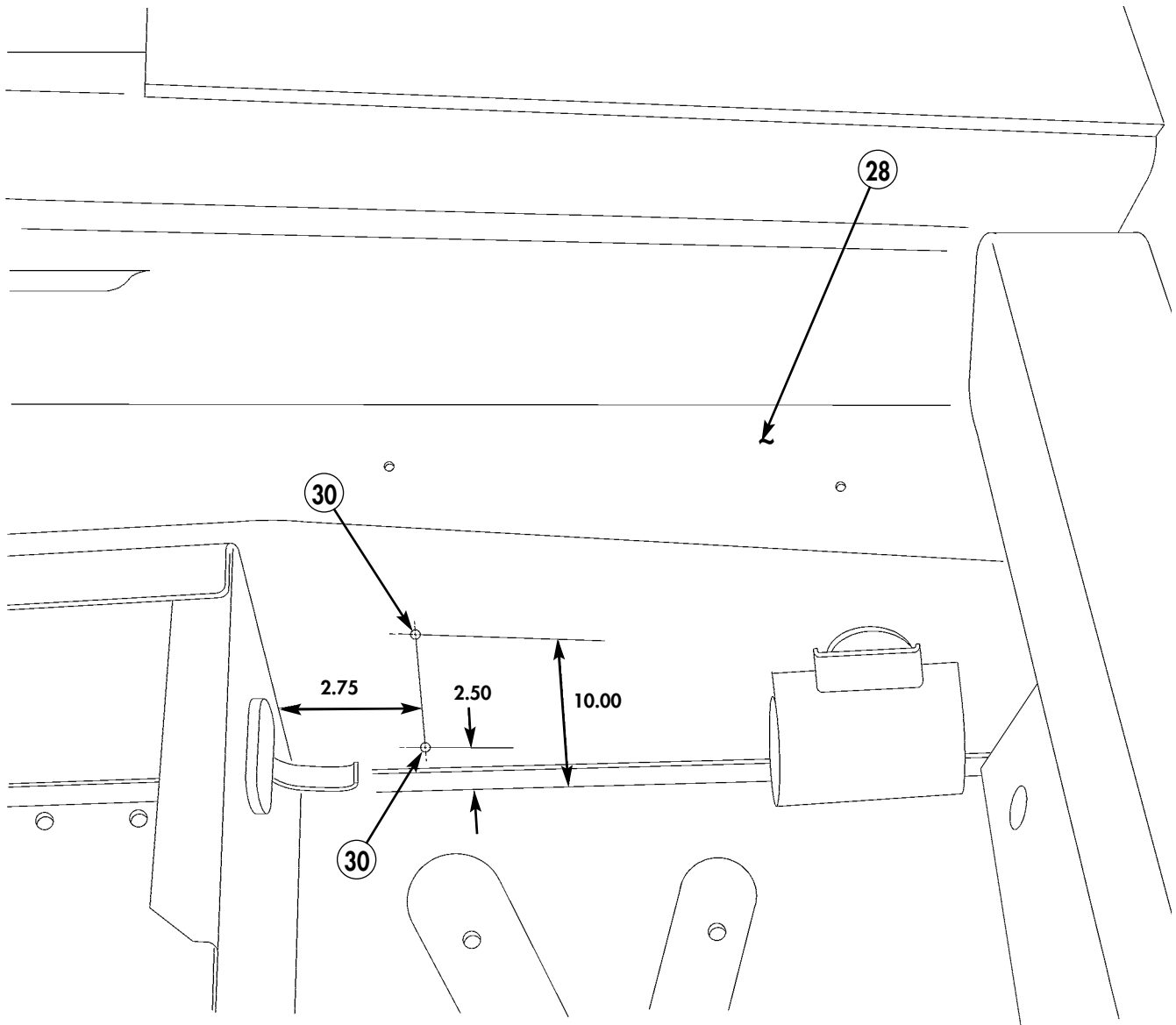
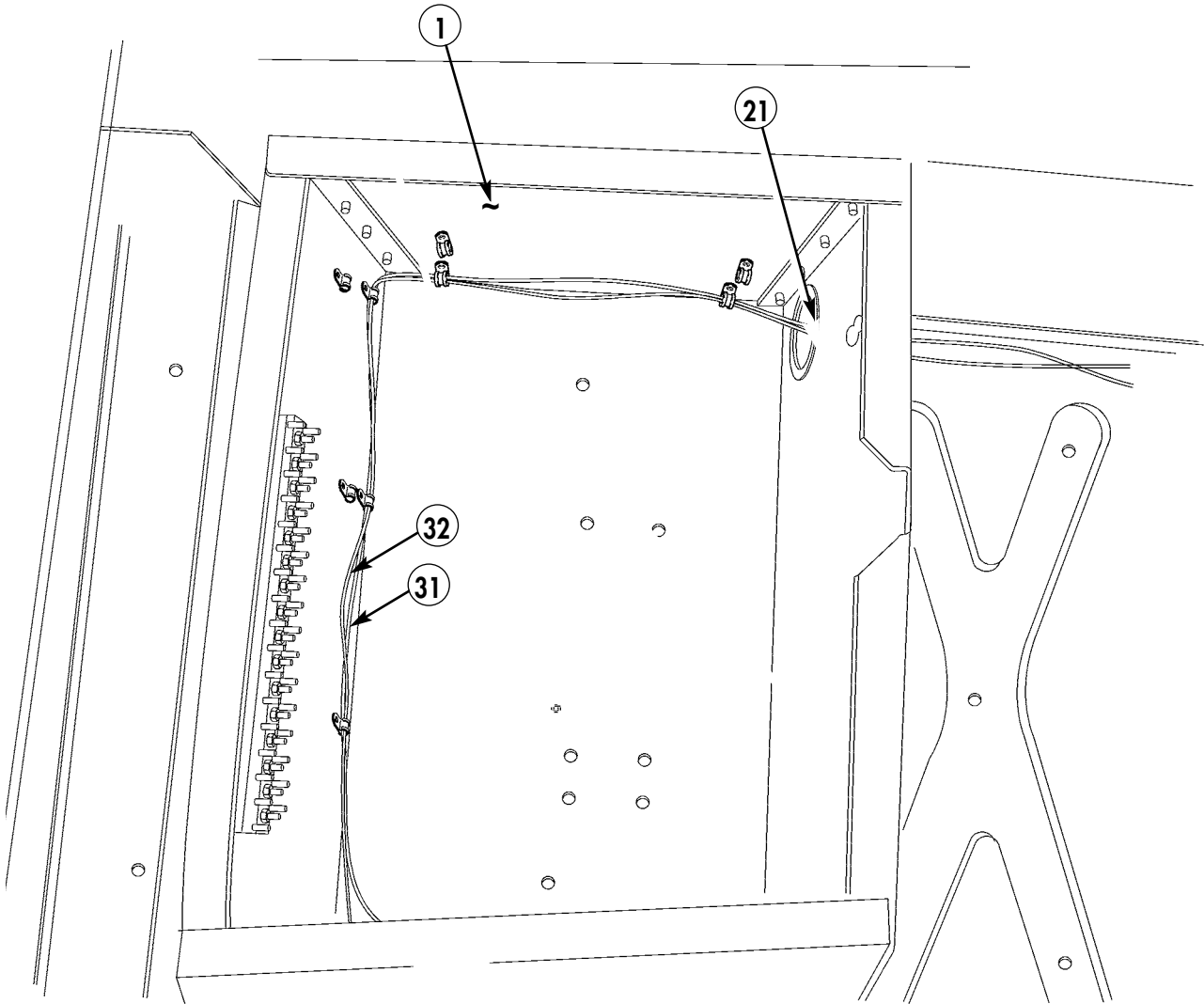


Figure 5-114.

NOTE

Do not connect cables to solenoid and shunt at this time.

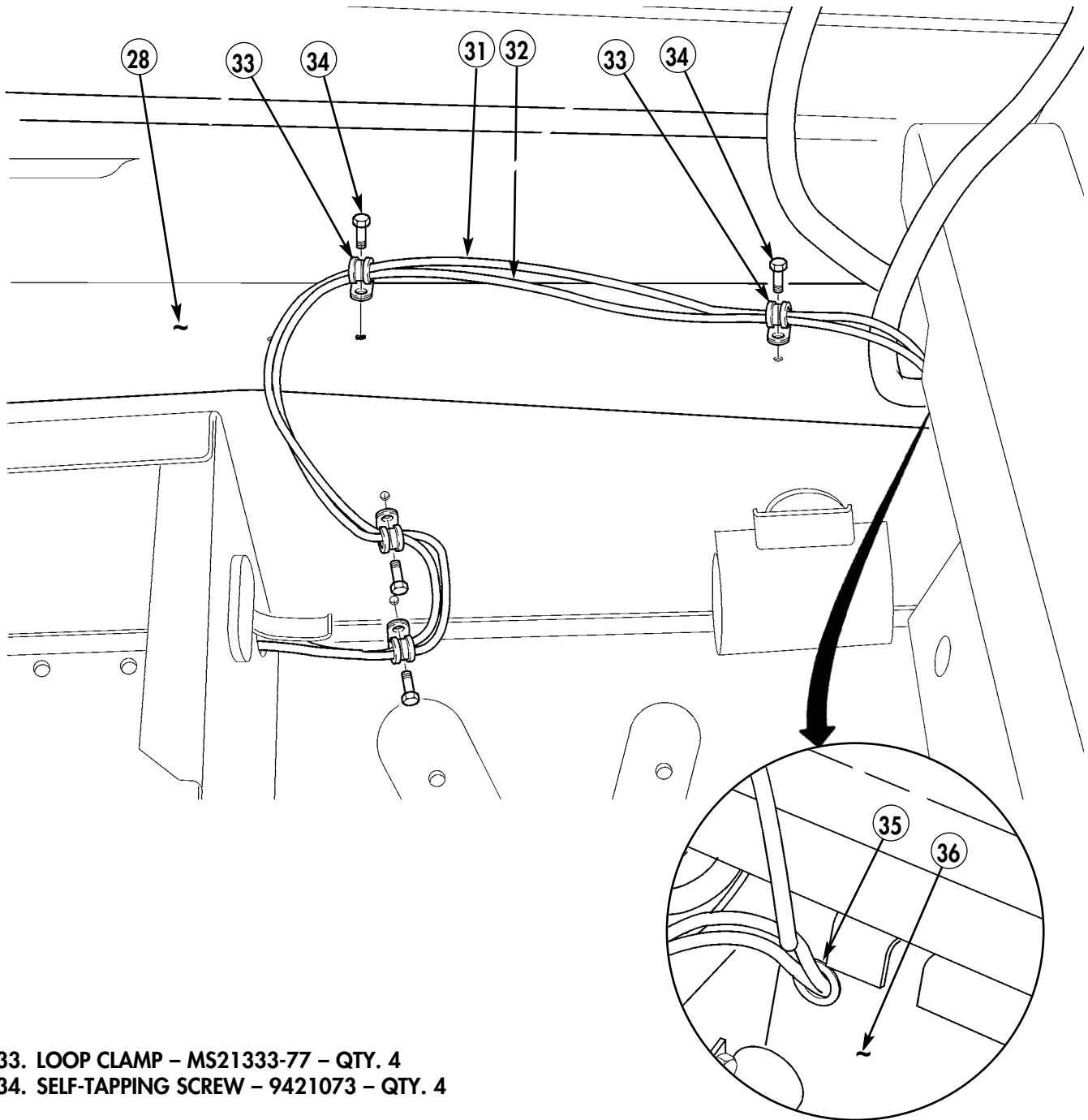
35-19. Route cables (31) and (32) from solenoid and shunt through battery box (1) and hole (21).



- 31. CABLE (BATTERY TO SOLENOID) – RCSK-19637 – QTY. 1
- 32. CABLE (BATTERY TO SHUNT) – RCSK-19638 – QTY. 1

Figure 5-115.

35-20. Route cables (31) and (32) along tunnel (28), through hole (35) in front battery box (36), and secure with clamps (33) and self-tapping screws (34).

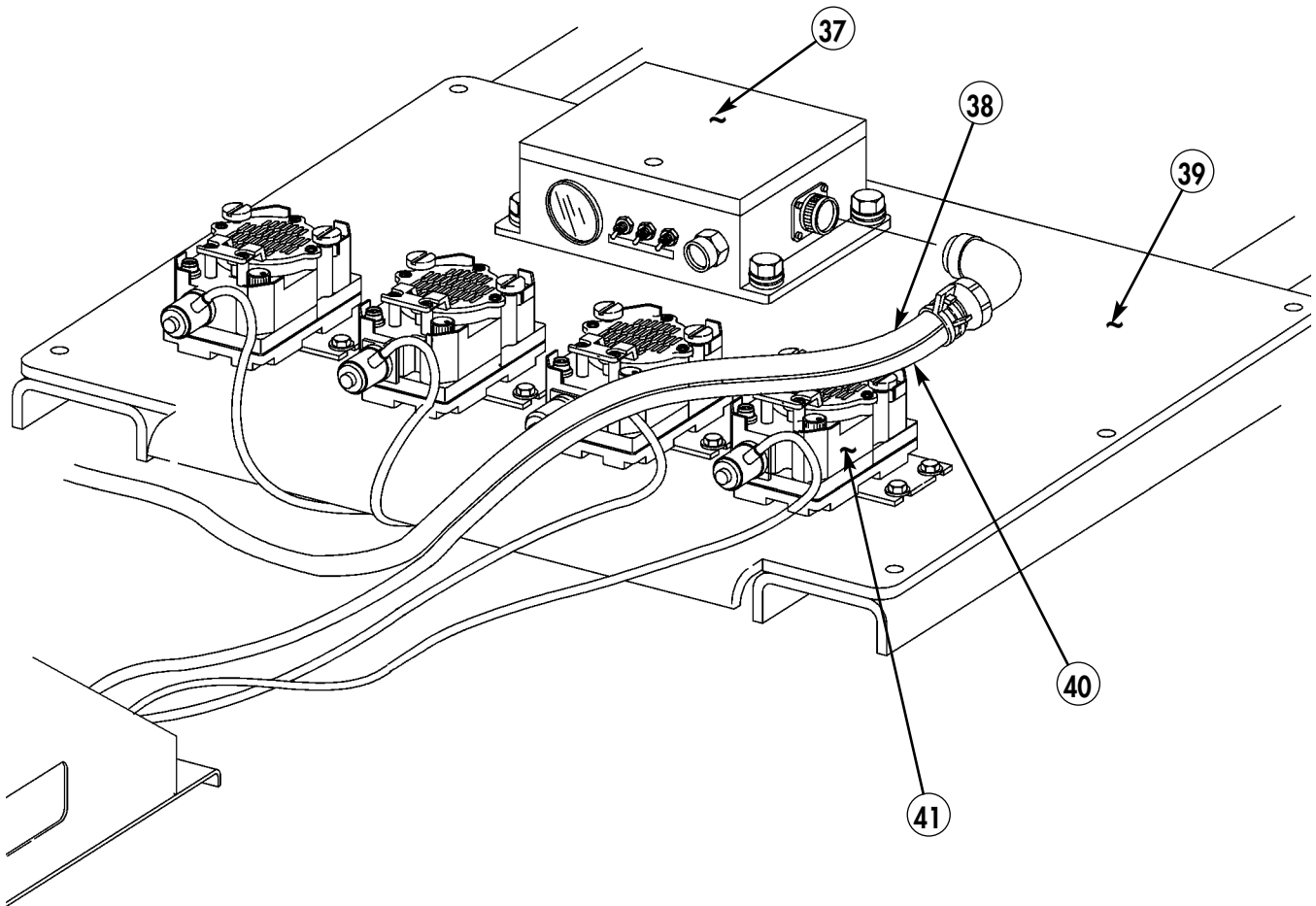


- 33. LOOP CLAMP – MS21333-77 – QTY. 4**
- 34. SELF-TAPPING SCREW – 9421073 – QTY. 4**

Figure 5-116.

35-21. Connect control cables (38) and (40) to charge control box (37).

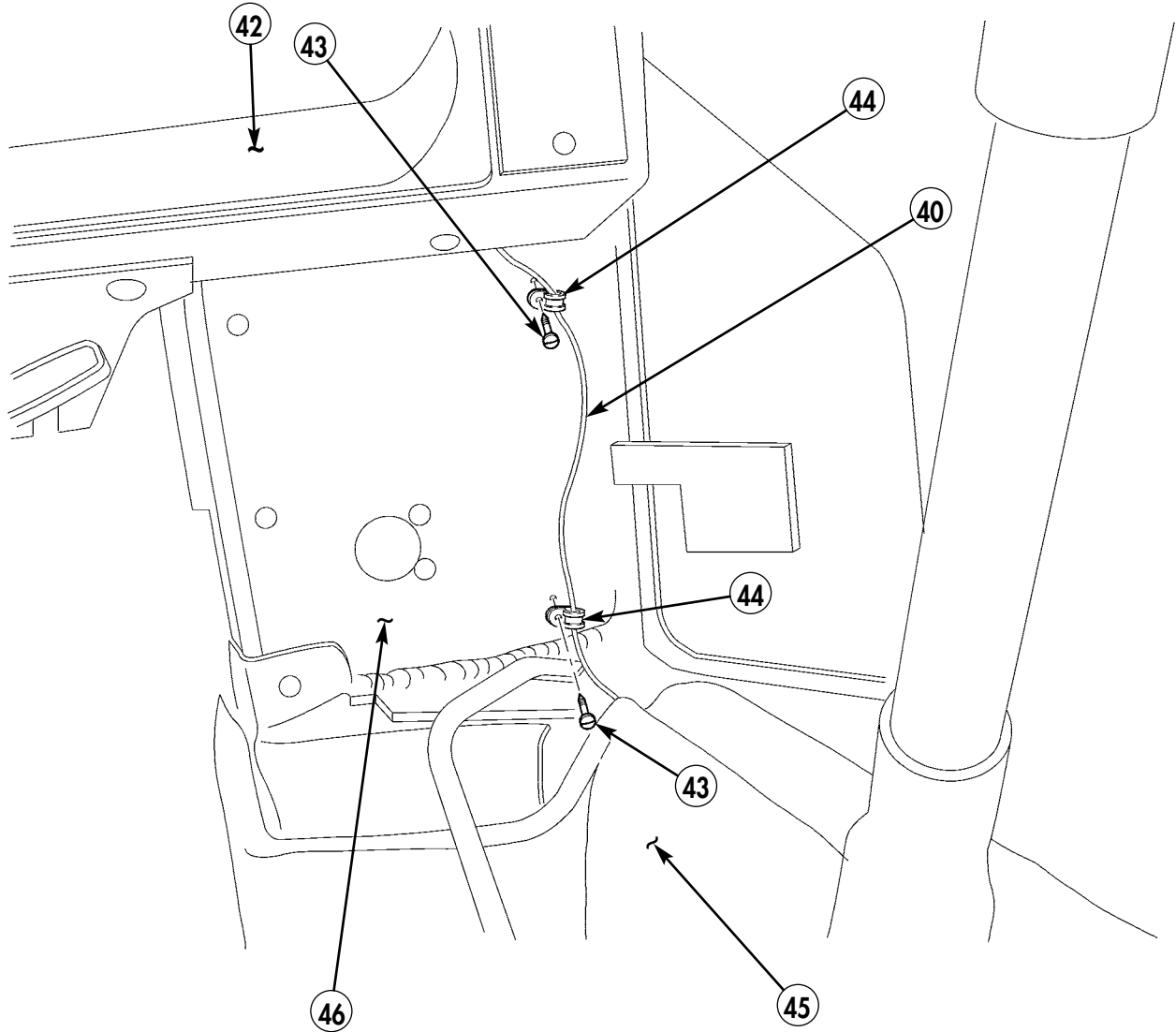
35-22. Route small control cable (40) between speakers (41) on lower shelf of multi-net rack (39).



40. CONTROL CABLE (SMALL) – PKMM-0004 – QTY. 1

Figure 5-117.

- 35-23. Route small control cable (40) from left-side insulation (45) up firewall (46).
- 35-24. Secure small control cable (40) with two clamps (44) and self-tapping screws (43).
- 35-25. Route small control cable (40) under dash panel (42).



- 43. SELF-TAPPING SCREW - 9421073 - QTY. 2
- 44. LOOP CLAMP - MS21333-71 - QTY. 2

Figure 5-118.

- 35-26. Disconnect light switch (48) from harness (49).
- 35-27. Remove four bolts (47) and light switch (49) from dash panel (42).

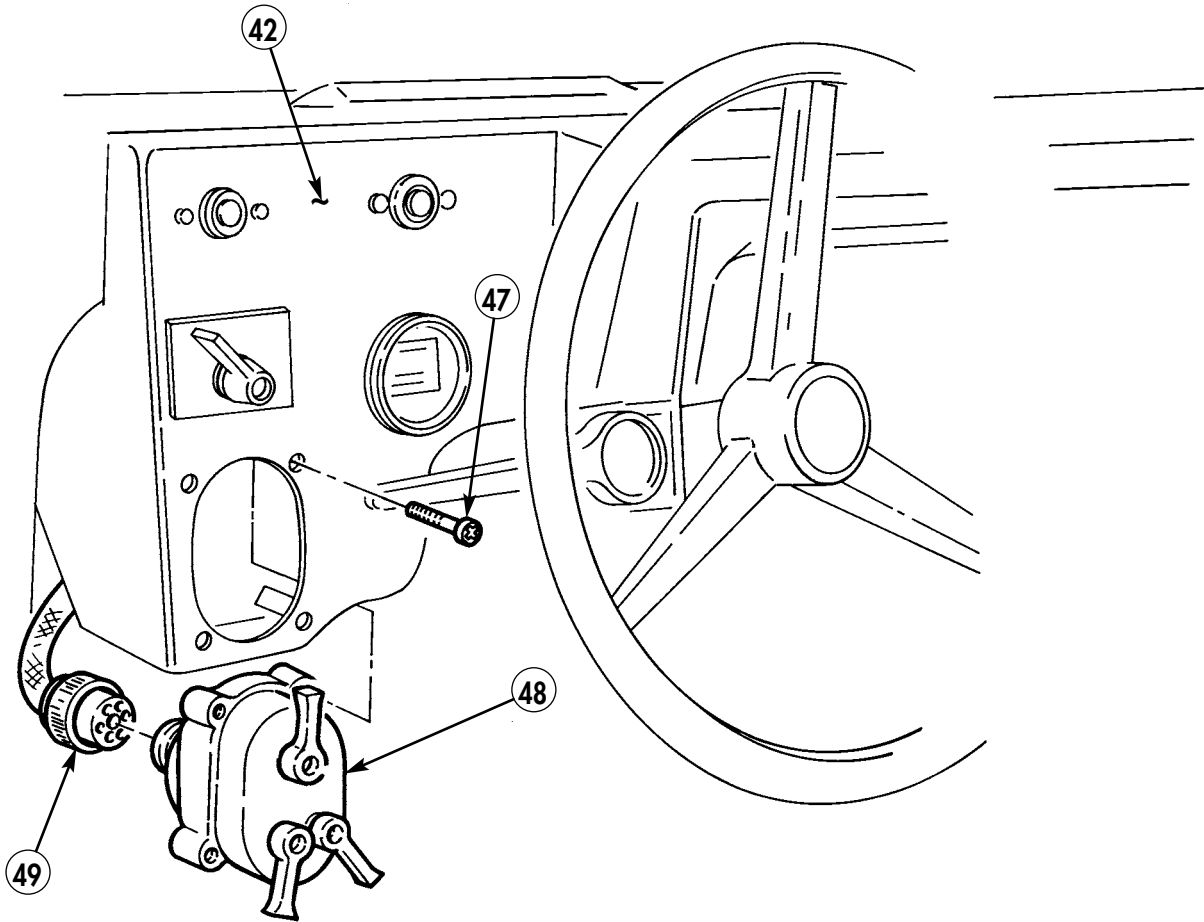


Figure 5-119.

- 35-28. Strip wire insulation from wire 29A (50).
- 35-29. Splice small control cable (40) with wire 29A (50).
- 35-30. Cover splice with electrical tape (51).

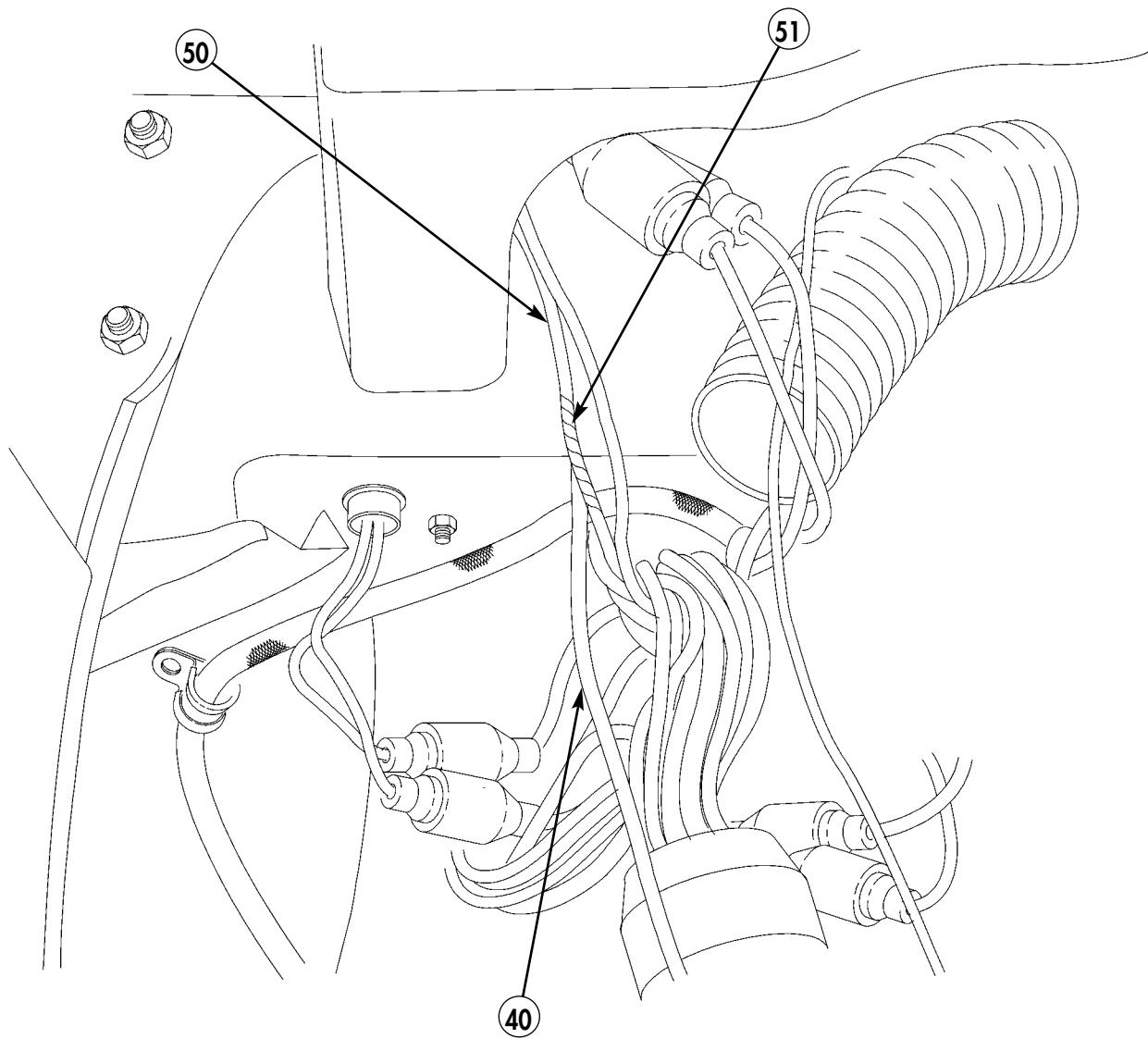


Figure 5-120.

35-31. Connect light switch (48) to harness (49).

35-32. Install light switch (47) in dash panel (42) with four bolts (47).

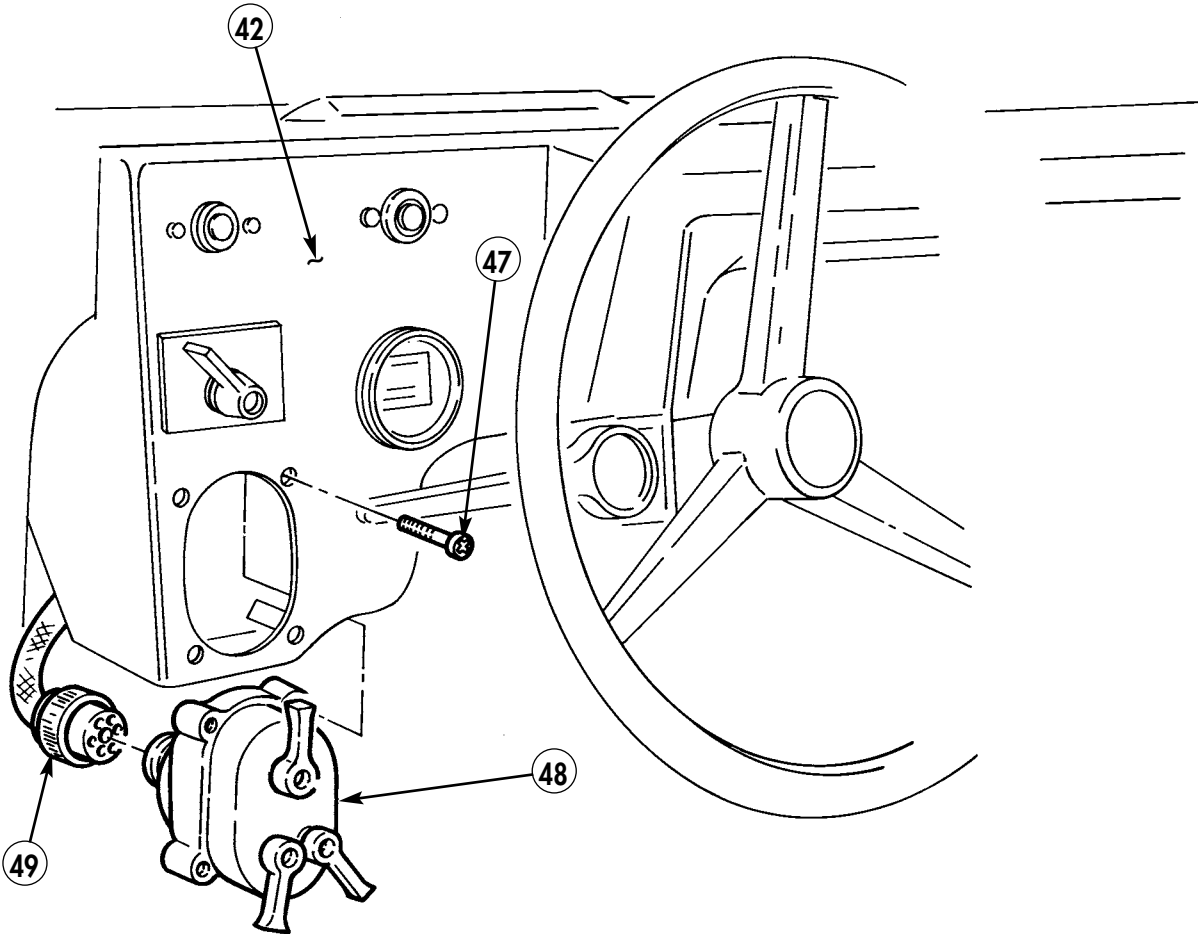
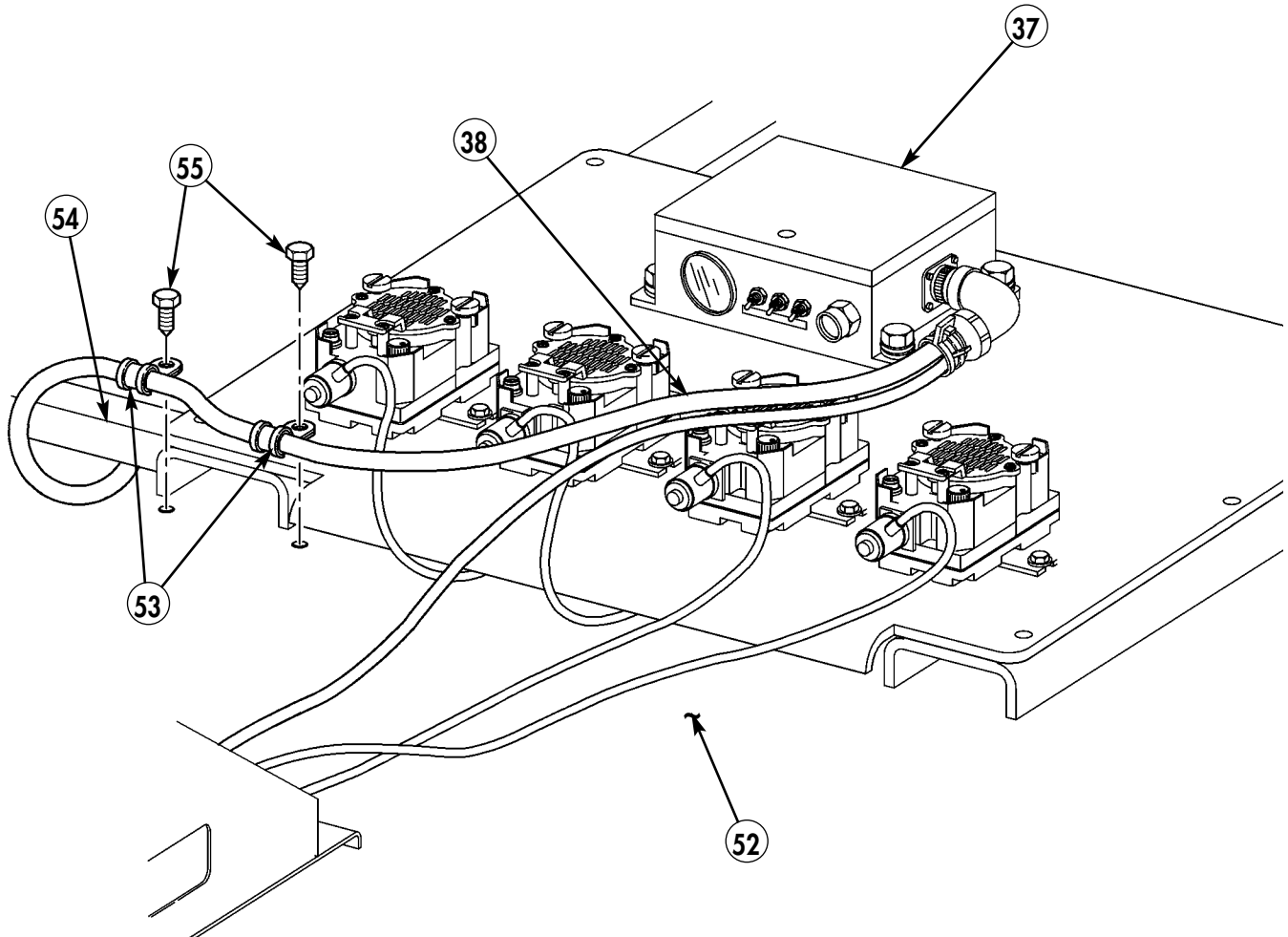


Figure 5-121.

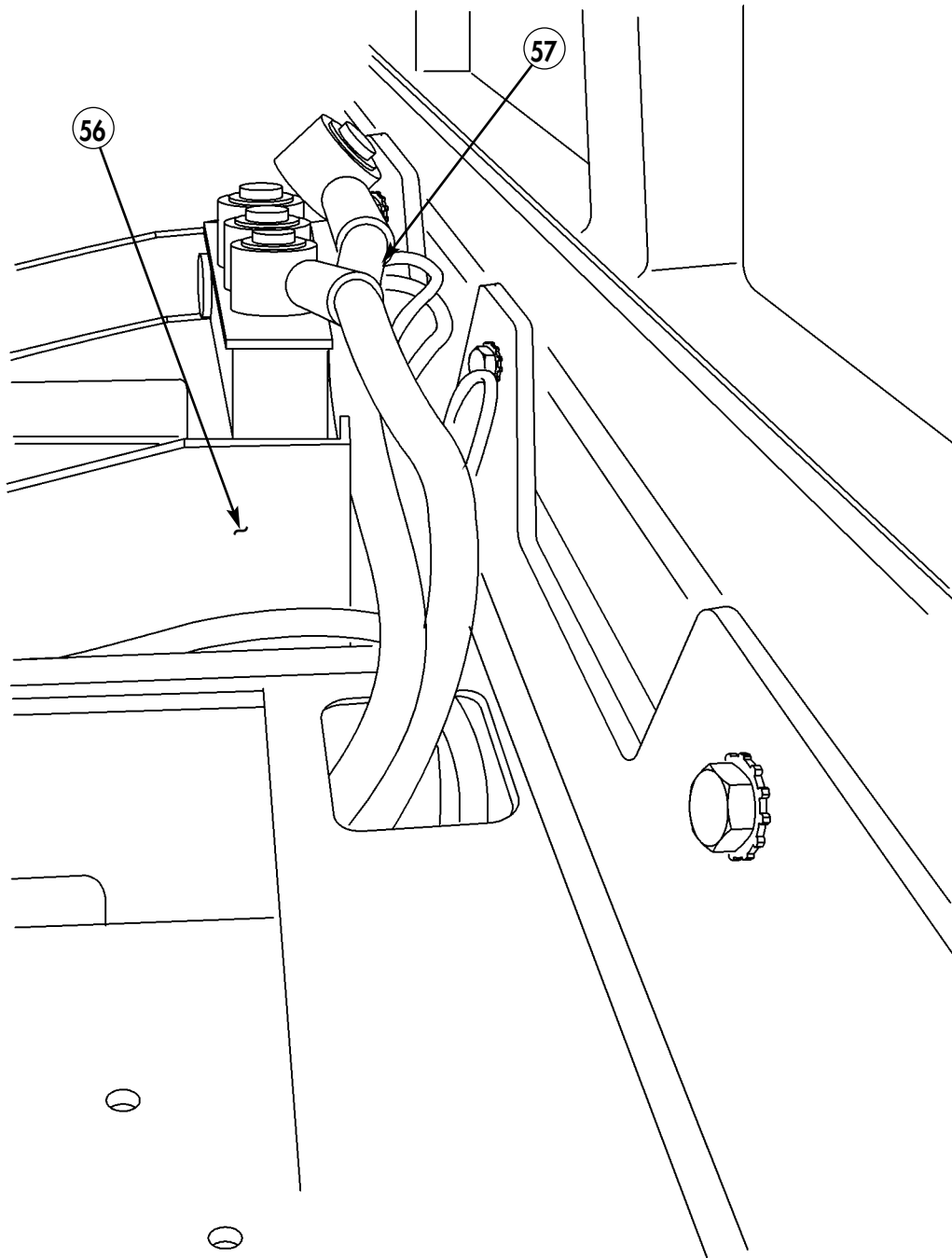
- 35-33. Route large control cable (38) from charge control box (37), along cargo floor (52), and under B-beam (54).
- 35-34. Secure large control cable (38) to cargo floor (52) with four clamps (53) and screws (55).



38. CONTROL CABLE (LARGE) - PKMM-0004 - QTY. 1

Figure 5-122.

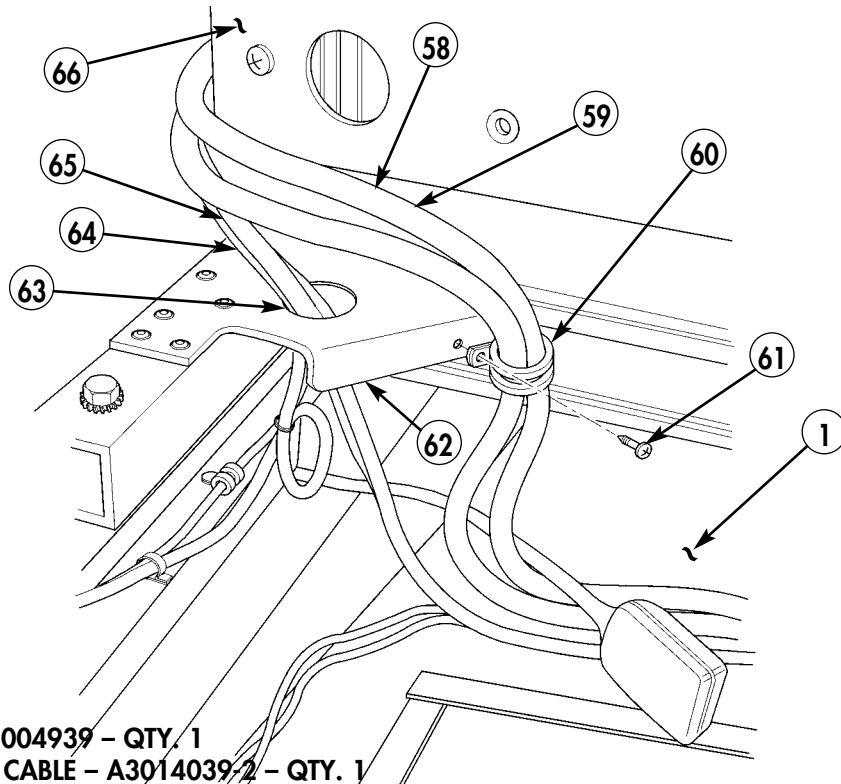
35-35. Route SINCGARS power cable (57) to MT-6353/VRC mounting base (56).



57. SINCGARS POWER CABLE – A3014039-7 – QTY. 1

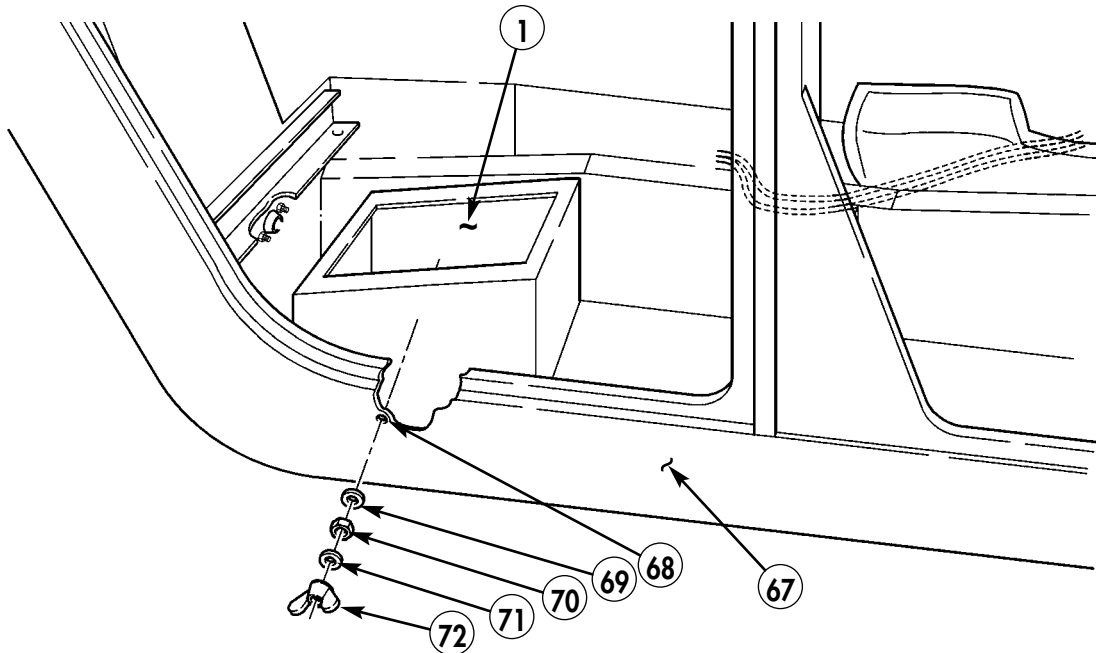
Figure 5-123.

- 35-36. Route NTDR power cable (64) and lower SINCGARS power cable (65) from battery box (1) through hole (63) in frame (62).
- 35-37. Route EPLRS power cable (58) and upper SINCGARS power cable (59) over frame and behind multi-net rack (66). Secure cables (58) and (59) with loop clamp (60) and self-tapping screw (61).
- 35-38. Locate, mark, and drill one 0.390-in. diameter hole (68) in body (67) of vehicle and battery box (1).
- 35-39. Install shunt ground cable (80) on body (67) with screw (79), lockwasher (69), nut (70), washer (71), and wingnut (72).
- 35-40. Route ground cable (80) to shunt (11).
- 35-41. Route cable (78) from shunt (11) to rear battery. Secure cables (78) and (80) with screw (79).
- 35-42. Route cable (81) from shunt (11) to terminal block. Secure cables (81) and (32) to shunt (11) with screw (82).
- 35-43. Route cable (83) from solenoid (19) to negative terminal.
- 35-44. Route cable (77) from solenoid (19) to rear battery. Secure cables (77) and (83) to solenoid (19) with nut (76).
- 35-45. Secure cable (31) to solenoid (19) with washer (73) and nut (74).
- 35-46. Route cable (84) from solenoid (19) to negative terminal.
- 35-47. Secure cable (84) to solenoid (19) with nut (75).



- 58. EPLRS POWER CABLE - A3004939 - QTY. 1
- 59. UPPER SINCGARS POWER CABLE - A3014039-2 - QTY. 1
- 60. LOOP CLAMP - MS21333-75 - QTY. 1
- 61. SELF-TAPPING SCREW - 9421073 - QTY. 1
- 64. POWER CABLE (NTDR) - 8174912-2 - QTY. 1
- 65. LOWER SINCGARS POWER CABLE - A3014039-2 - QTY. 1

Figure 5-124.



- 69. LOCKWASHER - MS35338-46 - QTY. 1
- 70. NUT - MS51967-9 - QTY. 1
- 71. WASHER - 11500256 - QTY. 1
- 72. WINGNUT - MS35425-75 - QTY. 1

Figure 5-125.

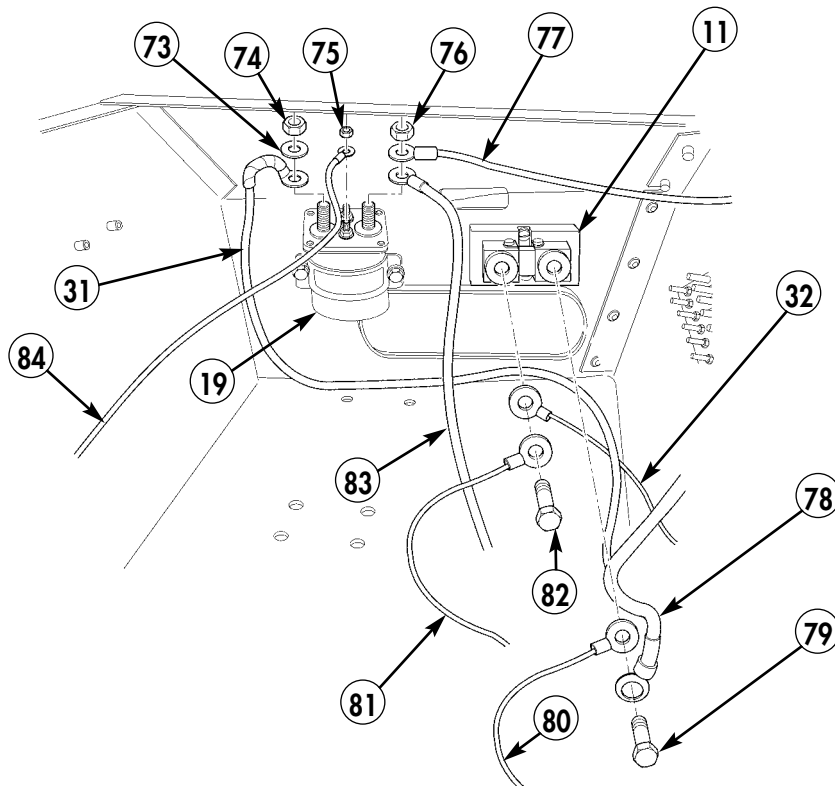
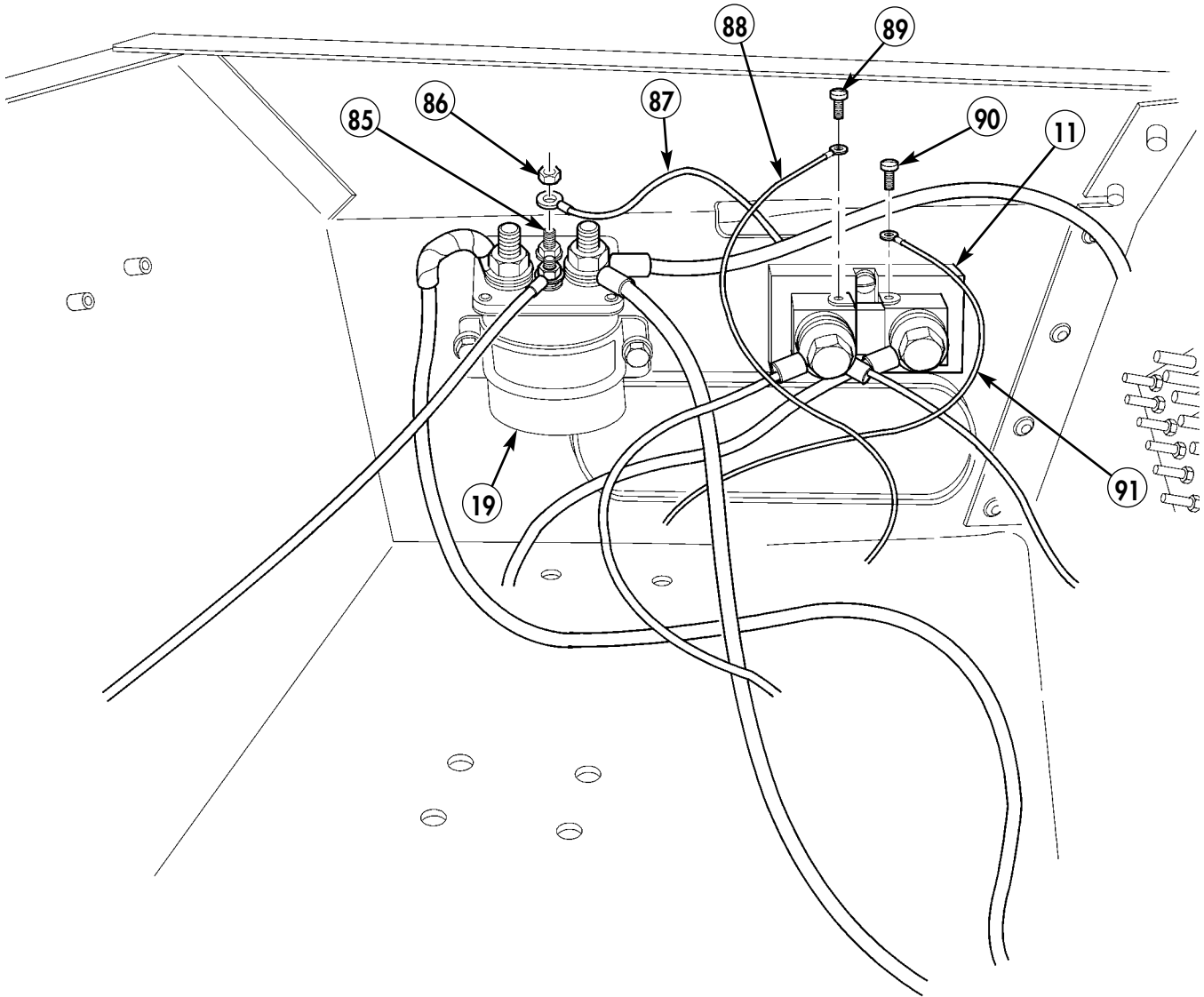


Figure 5-126.

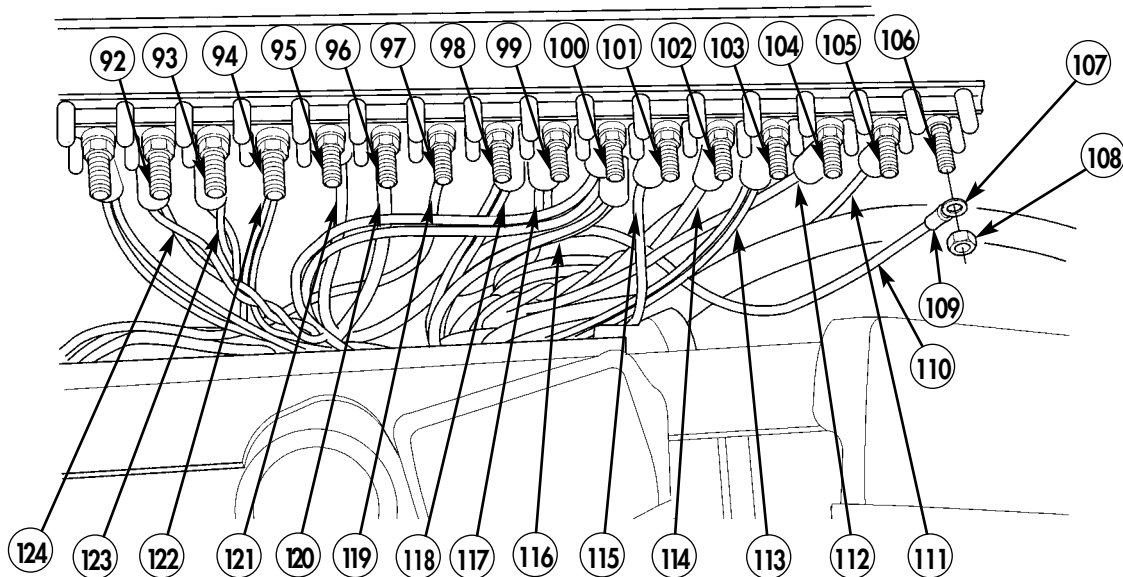
- 35-48. Route red cable (87) from stud (85) of solenoid (19) to control box. Secure cable (87) to solenoid (19) with nut (86).
- 35-49. Route green cable (88) from shunt (11) to control box. Secure green cable (88) to shunt (11) with screw (89).
- 35-50. Route orange cable (91) from shunt (11) to control box. Secure orange cable (91) to shunt (11) with screw (90).



- 87. CABLE (CONTROL BOX, RED) – N/A – QTY.1
- 88. CABLE (CONTROL BOX, GREEN) – N/A – QTY.1
- 91. CABLE (CONTROL BOX, ORANGE) – N/A – QTY.1

Figure 5-127.

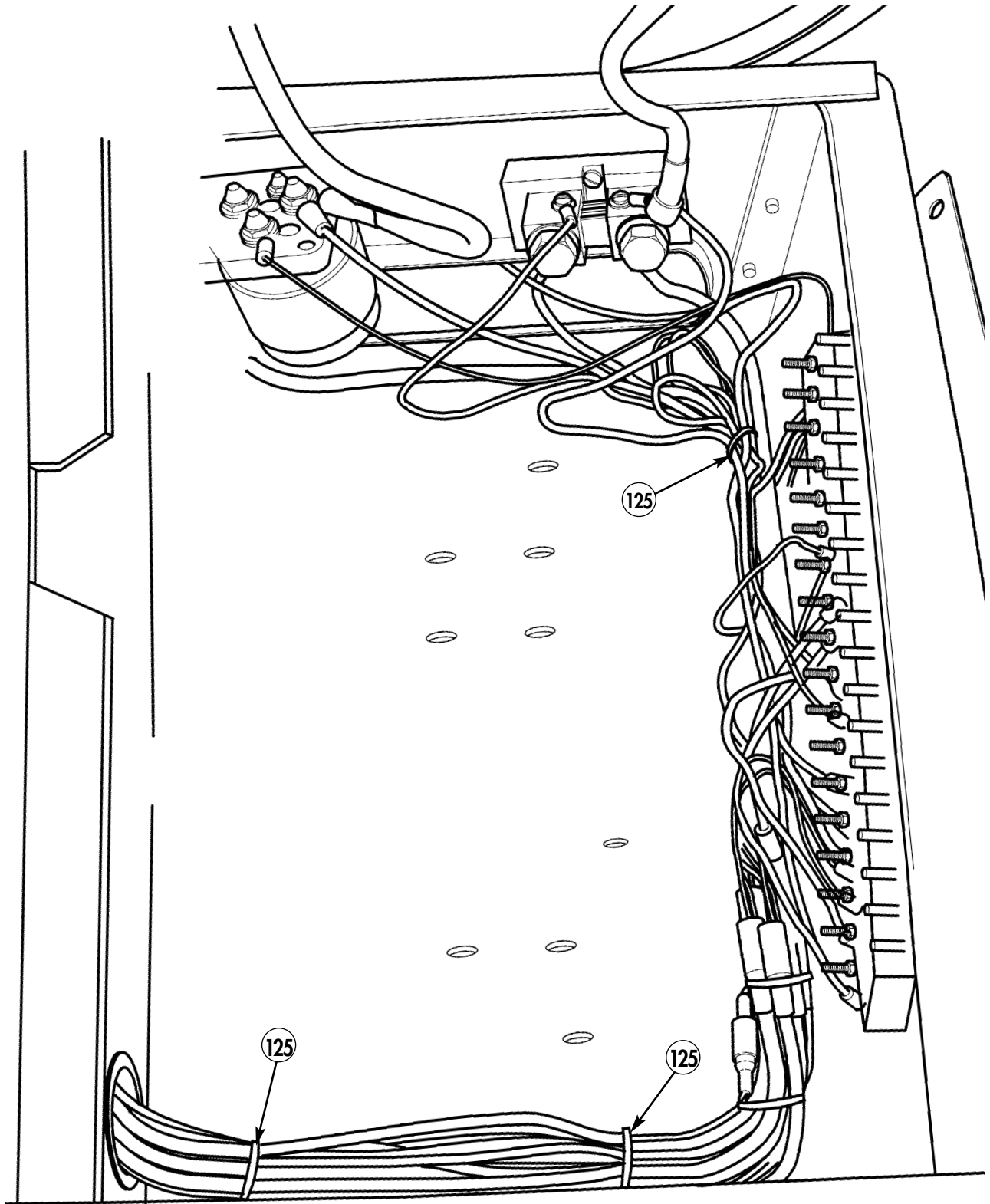
- 35-51. Attach shrink tubing (109) and terminal lug (107) to EPLRS positive power terminal (124). Secure to terminal board stud (92) with existing nut (108).
- 35-52. Attach shrink tubing (109) and terminal lug (107) to EPLRS negative power terminal (115). Secure to terminal board stud (101) with existing nut (108).
- 35-53. Attach shrink tubing (109) and terminal lug (107) to lower SINGARS positive power terminal (123). Secure to terminal board stud (93) with existing nut (108).
- 35-54. Attach shrink tubing (109) and terminal lug (107) to lower SINGARS negative power terminal (114). Secure to terminal board stud (102) with existing nut (108).
- 35-55. Attach shrink tubing (109) and terminal lug (107) to front SINGARS positive power terminal (122). Secure to terminal board stud (94) with existing nut (108).
- 35-56. Attach shrink tubing (109) and terminal lug (107) to front SINGARS negative power terminal (113). Secure to terminal board stud (103) with existing nut (108).
- 35-57. Attach shrink tubing (109) and terminal lug (107) to PLGR positive power terminal (121). Secure to terminal board stud (95) with existing nut (108).
- 35-58. Attach shrink tubing (109) and terminal lug (107) to PLGR negative power terminal (112). Secure to terminal board stud (104) with existing nut (108).
- 35-59. Attach shrink tubing (109) and terminal lug (107) to white control cable positive terminal (119). Secure to terminal board stud (97) with existing nut (108).
- 35-60. Attach shrink tubing (109) and terminal lug (107) to black control cable negative terminal (110). Secure to terminal board stud (106) with existing nut (108).
- 35-61. Attach shrink tubing (109) and terminal lug (107) to upper SINGARS positive power terminal (118). Secure to terminal board stud (98) with existing nut (108).
- 35-62. Attach shrink tubing (109) and terminal lug (107) to upper SINGARS negative power terminal (116). Secure to terminal board stud (100) with existing nut (108).
- 35-63. Attach shrink tubing (109) and terminal lug (107) to solenoid to positive power terminal (120). Secure to terminal board stud (96) with existing nut (108).
- 35-64. Attach shrink tubing (109) and terminal lug (107) to shunt to negative terminal (117). Secure to terminal board stud (99) with existing nut (108).
- 35-65. Attach shrink tubing (109) and terminal lug (107) to solenoid to negative terminal (111). Secure to terminal board stud (105) with existing nut (108).



109. SHRINK TUBING - MS23053/4-302-0 - QTY. A/R

Figure 5-128.

35-66. Bundle cables and secure with tiedown straps (125).

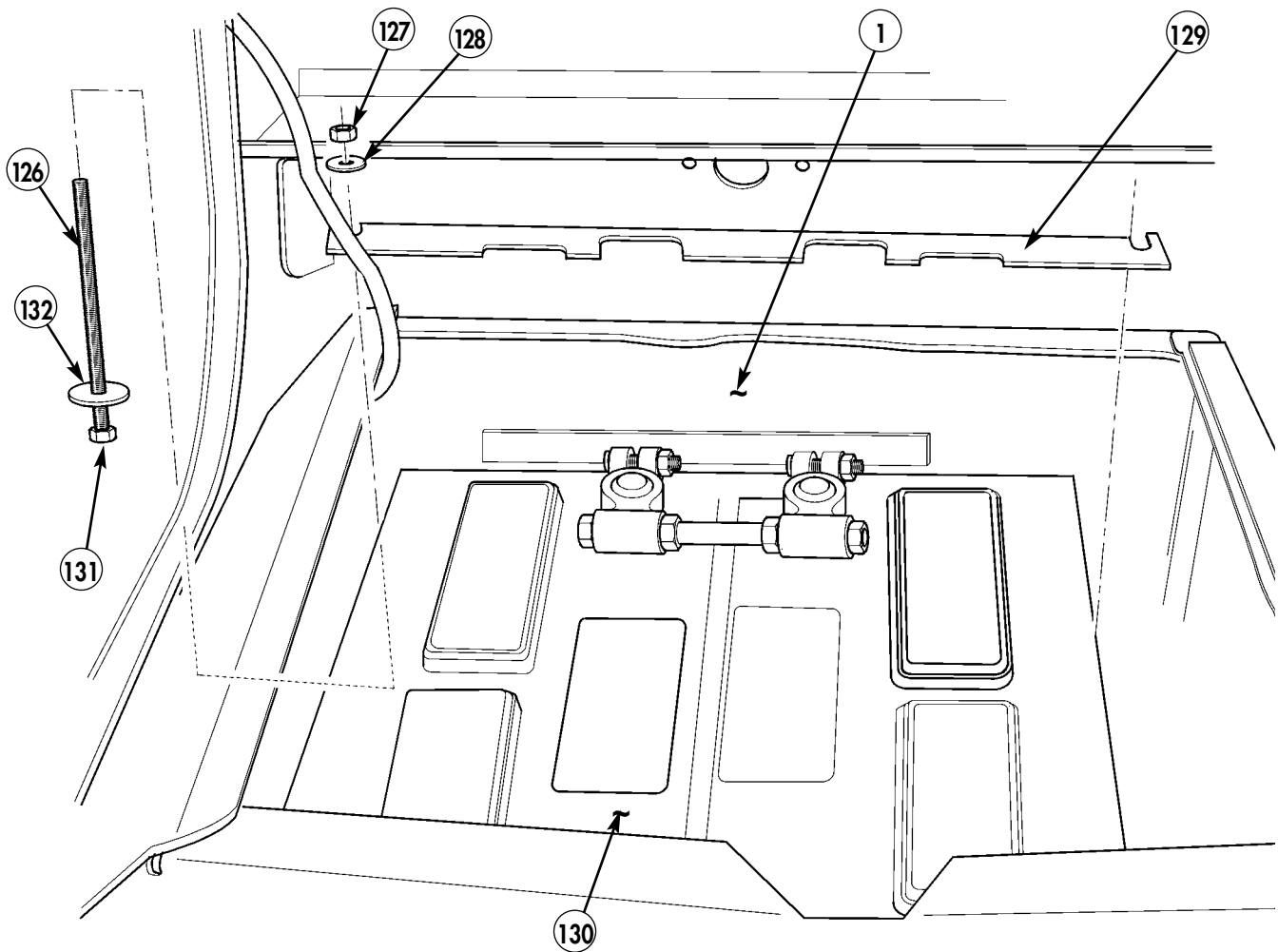


125. TIEDOWN STRAP – MS3367-1-0 – QTY. A/R

Figure 5-129.

35-67. Install batteries (130) in battery box (1).

35-68. Secure batteries with two nuts (131), screws (126), fender washers (132), steel angle (129), washers (128), and locknuts (127).



126. SCREW, ALL THREAD (5/16-18 X 10 1/4) – QTY. 2
 127. LOCKNUT (5/16-18) – (PART OF PKMM 000-016) – QTY. 2
 128. WASHER – MS27183-12 – (PART OF PKMM 000-016) – QTY. 2
 129. STEEL ANGLE (PART OF PKMM 000-016) – QTY.1
 130. DEEP CYCLE BATTERY – PKMM 000-010 – QTY. 2
 131. NUT – 0-952A59 (PART OF PKMM 000-016) – QTY. 2
 132. WASHER, FENDER (5/16) – (PART OF PKMM 000-016) – QTY. 2

Figure 5-130.

35-69. Connect battery-to-shunt cable (32) and battery-to-solenoid cable (31) to batteries (130) with existing nut (133).

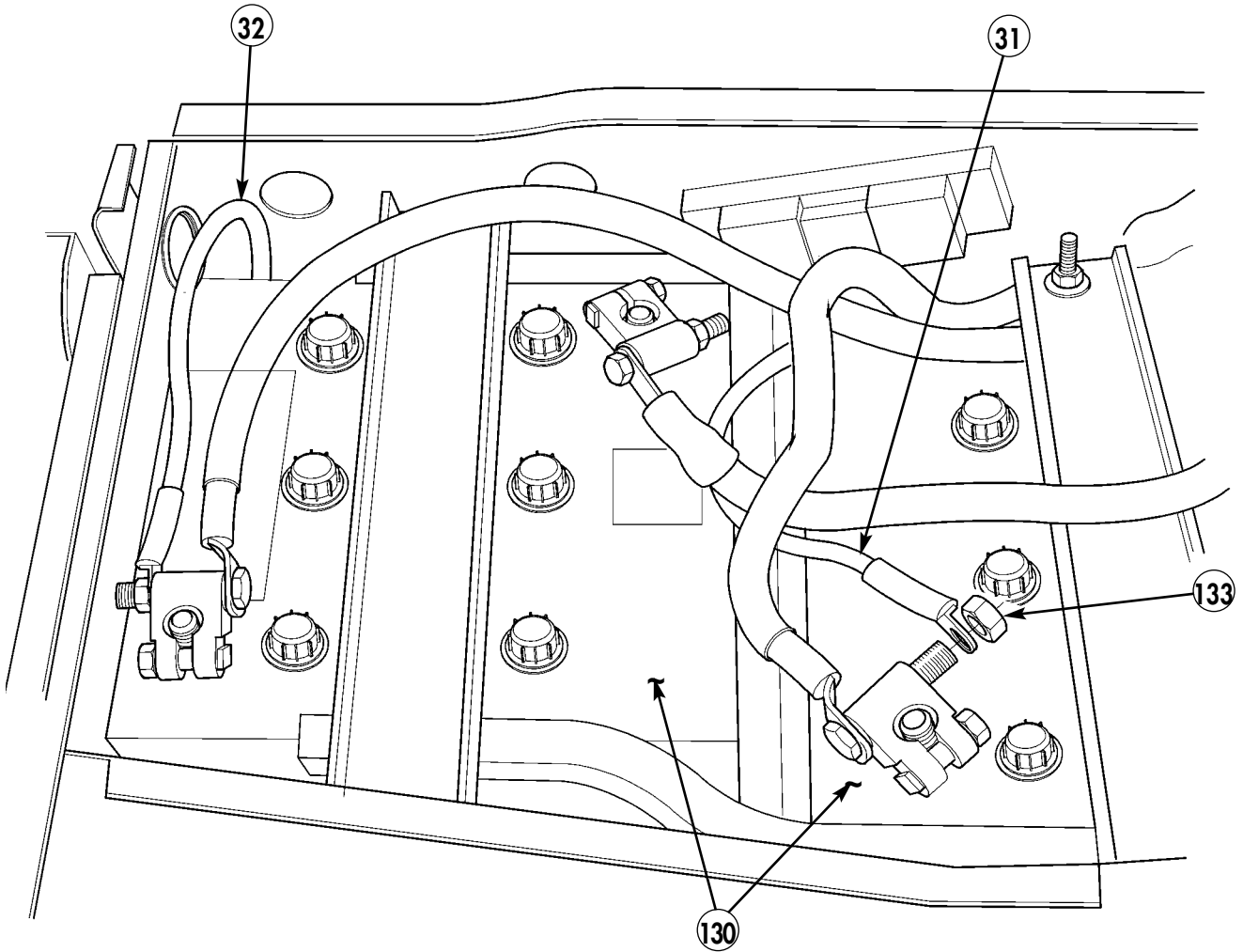
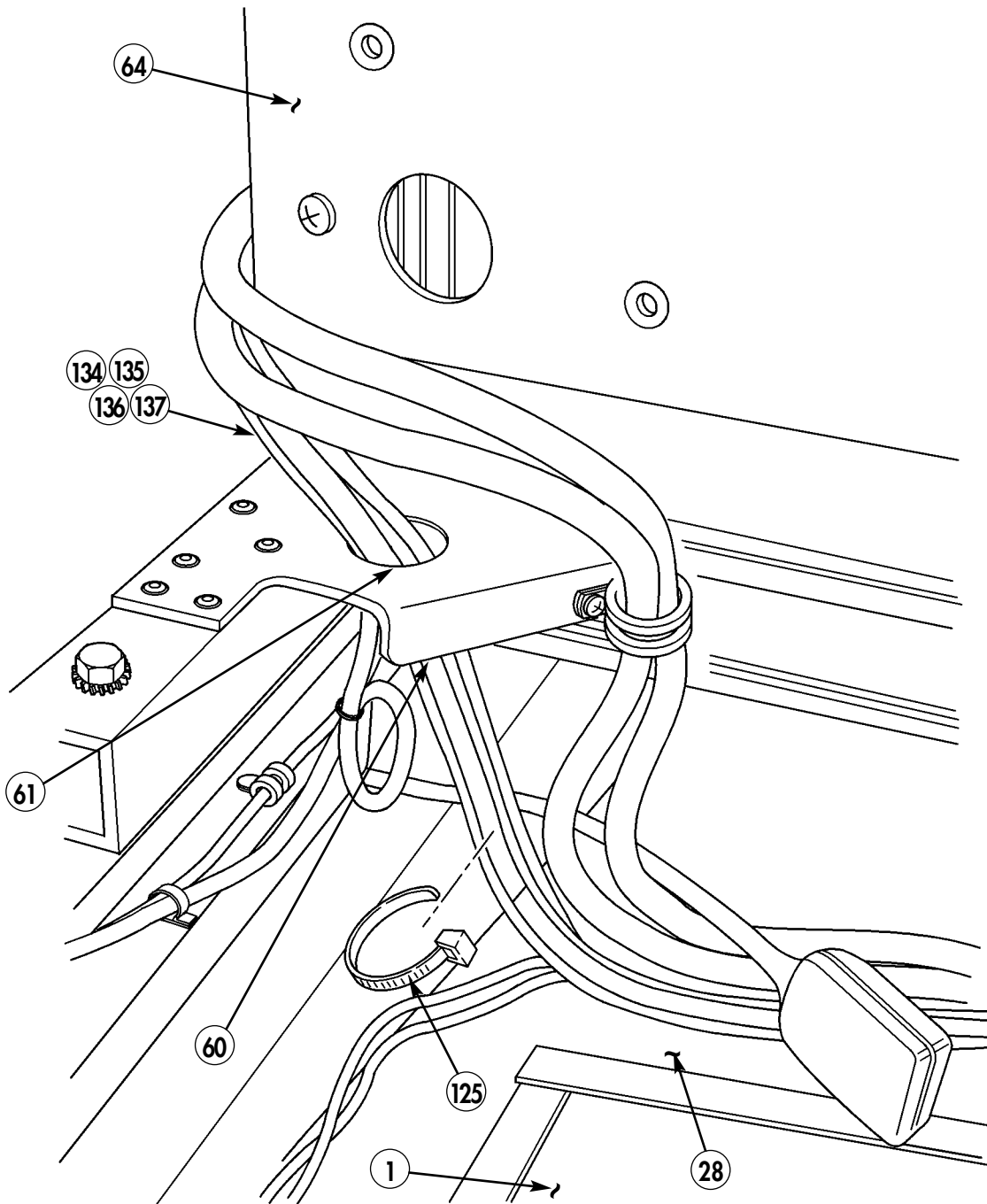


Figure 5-131.

35-70. Route four charger power cables (134), (135), (136), and (137) through hole (61) in frame (60) of multi-net rack (64), along tunnel (28), and into battery box (1). Secure cables with tiedown strap (125).



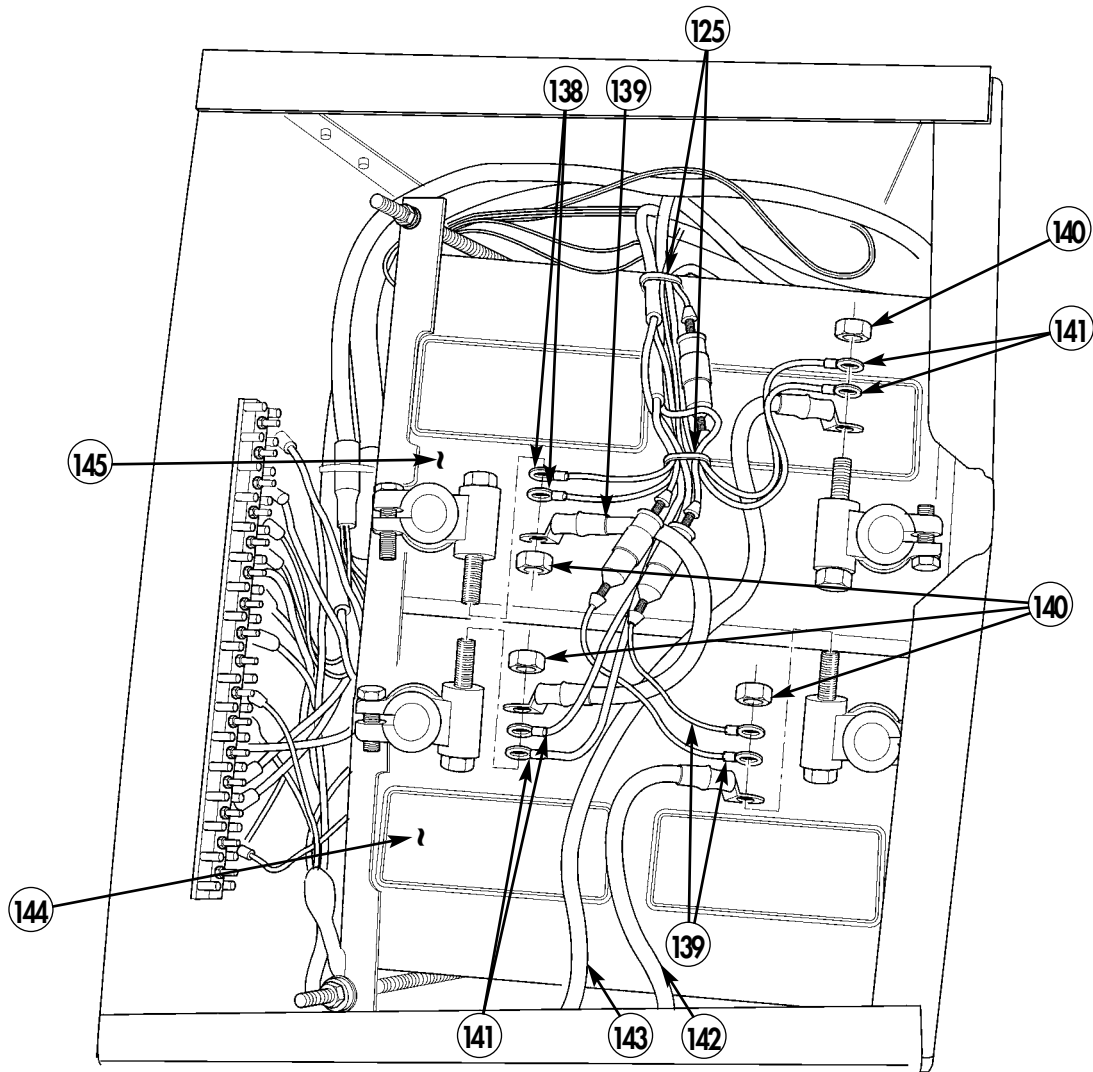
125. TIEDOWN STRAP – MS3367-1-0 – QTY. A/R

Figure 5-132.

NOTE

Two charger cables connect to each battery. Connect positive and negative leads respectively.

- 35-71. Connect charger cable positive leads (138) to left and right rear batteries (145) and (144).
- 35-72. Connect charger cable negative leads (141) to left and right rear batteries (145) and (144).
- 35-73. Connect battery-to-battery cable (139) to left and right rear batteries (145) and (144).
- 35-74. Secure cables to batteries (145) and (144) with nuts (140).
- 35-75. Secure cables with tiedown straps (125).
- 35-76. Connect shunt cable (143) to left rear battery (145).
- 35-77. Connect solenoid cable (142) to right rear battery (144).



- 125. TIEDOWN STRAP – MS3367-1-0 – QTY. A/R
- 138. CABLE (BATTERY TO BATTERY) – RCSK 19639 – QTY. 1
- 142. CABLE (SOLENOID TO REAR BATTERY) – RCSK 19644 – QTY. 1
- 143. CABLE (SHUNT TO REAR BATTERY) – RCSK 19643 – QTY. 1

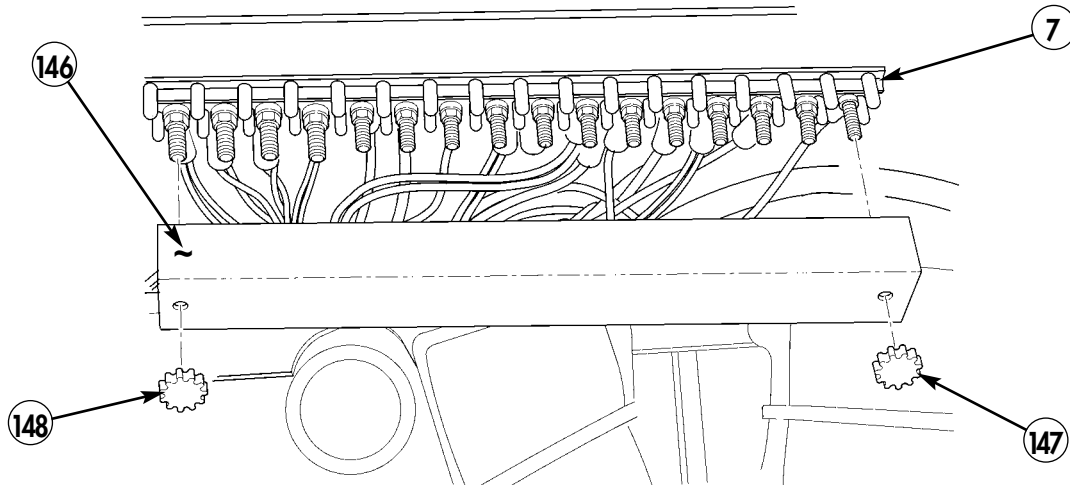
Figure 5-133.

- 35-78.** Install terminal cover (146) on terminal block (7). Secure terminal cover (146) to terminal block (7) with nuts (147) and (148).

NOTE

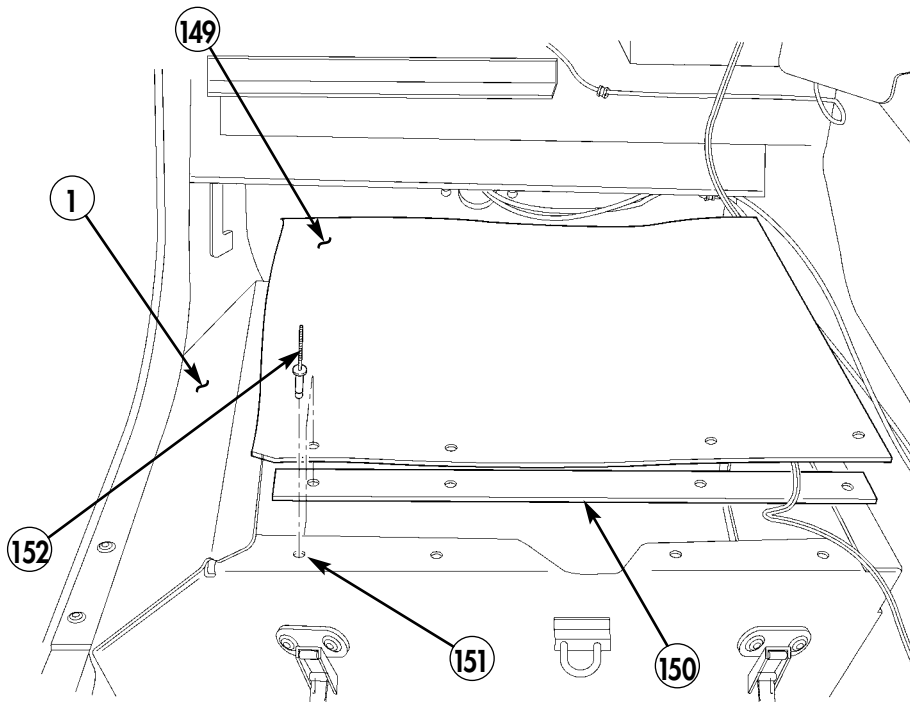
Use aluminum flat bar as template to drill holes.

- 35-79.** Drill four 0.156-in. diameter holes (151) in lip of battery box (1).
35-80. Install rubber sheet (149) and aluminum flat bar (150) on battery box (1) with four rivets (152).



- 146. TERMINAL COVER – MS18029-IL-16 – QTY. 1**

Figure 5-134.



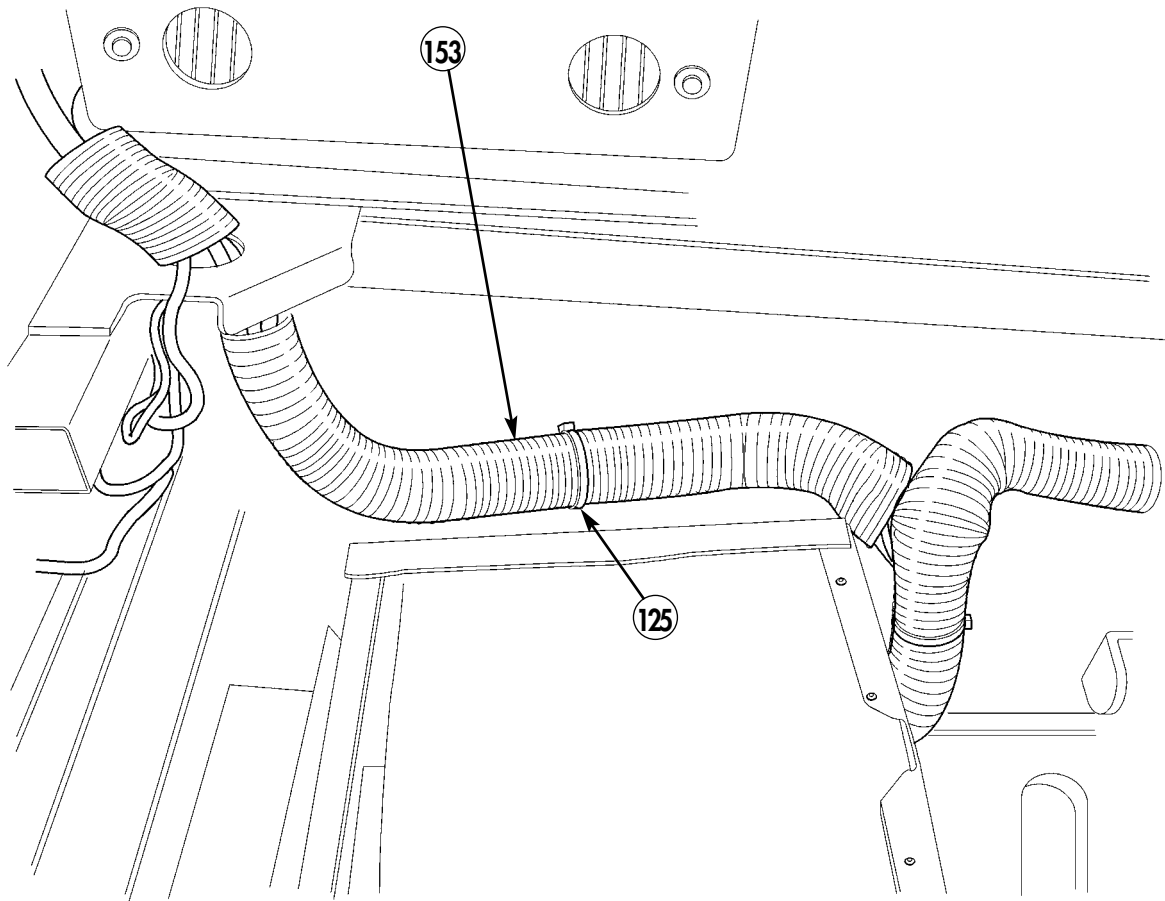
- 149. RUBBER SHEET – N/A – QTY. 1**
150. ALUMINUM FLAT BAR – (PART OF PKMM 000-017) – QTY. 1
152. RIVET – M24243/1A403 – QTY. 4

Figure 5-135.

NOTE

Bundle any excess cable with tiedown straps and place behind multi-net rack.

35-81. Install convoluted tubing (153) over cabling with tiedown straps (125).



153. CONVOLUTED TUBING – N/A – QTY. A/R

Figure 5-136.

By Order of the Secretary of the Army:

PETER J. SCHOOMAKER
General, United States Army
Chief of Staff

Official:



SANDRA R. RILEY
Administrative Assistant to the
Secretary of the Army
0520911

Distribution:

To be distributed in accordance with the Initial Distribution Number (IDN) 344825 requirements for TB 9-2320-280-35-11.

RECOMMENDED CHANGES TO PUBLICATIONS AND BLANK FORMS For use of this form, see AR 25-30; the proponent agency is ODISC4.	Use Part II (reverse) for Repair Parts and Special Tools Lists (RPSTL) and Supply Catalogs/Supply Manuals (SC/SM).	DATE: <p style="text-align: center;">5 Dec. 2005</p>
---	--	--

TO: (Forward to proponent of publication or form) (include ZIP code) AMSTA-LC-LMIT/Tech Pubs, TACOM-RI 1 Rock Island Arsenal Rock Island, IL 61299-7630	FROM: (Activity and location) (include ZIP code) <p style="text-align: center;">Co. B, 1st BN, 2nd Brigade Ft. Hood, TX 76445</p>
---	---

PART I - ALL PUBLICATIONS (EXCEPT RPSTL AND SC/SM) AND BLANK FORMS

PUBLICATION/FORM NUMBER <p style="text-align: center;">TB 9-2320-280-35-11</p>	DATE <p style="text-align: center;">17 SEP 2005</p>	TITLE <p style="text-align: center;">TECHNICAL BULLETIN INSTALLATION INSTRUCTIONS</p>
--	---	---

ITEM NO.	PAGE NO.	PARA-GRAPH	LINE NO.*	FIGURE NO.	TABLE NO.	RECOMMENDED CHANGES AND REASON (Provide exact wording of recommended changes, if possible)
1	5-45		25-9	5-63		<p>Measurement for rear step should be 19 inches, otherwise sits over gap of inset.</p>

SAMPLE

**Reference to line numbers within the paragraph or subparagraph.*

TYPED NAME, GRADE, OR TITLE <p style="text-align: center;">Pat Smith</p>	TELEPHONE EXCHANGE/AUTOVON, PLUS EXTENSION <p style="text-align: center;">AV272-4162</p>	SIGNATURE <p style="text-align: center;"><i>Pat Smith</i></p>
--	--	--

TO: <i>(Forward direct to addressee listed in publication)</i> AMSTA-LC-LMIT/Tech Pubs, TACOM-RI 1 Rock Island Arsenal Rock Island, IL 61299-7630	FROM: <i>(Activity and location) (include ZIP code)</i>	DATE:
--	---	-------

PART II - REPAIR PARTS AND SPECIAL TOOLS LISTS AND SUPPLY CATALOGS/SUPPLY MANUALS

PUBLICATION/FORM NUMBER TB 9-2320-280-35-11	DATE 17 SEP 2005	TITLE TECHNICAL BULLETIN INSTALLATION INSTRUCTIONS
--	---------------------	--

PAGE NO.	COLM NO.	LINE NO.	NATIONAL STOCK NUMBER	REFERENCE NO.	FIGURE NO.	ITEM NO.	TOTAL NO. OF MAJOR ITEMS SUPPORTED	RECOMMENDED ACTION
<h1>SAMPLE</h1>								

PART III - REMARKS *(Any general remarks or recommendations, or suggestions for improvement of publications and blank forms. Additional blank sheets may be used if more space is needed.)*

TYPED NAME, GRADE, OR TITLE			TELEPHONE EXCHANGE/AUTOVON, PLUS EXTENSION			SIGNATURE		
-----------------------------	--	--	--	--	--	-----------	--	--

RECOMMENDED CHANGES TO PUBLICATIONS AND BLANK FORMS For use of this form, see AR 25-30; the proponent agency is ODISC4.				Use Part II (reverse) for Repair Parts and Special Tools Lists (RPSTL) and Supply Catalogs/Supply Manuals (SC/SM).		DATE:
TO: <i>(Forward to proponent of publication or form) (include ZIP code)</i> AMSTA-LC-LMIT/Tech Pubs, TACOM-RI 1 Rock Island Arsenal Rock Island, IL 61299-7630				FROM: <i>(Activity and location) (include ZIP code)</i>		
PART I - ALL PUBLICATIONS (EXCEPT RPSTL AND SC/SM) AND BLANK FORMS						
PUBLICATION/FORM NUMBER TB 9-2320-280-35-11			DATE 17 SEP 2005		TITLE TECHNICAL BULLETIN INSTALLATION INSTRUCTIONS	
ITEM NO.	PAGE NO.	PARA-GRAPH	LINE NO.*	FIGURE NO.	TABLE NO.	RECOMMENDED CHANGES AND REASON <i>(Provide exact wording of recommended changes, if possible)</i>
<i>*Reference to line numbers within the paragraph or subparagraph.</i>						
TYPED NAME, GRADE, OR TITLE				TELEPHONE EXCHANGE/AUTOVON, PLUS EXTENSION		SIGNATURE

TO: <i>(Forward direct to addressee listed in publication)</i> AMSTA-LC-LMIT/Tech Pubs, TACOM-RI 1 Rock Island Arsenal Rock Island, IL 61299-7630	FROM: <i>(Activity and location) (include ZIP code)</i>	DATE:
--	---	-------

PART II - REPAIR PARTS AND SPECIAL TOOLS LISTS AND SUPPLY CATALOGS/SUPPLY MANUALS

PUBLICATION/FORM NUMBER TB 9-2320-280-35-11	DATE 17 SEP 2005	TITLE TECHNICAL BULLETIN INSTALLATION INSTRUCTIONS
--	-------------------------	--

PAGE NO.	COLM NO.	LINE NO.	NATIONAL STOCK NUMBER	REFERENCE NO.	FIGURE NO.	ITEM NO.	TOTAL NO. OF MAJOR ITEMS SUPPORTED	RECOMMENDED ACTION

PART III - REMARKS *(Any general remarks or recommendations, or suggestions for improvement of publications and blank forms. Additional blank sheets may be used if more space is needed.)*

--

TYPED NAME, GRADE, OR TITLE	TELEPHONE EXCHANGE/AUTOVON, PLUS EXTENSION	SIGNATURE
-----------------------------	--	-----------

RECOMMENDED CHANGES TO PUBLICATIONS AND BLANK FORMS For use of this form, see AR 25-30; the proponent agency is ODISC4.				Use Part II (reverse) for Repair Parts and Special Tools Lists (RPSTL) and Supply Catalogs/Supply Manuals (SC/SM).		DATE:
TO: <i>(Forward to proponent of publication or form) (include ZIP code)</i> AMSTA-LC-LMIT/Tech Pubs, TACOM-RI 1 Rock Island Arsenal Rock Island, IL 61299-7630				FROM: <i>(Activity and location) (include ZIP code)</i>		
PART I - ALL PUBLICATIONS (EXCEPT RPSTL AND SC/SM) AND BLANK FORMS						
PUBLICATION/FORM NUMBER TB 9-2320-280-35-11			DATE 17 SEP 2005		TITLE TECHNICAL BULLETIN INSTALLATION INSTRUCTIONS	
ITEM NO.	PAGE NO.	PARA-GRAPH	LINE NO.*	FIGURE NO.	TABLE NO.	RECOMMENDED CHANGES AND REASON <i>(Provide exact wording of recommended changes, if possible)</i>
<i>*Reference to line numbers within the paragraph or subparagraph.</i>						
TYPED NAME, GRADE, OR TITLE				TELEPHONE EXCHANGE/AUTOVON, PLUS EXTENSION		SIGNATURE

TO: <i>(Forward direct to addressee listed in publication)</i> AMSTA-LC-LMIT/Tech Pubs, TACOM-RI 1 Rock Island Arsenal Rock Island, IL 61299-7630	FROM: <i>(Activity and location) (include ZIP code)</i>	DATE:
--	---	-------

PART II - REPAIR PARTS AND SPECIAL TOOLS LISTS AND SUPPLY CATALOGS/SUPPLY MANUALS

PUBLICATION/FORM NUMBER TB 9-2320-280-35-11	DATE 17 SEP 2005	TITLE TECHNICAL BULLETIN INSTALLATION INSTRUCTIONS
--	-------------------------	--

PAGE NO.	COLM NO.	LINE NO.	NATIONAL STOCK NUMBER	REFERENCE NO.	FIGURE NO.	ITEM NO.	TOTAL NO. OF MAJOR ITEMS SUPPORTED	RECOMMENDED ACTION

PART III - REMARKS *(Any general remarks or recommendations, or suggestions for improvement of publications and blank forms. Additional blank sheets may be used if more space is needed.)*

--	--	--

TYPED NAME, GRADE, OR TITLE	TELEPHONE EXCHANGE/AUTOVON, PLUS EXTENSION	SIGNATURE
-----------------------------	--	-----------

RECOMMENDED CHANGES TO PUBLICATIONS AND BLANK FORMS For use of this form, see AR 25-30; the proponent agency is ODISC4.				Use Part II (reverse) for Repair Parts and Special Tools Lists (RPSTL) and Supply Catalogs/Supply Manuals (SC/SM).		DATE:
TO: <i>(Forward to proponent of publication or form) (include ZIP code)</i> AMSTA-LC-LMIT/Tech Pubs, TACOM-RI 1 Rock Island Arsenal Rock Island, IL 61299-7630				FROM: <i>(Activity and location) (include ZIP code)</i>		
PART I - ALL PUBLICATIONS (EXCEPT RPSTL AND SC/SM) AND BLANK FORMS						
PUBLICATION/FORM NUMBER TB 9-2320-280-35-11			DATE 17 SEP 2005		TITLE TECHNICAL BULLETIN INSTALLATION INSTRUCTIONS	
ITEM NO.	PAGE NO.	PARA-GRAPH	LINE NO.*	FIGURE NO.	TABLE NO.	RECOMMENDED CHANGES AND REASON <i>(Provide exact wording of recommended changes, if possible)</i>
<i>*Reference to line numbers within the paragraph or subparagraph.</i>						
TYPED NAME, GRADE, OR TITLE				TELEPHONE EXCHANGE/AUTOVON, PLUS EXTENSION		SIGNATURE

TO: <i>(Forward direct to addressee listed in publication)</i> AMSTA-LC-LMIT/Tech Pubs, TACOM-RI 1 Rock Island Arsenal Rock Island, IL 61299-7630	FROM: <i>(Activity and location) (include ZIP code)</i>	DATE:
---	--	--------------

PART II - REPAIR PARTS AND SPECIAL TOOLS LISTS AND SUPPLY CATALOGS/SUPPLY MANUALS

PUBLICATION/FORM NUMBER TB 9-2320-280-35-11	DATE 17 SEP 2005	TITLE TECHNICAL BULLETIN INSTALLATION INSTRUCTIONS
---	----------------------------	---

PAGE NO.	COLM NO.	LINE NO.	NATIONAL STOCK NUMBER	REFERENCE NO.	FIGURE NO.	ITEM NO.	TOTAL NO. OF MAJOR ITEMS SUPPORTED	RECOMMENDED ACTION

PART III - REMARKS *(Any general remarks or recommendations, or suggestions for improvement of publications and blank forms. Additional blank sheets may be used if more space is needed.)*

--

TYPED NAME, GRADE, OR TITLE	TELEPHONE EXCHANGE/AUTOVON, PLUS EXTENSION	SIGNATURE

